



Assembly and user manual

TeleSafe XL

**TELESafe S-XL
SCAFFOLDING SYSTEMS**

The instructions for the assembly
and use shall be followed carefully



EN1004

202003-IE-1230

TABLE OF CONTENTS

1. Introduction.....	3
2. General	3
2.1 Usage	3
2.2 Necessary Additional Instructions for Usage of TeleSafe S-XL Scaffolds	4
2.3 Adjusting the height of TeleSafe Scaffolding.....	5
2.4 Check List for Usage of TeleSafe S-XL Scaffold.....	5
2.5 Examination, Storage and Maintenance	6
2.6 Disassembly of TeleSafe S-XL Scaffolds	6
2.7 Relocation of TeleSafe S-XL Scaffolds	6
2.8 Assembly and/or Repair of Spare Parts	7
2.9 Guarantee Conditions	7
2.10 Connecting the Q-Lock System	8
2.11 Locking the Wheels.....	8
2.12 Opening of Balance Foot.....	8
2.13 Check List.....	8
2.14 Labels Used on Telesafe Scaffolding System.....	9
2.15 TeleSafe Scaffold System Compounds.....	10
2.16 TeleSafe S-XL Scaffold Configuration Table.....	11
3. TeleSafe S-XL Aluminum Scaffold System Assembly Method.....	12
3.1 TeleSafe S004 XL Scaffold Assembly Method	12
3.2 TeleSafe S005-XL Scaffold Assembly Method	14
3.3 TeleSafe S006-XL Scaffold Assembly Method	16
3.4 TeleSafe S007-XL Scaffold Assembly Method	18
3.5 TeleSafe S008-XL Scaffold Assembly Method	20
4. TeleSafe S-XL Aluminum Scaffold System 3D Images.....	22

1. Introduction

This assembly and usage hand book is prepared for the usage of Double Part Scaffolds (Telesafe S-XL) which will be referred to as TeleSafe Scaffolds together its configuration.

Carefully read these instructions before assembling TeleSafe Scaffolds. The required scaffold should be assembled and used in accordance with these instructions.

All instructions in this handbook must be exactly complied with.

In case of failure to comply with the instructions of this handbook an accident may occur. Çağsan Merdiven shall not be responsible for assembly and usage of TeleSafe Scaffolds manufactured by Çağsan Merdiven Company in violation to this handbook.

Employer, supervisor and user shall be responsible for the correct usage of the scaffold in accordance with this handbook and to keep this handbook ready where TeleSafe Scaffold is used.

2. General

For Standard TeleSafe Scaffold configurations see the configurations table in this handbook.

TeleSafe Scaffold can only be assembled, disassembled or modified under the supervision of an authorized person and by people who are trained for the related specific risks;

- Understanding of assembly, disassembly or transformation plan of TeleSafe Scaffolds;
- Assembly, disassembly or transformation of TeleSafe Scaffolds securely;
- Measures for prevention of risks towards people or objects; Safety measures for weather conditions which may negatively affect security of the TeleSafe Scaffolds
- Permitted load;

- Other risks to occur as a result of above mentioned assembly, disassembly or transformation works.

The people who are responsible for the job shall be able to reach this handbook.

Only original Çağsan Merdiven parts should be used for assembly.

Standard Çağsan Merdiven - TeleSafe Scaffold configurations meet the European Standard EN1004.

Please take in consideration the national or local regulations before using the working tower. If available and possible to perform successfully the people working on the fitting should be connected to the outer wall for additional personal security. People should not connect themselves to the scaffold unless scaffold is fixed to the wall.

2.1 Usage

Çağsan Merdiven TeleSafe Scaffolds can be used in heights mentioned on below chart.

Product	Max Platform Height	
	Indoor	Outdoor
TeleSafe S004XL	2,75 m.	2,75 m.
TeleSafe S005XL	3,83 m.	3,83 m.
TeleSafe S006XL	4,42 m.	4,42 m.
TeleSafe S007XL	5,23 m.	5,23 m.
TeleSafe S008XL	6,05 m.	6,05 m.

- Maximum load per platform should be **186 kg.**
- TeleSafe XL Scaffolds are manufactured according to loading **Class 3 (2 kN/m²)**
- **TS EN 1004-3-6,05/6,05-H2-XXXD**
- **TUV EN 1004-3-6,05/6,05-H2-XXXD**
- The horizontal loads that result from the works to be made on TeleSafe Scaffolds and which exceed 30 kg should not be permitted.
- If there are excessive winds, TeleSafe Scaffolds should be fixed.
- TeleSafe Scaffolds can only be used on horizontal, straight and solid surfaces.
- TeleSafe Scaffolds should not be used

with wind speed more than 38 km/h (max. 6 Beaufort)

- TeleSafe Scaffolds should not be used with storm, snow, ice, excessive rain or lightning
- Do not lift or hold with a crane Tele-Safe Scaffolds.
- The scaffolding should not be dragged by a vehicle.
- TeleSafe Scaffolds should not be used for access to other structures.
- Standard configuration calculations don't include canvas and/or advertisement display usage calculations.

2.2 Necessary Additional Instructions for Usage of TeleSafe Scaffolds

- While working with TeleSafe Scaffolds working shoes, working gloves and helmet must be worn.
- TeleSafe Scaffolds should not be climbed from outer side and support, cross and horizontal parts should never be stepped on.
- Don't increase the height of the platform you are working on with a ladder, crate etc. (Diagram 1)
- The floor measurements of the platforms of the scaffold cannot be increased by using different materials.
- Lifting equipment usage on the TeleSafe Scaffolds should not be permitted. This may seriously affect the balance. (Diagram 2)
- The parts and tools on the working

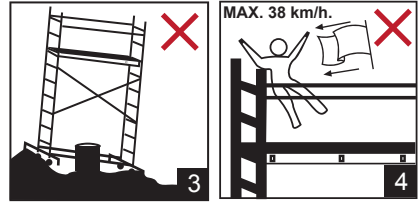


floor of TeleSafe Scaffolds can only be manually carried

- If TeleSafe Scaffolds are to be placed on a soft surface, there should be protection plates or U-profiles under the wheels, (Diagram 3)
- Wind load should be taken into consideration in areas that are affected

by wind such as open constructions, building corners etc. Scaffold usage should be stopped under wind powers that exceed 38 km/h (max. 6 Beaufort). It should not be transferred. If possible it should be fixed to the wall and Tele-Safe Scaffold should be transferred to a place without wind when the wind power decreases. (Diagram 4)

- National regulations and the measures

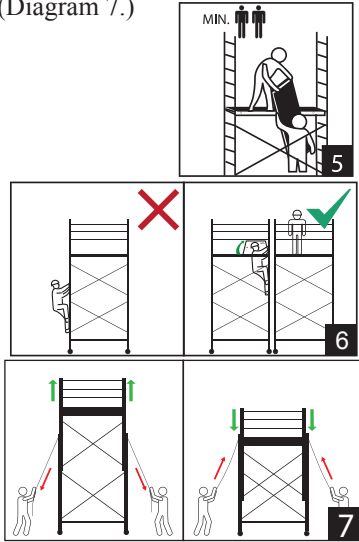


should be taken into consideration for the wind loads.

- Additional working platform and other objects should not be placed on the outer side of TeleSafe Scaffolds.
- The vertical line of the TeleSafe Scaffolds should not be bent to exceed 1%. Therefore the variation at 4 meter height should not exceed 4 cm.
- Take necessary precautions towards the weather conditions to work safely on TeleSafe Scaffolds.
- Take necessary precautions towards the environmental factors to work safely on TeleSafe Scaffolds.
- Never leave TeleSafe Scaffolds without someone to take care of it. Prevent unauthorized people to access the scaffold.
- It is forbidden to mix scaffold parts of different brands/manufacturers, this mixture may cause a danger for the safety since load and balance calculation is not made for this mixture configuration.
- The working area around TeleSafe Scaffolds should be taken under cords by using pins and/or signing straps.
- Ensure the operation of TeleSafe Scaffolds is always prioritized.
- At least 2 people must work for the installation of TeleSafe Scaffolding. (Diagram 5)
- Do not access to platform from outside. Access to platform from inside by

using trapdoor to access on the platform. (Diagram 6.)

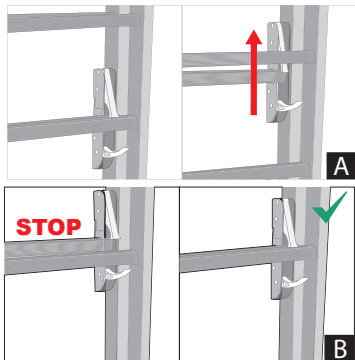
- The height of TeleSafe Scaffoldings can be adjusted by two people operating the rope system at the same time. (Diagram 7.)



2.3 Adjusting the height of Tele-Safe Scaffoldings

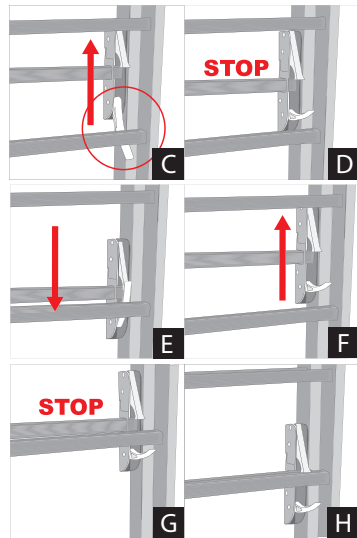
a) Extending the scaffolding

- Pull the rope down until the latch system is over the next step. (Figure A)
- When the upper latch passes the next step, slowly lower the rope-operated system. (Figure B)
- Repeat the process until you reach the desired height.



b) Lowering the scaffold

- Pull the rope down until the latch system is drifted away from the step (C) Stop when the latch system is drifted away from the step (D).
- Lower the scaffolding from both sides at the same time (E). Stop lowering the scaffolding when you reach the desired height (F). By pulling down the rope-operated system let the upper latch go over the step (G).
- Settle the latch on the step by lowering the rope slowly (H).



2.4 Check List for Usage of Tele-Safe Scaffold

In the first usage or reuse of an already installed TeleSafe Scaffold that the following should be considered:

- The product is suitable for usage with TeleSafe Scaffoldings.
- TeleSafe Scaffoldings allows safe operation in the immediate vicinity of the assembly point.
- TeleSafe Scaffoldings can be used safely.
- Surface is horizontal, straight and can carry necessary load amount.
- Environmental factors such as the opening doors, automatically used

sunshades, electricity cables above, traffic and/or the people crossing the road etc. shall not cause danger.

- The area necessary to assemble and usage of TeleSafe Scaffolds should be without barriers.
- All necessary parts and security tools are available on the working area.
- Damaged parts or parts other than those mentioned shall not be used.
- TeleSafe Scaffolds is assembled in accordance with this handbook and configuration table.
- Maximum installation height is not exceeded.
- TeleSafe Scaffolds is assembled in a way that in can be climbed inside.
- Wheels are correctly placed, aligned and brake is applied.
- Frames are correctly mounted and fixed with pins.
- Horizontal and diagonal braces are correctly mounted and fixed with Q-Lock.
- Lateral feet (supports) are correctly mounted.
- TeleSafe Scaffolds is vertical (check by using level).
- TeleSafe Scaffold is balanced.
- Platforms are corrected in right places and wind security lock is placed.
- There are resting platforms with at least 4 meter distances.
- TeleSafe Scaffold compounds should be controlled and configuration should be examined in every installation.
- All locking pins are on their actual location on the scaffold and are locked.

2.5 Examination, Storage and Maintenance

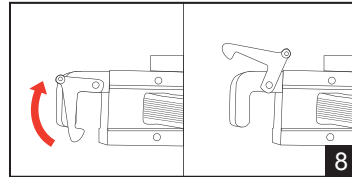
- TeleSafe Scaffold parts should be carried and transported carefully in order to avoid damages.
- Storage should be organized in a way that it will only contain number of parts necessary for the correct installation of TeleSafe Scaffold.
- All moving parts should be checked for correct operation and it should be ensured that they are not worn.

- All parts should be checked for damages. Damaged or unsuitable parts should not be used.
- Damaged parts should be returned to the manufacturer for examination.
- It is recommended to examine the TeleSafe Scaffolds for professional usage by an expert every year.
- TeleSafe Scaffolds should be examined again before each usage and in emergencies such as a storm.
- When you are not using the scaffolding, it should be tied to a solid place. (e.g. outer wall, etc..)

2.6 Disassembly of TeleSafe Scaffolds

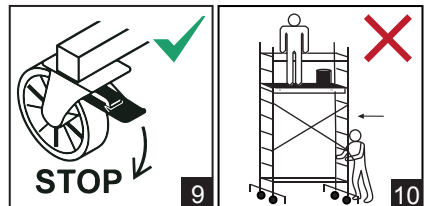
TeleSafe Scaffolds should be disassembled by following the assembling instructions backwards.

Wind locks should be open and taken out of their places when disassembling the platforms. (Diagram 8)



2.7 Relocation of TeleSafe Scaffolds

- Stabilizers should be lifted maximum 10 cm in order to move TeleSafe Scaffolds.
- The wheeled foot are released by pressing the brake pedals. (Diagram 9)
- While moving TeleSafe Scaffolds, there shouldn't be anyone and/or any material on the scaffold and there shouldn't be any missing compound (Diagram 10)



- Environmental factors such as the previously opened doors, windload, shades, automatically used sunshades, electricity cables above, traffic and/or the people crossing the road etc. should be examined while moving TeleSafe Scaffold in order to prevent danger.
- The place of the TeleSafe Scaffold should only be changed lengthways or towards cross direction on a surface that carries enough flat, horizontal and enough load manually.
- Ensure that TeleSafe Scaffolds does not tilt while moving.
- Right after relocation of TeleSafe Scaffold, brake pedals should be pushed and wheeled legs should be engaged and locked.
- After relocation, scaffold needs to be horizontally aligned again, this should be done by using a level.
- Adjust all stabilizers in a way that they will all contact with the surface.

2.8 Assembly and/or Repair of Spare Parts

Take into account the national regulations for inspections, maintenance and repair of the working towers.

The spare parts provided by Çağsan Merdiven should be assembled on the right product and in the same way as the replaced part.

If assembly (connection) and/or repairs are performed by the customer, risk and expenses shall belong to the customer. Çağsan Merdiven shall not be responsible for damages resulting from wrong assembly and/or repair.

Çağsan Merdiven may provide services for the repair of your product and/or assembly of the said part with payment

2.9 Guarantee Conditions

Related Çağsan Merdiven product is designed, manufactured carefully and its necessary quality controls are performed. If this product is used in compliance with this instruction and its usage purpose it

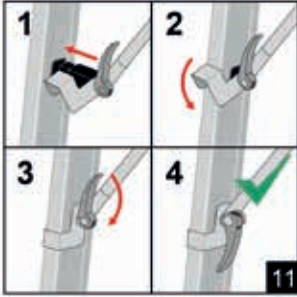
shall be under the guarantee with the following conditions:

4. Çağsan Merdiven guarantees the reliability of the product and the quality of the materials used for the product.
5. If there is a fault in production, the faulty part or the product is replaced under the guarantee scope and the problem is solved.
6. The faults that are not covered with the guarantee are those stated below:
 - a) Usage of product in violation of usage purpose and usage instructions.
 - b) Normal wear and tear of the product.
 - c) Assembly or repair performed by the customer or third parties (the replacement of spare parts provided by Çağsan Merdiven as shown in the 2nd article above is excluded).
7. The faults determined during product delivery should be immediately informed to Çağsan Merdiven. If these faults are not immediately informed the guarantee shall be void. In order to make a request under the guarantee scope, Çağsan Merdiven or Çağsan Merdiven dealer should be informed about the product delivery and an invoice should be submitted.
8. Product faults should be declared to Çağsan Merdiven or Çağsan Merdiven dealer as soon as possible but within 7 days after the determination of the fault at the latest.
9. a) If a request is made under the guarantee conditions, Çağsan Merdiven product shall be examined by Quality Department. Customer needs to deliver the product to Çağsan Merdiven for this purpose. If during the examination it is determined that the product was inappropriately used, examination expenses shall be requested from the customer.
 - b) If customer requests the examination to be made by an independent organization and if as a result of the examination it is determined that the product was used inappropriately, examination expenses shall be covered by the customer. Even if

Çağsan Merdiven requested a free repair or replacement of the product before the examination, the expenses shall belong to the customer again.

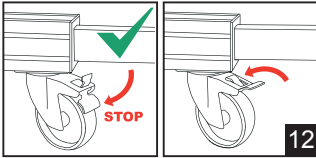
2.10 Connecting the Q-Lock System

The horizontal and cross-links with the Q-Lock system should be fitted to the stair step holes with the metal lock facing downwards and the Q-Lock latch to be tightened. (Diagram 11)

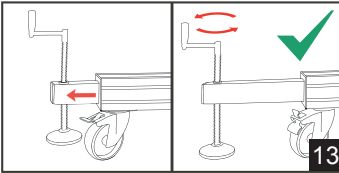


2.11 Locking of Wheels

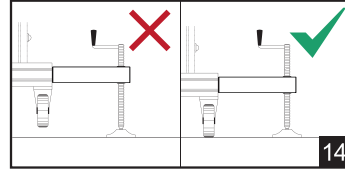
You must press down on the brake pedal to lock the wheels. To open the wheel lock, you need to lift the brake pedal upwards. (Figures 12)



2.12 Opening of Balance Foot



To fix the balance of the scaffold, pull the arms on the balance legs towards you and turn them clockwise to secure the feet. (Diagram 13)



Don't lift the Wheels off the ground. (Diagram 14)

2.13 Check List

If defects are ascertained, the affected components must not be used again.

Aids and safety device.

It is checked if all components, tool and safety devices (ropes, etc.) for the assembly of the mobile access and working tower on the application site are available.

Ladders

- Check for any damage and cracks on the carrier profiles and step profiles. (Control physically by eye)

Horizontal and diagonal braces

- Check for any damage and cracks, check that the fixture is working properly. Make sure braces fit firmly. Check that Q-locks are not cracked or wrapped. (Control physically by hand)

Platforms

Check for warping, crushing, cracks and correct functioning of the fastening elements.

- Check the condition of the wood.
- Check the trapdoors for correct functioning. (Control physically by eye)

Toeboards

- Check the condition of the wood.
- Check the toeboards for cracking. (Control physically by eye)

Wheeled balance foot

- Check that the wheel is working properly and the brake does not turn the wheel.
- Check that each balance foot is easily moved and adjusted. (Control physically by hand)

2.14 Labels Used on Telesafe Scaffolding System

EN

TeleSafe XL

UYARI / WARNING / WARNUNG
İŞKELLELERİ KULLANMADAN KULLANMAYIN.
USE THE SCAFFOLDING AS SHOWN AT THE PICTURES.
VERWENDE DIE GERÜSTE NUR IN DEN BILDERN ANGEZEIGTEN ANWEISUNGEN.

*Montaj ve kullanım talimatları dikkatlice takip edilmelidir.
 *The instructions for the assembly and use shall be followed carefully
 *Die Anweisungen für die Montage und Verwendung sind sorgfältig zu befolgen

İskeleler yerden tutulmamalıdır.
Don't lift the wheels off the ground.
Heben sie die räder nicht vom boden ab.

İskeleler dışarıdan tutulmamalıdır.
Do not stretch outside!
Nicht nach draußen klettern!

ÜRETİM TARİHİ/PRODUCTION DATE/HERSTELLUNGSDATUM

Protection
 TÜV SÜD
 TÜV SÜD
 TÜV SÜD

EN 1004
TS EN 1004-3-6,05/6,05-H2-XXXX

TSE

S004 XL

İki Parçalı İskele XL
 Double Part Scaffolding XL
 Zweiteiliges Gerüst XL

TeleSafe

A (m.)	B (m.)	C (m.)
2,50	3,90	2,75
2x8	101,4 kg.	
75-225x38 cm.		

TSE **YERLİ ÜRETİM**

Certificate
 EN 1004
 Norm

TÜV SÜD

8 4697817 587507

ÇAĞSAN MERDİVEN

ÜRETİCİ/MANUFACTURER/HERSTELLER

ÇAĞSAN MERDİVEN
 VE ERİŞİM EKİPMANLARI SAN.TİC.LTD.ŞTİ.
 GEZİME FABRİKA: Uludağ OSB, 7. Köyü, Meriç, Çad. No:1 Muallim Köyü, Gebze-KOCAELİ/TÜRKİYE
 Tel: +90 282 750 18 08 Fax: +90 282 750 18 78
 BALIKESİR FABRİKA: Balıkesir OSB, Çiğdemçayırı
 OSB Alan 71 Cad. No. 14, Alayut-BALIKESİR/TÜRKİYE
 Tel: +90 266 244 43 40

www.cagsanmerdiven.com

UYARI!
 Statik boyak (sarı) bağlantı aparatlarına sahip iskeleler EN1004 standartlarına gereğince dış mekan kullanımına uygun değildir, sadece iç mekanda kullanılmaktadır.

2.15 TeleSafe XL Scaffold System Compounds



15 Steps
Extension Ladder
S004XLMTK



13 Steps
Extension Ladder
S007XLMTK



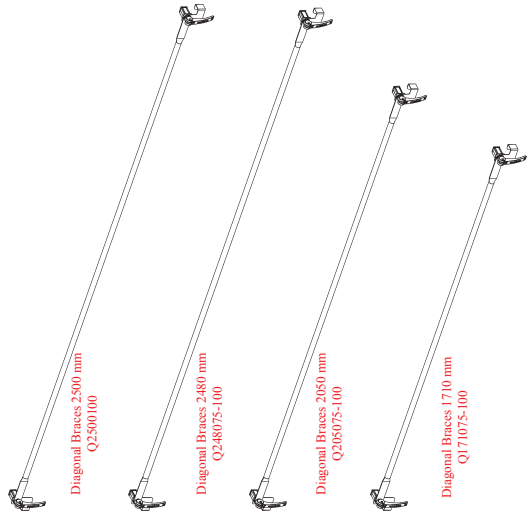
11 Steps
Extension Ladder
S006XLMTK



10 Steps
Extension Ladder
S005XLMTK



8 Steps
Extension Ladder
S004XLMTK

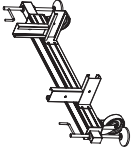


Diagonal Braces 2500 mm
Q2-500100

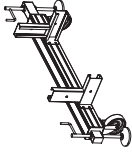
Diagonal Braces 2480 mm
Q2-48075-100

Diagonal Braces 2050 mm
Q2-075-100

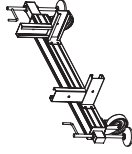
Diagonal Braces 1710 mm
Q1-1075-100



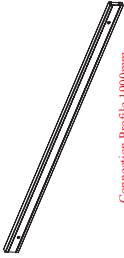
Lockable Wheels and Stabiliser Feet 1220mm
DA040506XL



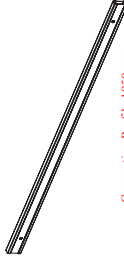
Lockable Wheels and Stabiliser Feet 1480mm
DA07XL



Lockable Wheels and Stabiliser Feet 1540mm
DA08XL



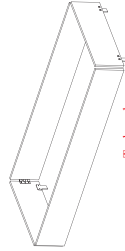
Connection Profile 1900mm
75251908SOM



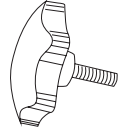
Connection Profile 1950mm
75251950SOM



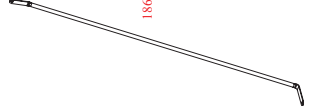
Platform 60cm
PLT135360



Techeard
TEK-45678XL



Bakelite Head Bolt
AKS000000003



1860mm Stabiliser Supports
DBR 110001860

2.16 TeleSafe Scaffold System Configuration Table

			S004XL	S005XL	S006XL	S007XL	S008XL
Platform Height (m.)			2,75	3,83	4,42	5,23	6,05
Working Height (m.)			4,55	5,63	6,22	7,03	7,85

EN

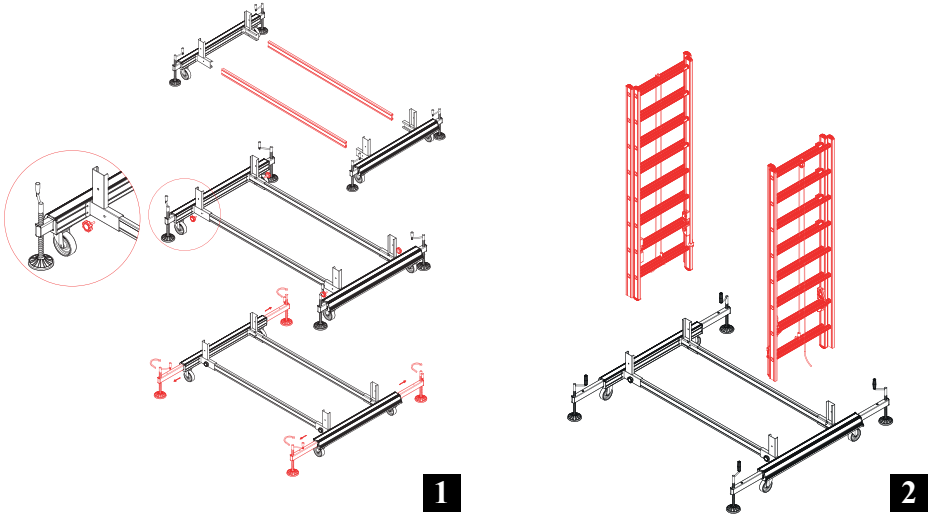
60x155 cm.	Description	Code	Weight (kg.)	Pieces				
				S004XL	S005XL	S006XL	S007XL	S008XL
	8 Steps Extension Ladder	S004XLMTK	10,7	2	-	-	-	-
	10 Steps Extension Ladder	S005XLMTK	14,7	-	2	-	-	-
	11 Steps Extension Ladder	S006XLMTK	17	-	-	2	-	-
	13 Steps Extension Ladder	S007XLMTK	19,2	-	-	-	2	-
	15 Steps Extension Ladder	S008XLMTK	28,4	-	-	-	-	2
	Lockable Wheels and Stabilizer Feet 1220mm	DA040506XL	13,8	2	2	2	-	-
	Lockable Wheels and Stabilizer Feet 1480mm	DA07XL	14,5	-	-	-	2	-
	Lockable Wheels and Stabilizer Feet 1540mm	DA08XL	15,7	-	-	-	-	2
	Connecting Profile 1900mm	75251900SOM	1,4	2	2	2	2	-
	Connecting Profile 1950mm	75251950SOM	1,4	-	-	-	-	2
	Platform 60cm	PLT155x60	12	1	1	1	2	2
	Toeboard	TEK45678XL	8,5	1	1	1	1	1
	Bakelit Head Bolt	AKS000000003	0,46	8	8	8	16	16
	Horizontal Braces 1710mm	Q171075-100	1,8	6	8	8	8	8
	Diagonal Braces 2050mm	Q205075-100	1,6	2	2	2	2	2
	Diagonal Braces 2480mm	Q248075-100	2	2	2	2	2	-
	Diagonal Braces 2500mm	Q2500100	2	-	-	-	-	4
	1860 mm Stabiliser Supports	DBR110001860	1,2	4	4	4	4	4
	Total Weight			104,3	112,3	112,8	138,7	153,1

Description	Code	Dimensions (mm.)
8 Steps Extension Ladder	S004XLMTK	130x2300x750
10 Steps Extension Ladder	S005XLMTK	130x2800x750
11 Steps Extension Ladder	S006XLMTK	130x3100x750
13 Steps Extension Ladder	S007XLMTK	130x3650x750
15 Steps Extension Ladder	S008XLMTK	170x4200x750
Lockable Wheels and Stabilizer Feet 1220mm	DA040506XL	300x1220x460
Lockable Wheels and Stabilizer Feet 480mm	DA07XL	300x1480x460
Lockable Wheels and Stabilizer Feet 1540mm	DA08XL	300x1540x460
Connecting Profile 1900mm	75251900SOM	75x25x1900
Connecting Profile 1950mm	75251950SOM	75x25x1950
Platform 60cm	PLT155x60	1750x100x600
Toeboard	TEK45678XL	2200x200x50
Bakelit Head Bolt	AKS000000003	65x65x65
Horizontal Braces 1710mm	Q171075-100	1730x100x60
Diagonal Braces 2050mm	Q205075-100	2070x100x60
Diagonal Braces 2480mm	Q248075-100	2500x100x60
Diagonal Braces 2500mm	Q2500100	2530x110x70
1860 mm Stabiliser Supports	DBR110001860	1860x150x30

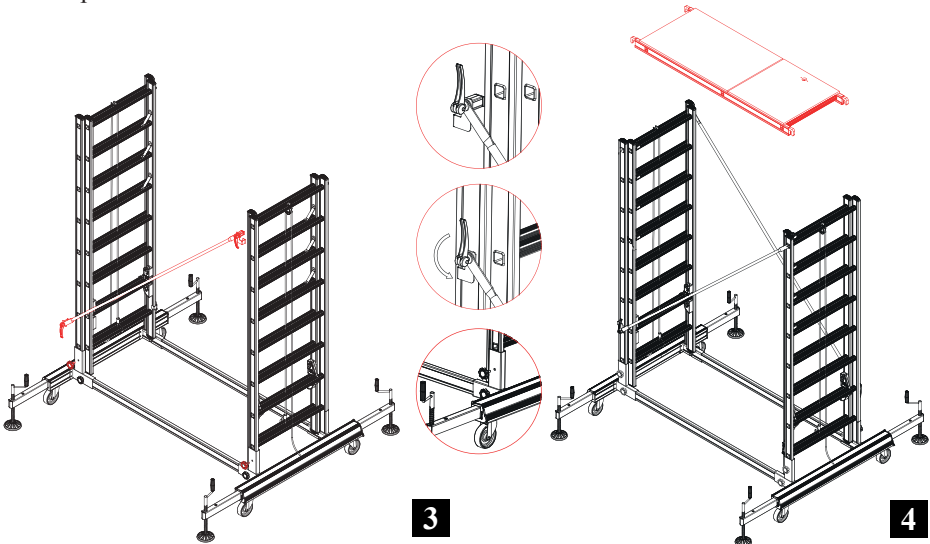
3. TeleSafe Scaffold Assembly Method

3.1 TeleSafe S004 XL Scaffold Assembly Method

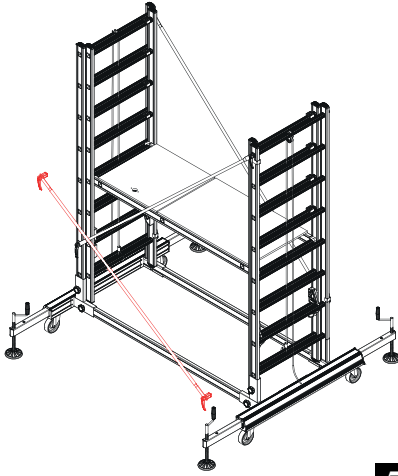
(Figure-1) Insert the 2 piece bonding profiles into their places. Screw the bakalite bolts (clockwise rotation) by hand until they are fully placed. **(Figure-2)** Insert the aluminium ladders (narrow ones opposingly and the wide ones opposingly) into the canals on the chassis.



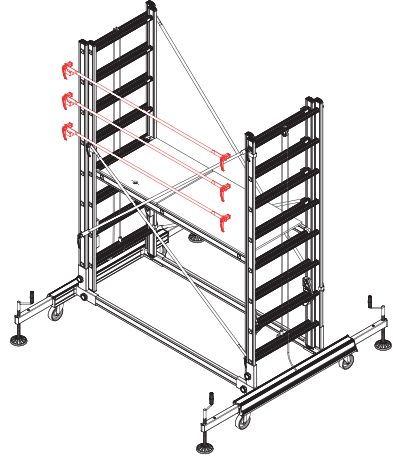
(Figure-3) Screw the bakalite bolts (clockwise rotation) by hand until they are fully placed. Fix and lock long braces (2x248 cm.) with Q-Lock system in the rung holes. (for interlocking second step to eighth step) **(Figure-4)** Place the platform on the red safe step.



(Figure-5) Fix and lock braces (2x205 cm.) on both sides with Q-Lock system into the step holes of narrow extensional ladders (first step to fifth step) **(Figure-6)** Fix and lock horizontal braces (6x171 cm.) with Q-Lock system into the rung holes of narrow extensional ladders. (between sixth seventh and eighth steps for mutual attachment)

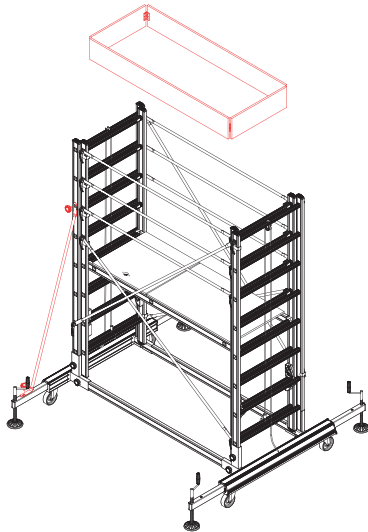


5

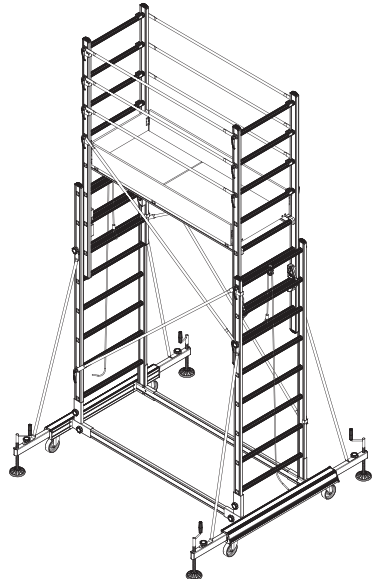


6

(Figure-7) Fix the four pieces of stabiliser (186cm.) supports from base to ladders by using hand screws and place toeboard to upper platform surface as it covers all corners. **(Figure-8)** Tower is ready to use.



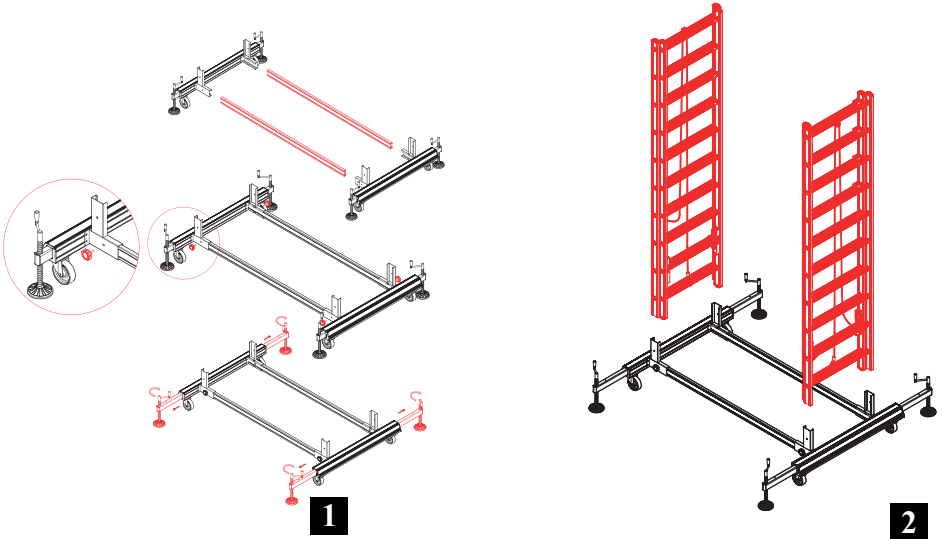
7



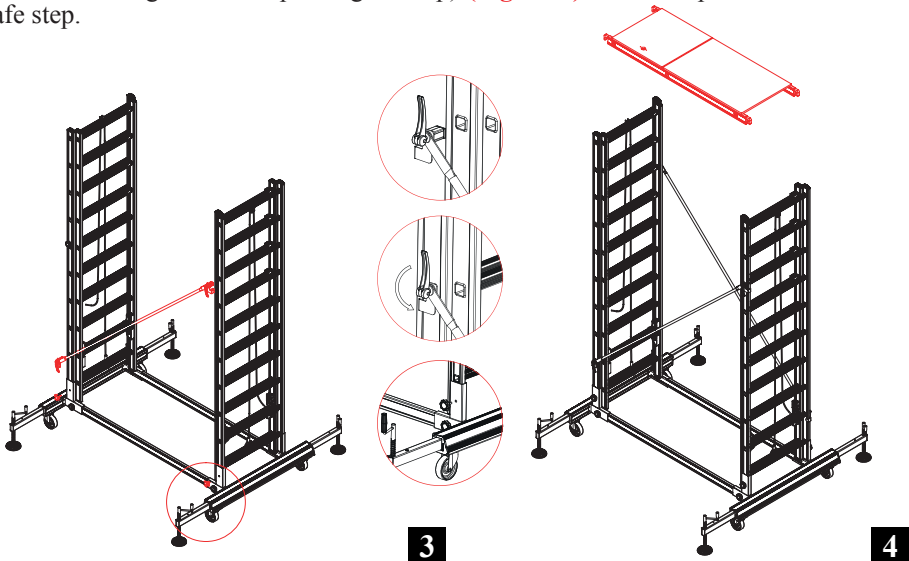
8

3.2 TeleSafe S005XL Scaffold Assembly Method

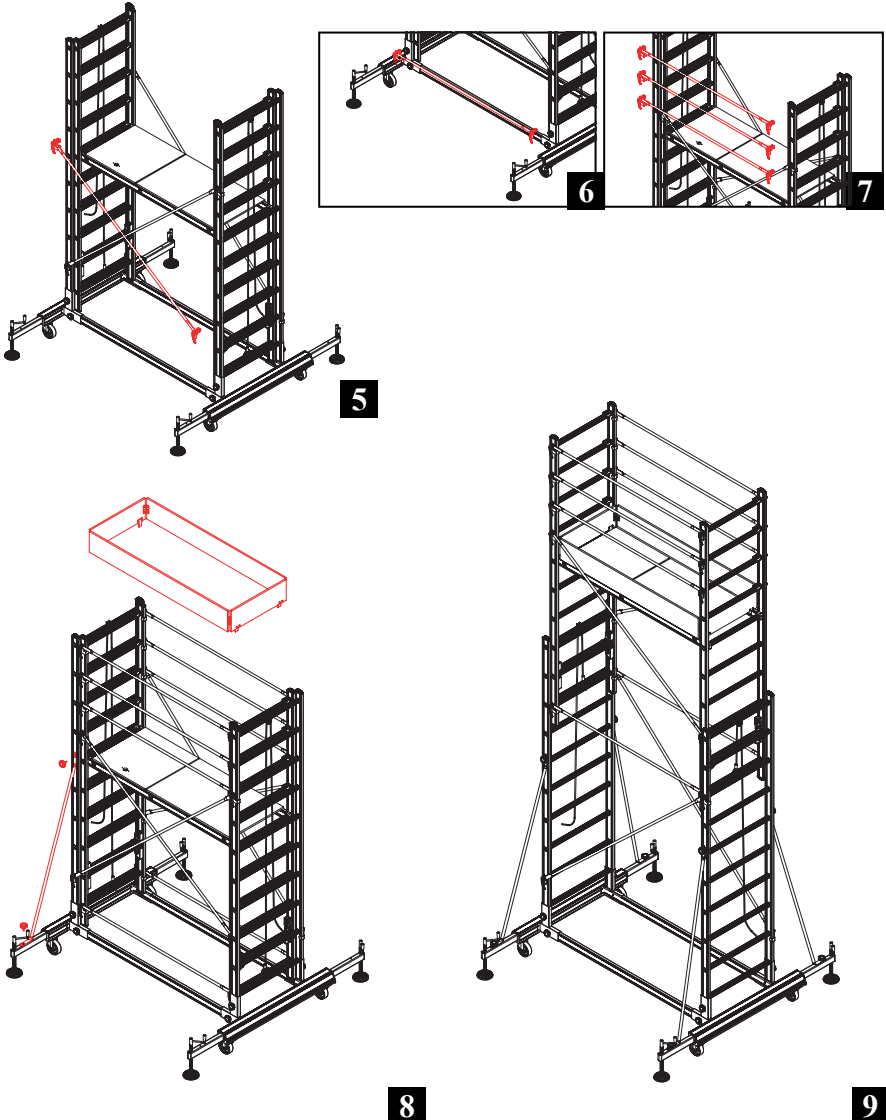
(Figure-1) Insert the 2 piece bonding profiles into their places. Screw the bakalite bolts (clockwise rotation) by hand until they are fully placed. **(Figure-2)** Insert the aluminum ladders (narrow ones opposingly and the wide ones ones opposingly) into the canals on the chassis.



(Figure-3) Screw the bakalite bolts (clockwise rotation) by hand until they are fully placed. Fix and lock long braces (2x248 cm.) with Q-Lock system in the rung holes (for interlocking second step to eighth step) **(Figure-4)** Place the platform on the red safe step.

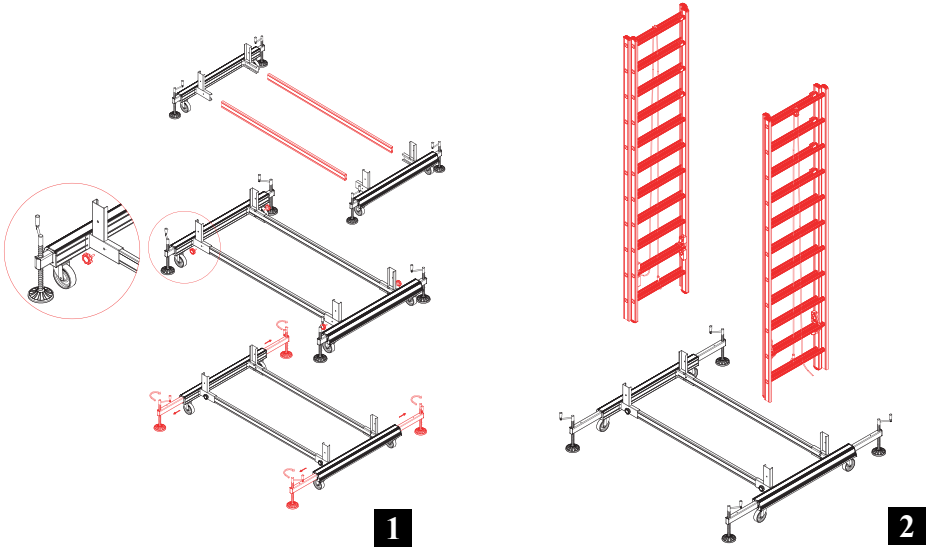


(Figure-5) Fix and lock diagonal braces (2x205 cm) on both sides with Q-Lock system into the step holes of narrow extensional ladders (third step to seventh step) **(Figure-6)** Fix and lock horizontal braces (2x171 cm.) with Q-Lock system into the step holes of narrow extensional ladder (to the first steps of the opposite ladders) **(Figure-7)** Fix and lock horizontal braces (6x171 cm.) with Q-Lock system into the rung holes of narrow extensional ladders (between eighth, ninth and tenth steps for mutual attachment) **(Figure-8)** Fix the four pieces of stabiliser (186cm.) supports from base to ladders by using hand screws and place toeboard to upper platform surface as it covers all corners. **(Figure-9)** Tower is ready to use.

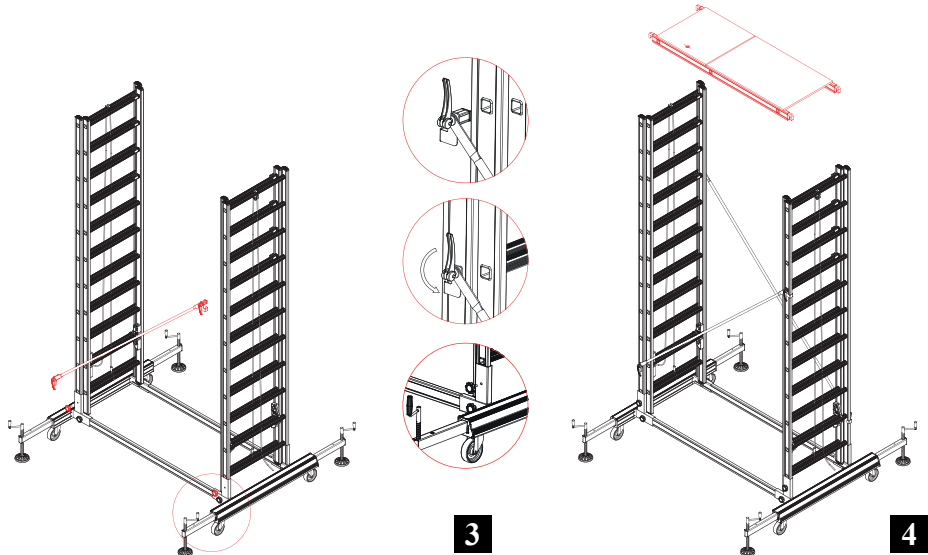


3.3 TeleSafe S006 XL Scaffold Assembly Method

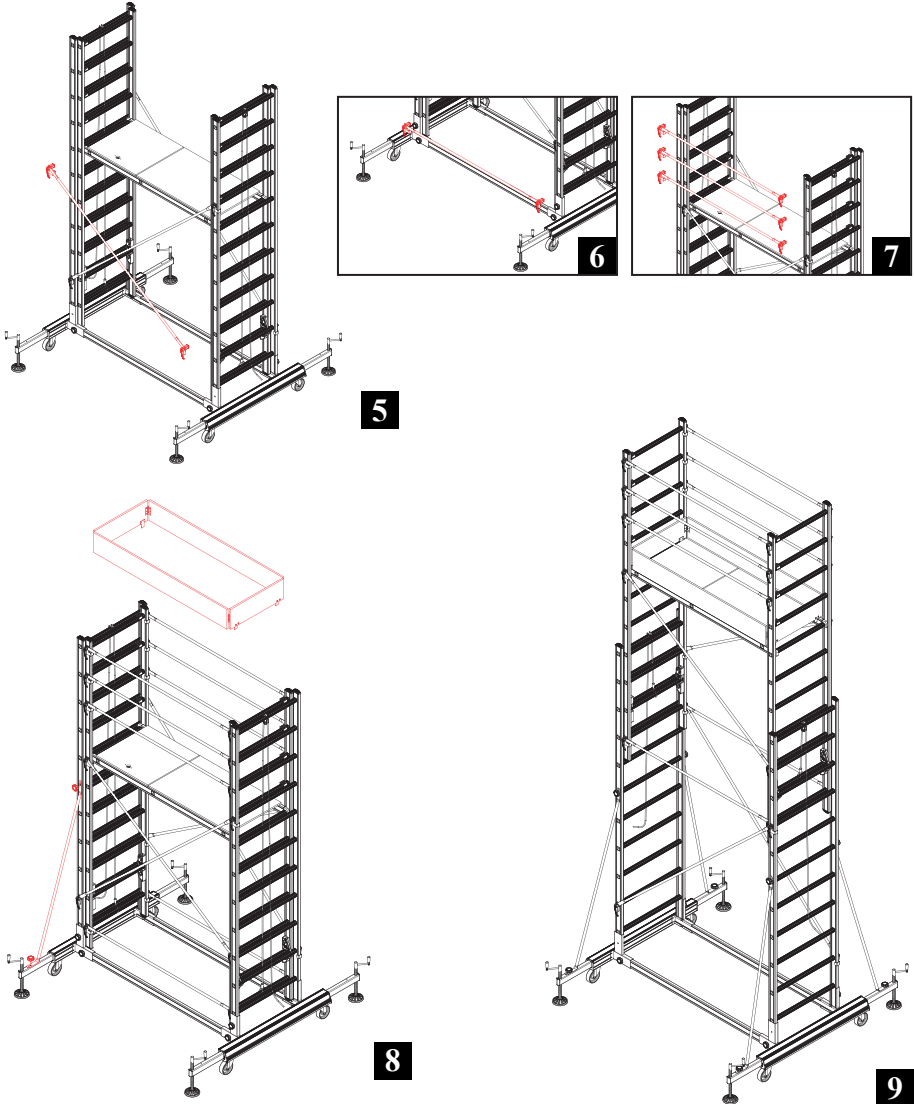
(Figure-1) Insert the 2 piece bonding profiles into their places. Screw the bakalite bolts (clockwise rotation) by hand until they are fully placed. **(Figure-2)** Insert the aluminium ladders (narrow ones opposing and the wide ones opposing) into the canals on the chassis



(Figure-3) Screw the bakalite bolts (clockwise rotation) by hand until they are fully placed. Fix and lock long braces (2x248 cm.) with Q-Lock system in the rung holes. (for interlocking second step to eighth step) **(Figure-4)** Place the platform on the red safe step.

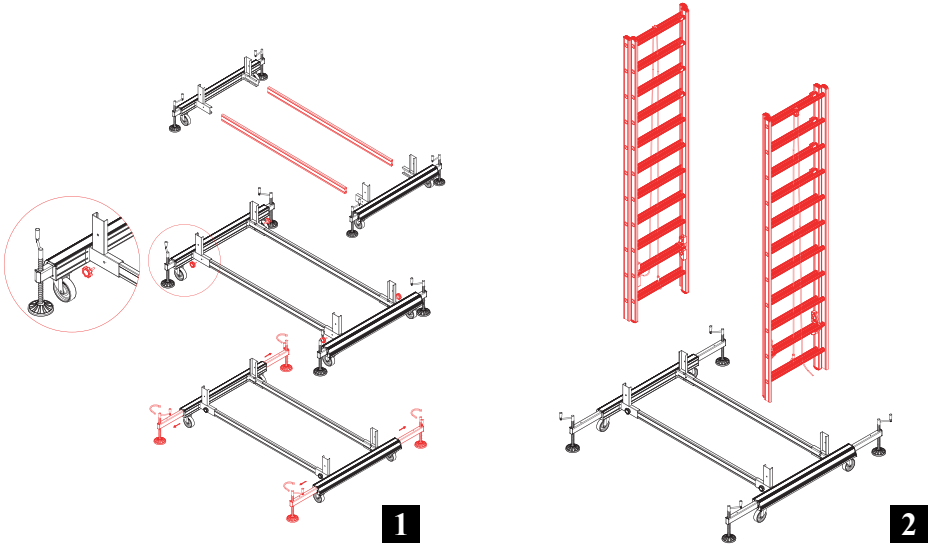


(Figure-5) Fix and lock diagonal braces (2x205 cm.) on both sides with Q-Lock system into the step holes of narrow extensional ladders (third step to seventh step) **(Figure-6)** Fix and lock horizontal braces (2x171 cm.) with Q-Lock system into the step holes of narrow extensional ladders (to the first step of the opposite ladders) **(Figure-7)** Fix and lock horizontal braces (6x171 cm.) with Q-Lock system into the rung holes of narrow extensional ladders (between ninth, tenth and eleventh steps for mutual attachment) **(Figure-8)** Fix the four pieces of stabiliser (186cm.) supports from base to ladders by using hand screws and place toeboard to upper platform surface as it covers all corners. **(Figure-9)** Tower is ready to use.

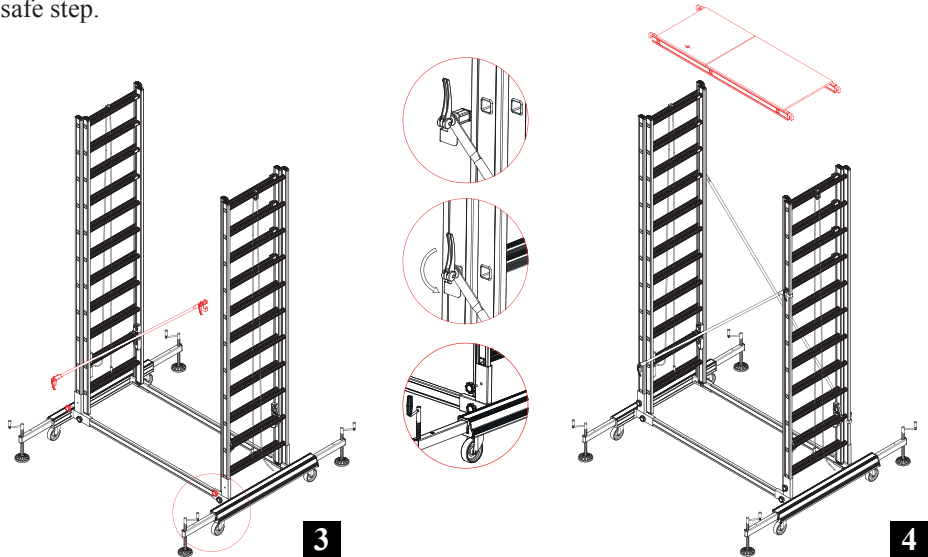


3.4 TeleSafe S007 XL Scaffold Assembly Method

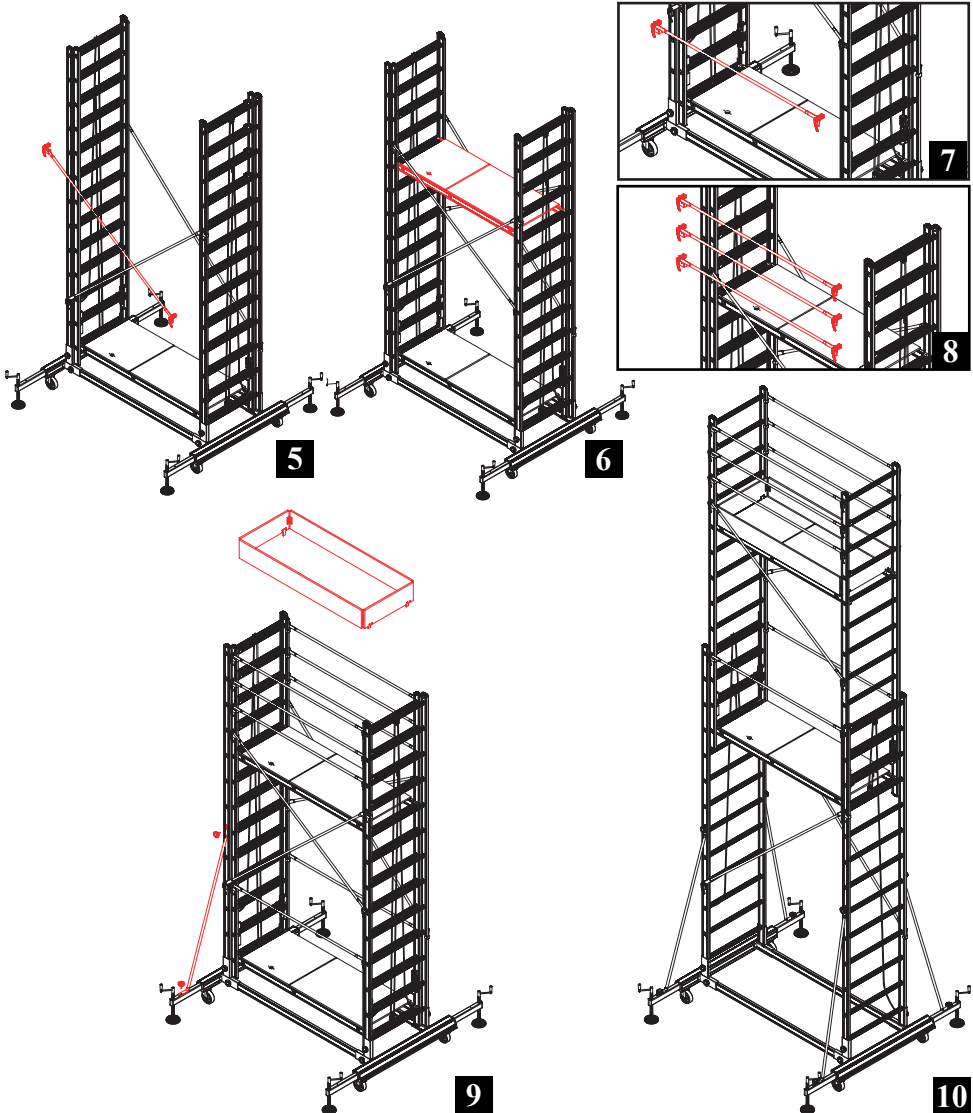
(Figure-1) Insert the 2 piece bonding profiles into their places. Screw the bakalite bolts (clockwise rotation) by hand until they are fully placed. **(Figure-2)** Insert the aluminium ladders (narrow ones opposing and the wide ones opposing) into the canals on the chassis.



(Figure-3) Screw the bakalite bolts (clockwise rotation) by hand until they are fully placed. Fix and lock long braces (2x248 cm.) with Q-Lock system in the rung holes. (for interlocking fourth step to tenth step) **(Figure-4)** Place the first platform on the red safe step.

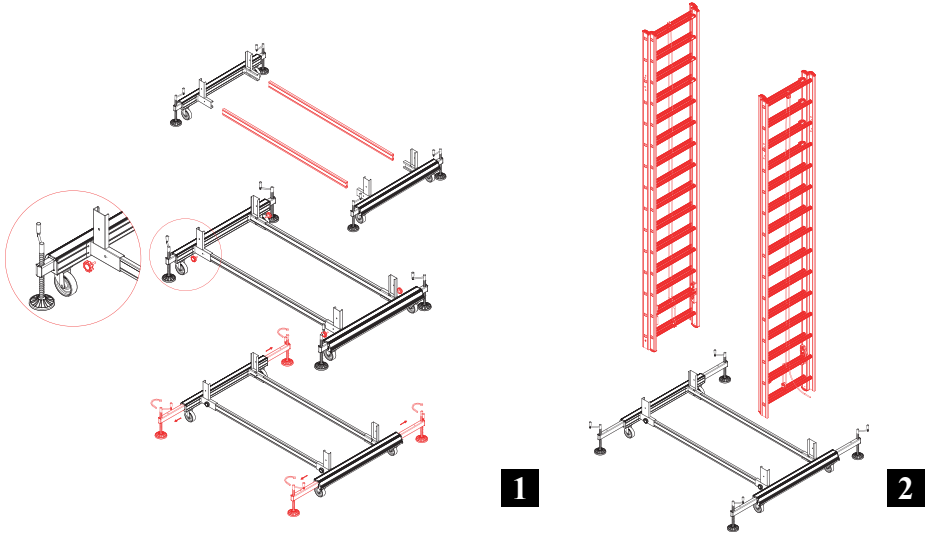


(Figure-5) Fix and lock diagonal braces (2x205 cm.) on both sides with Q-Lock system into the step holes of narrow extensional ladders (sixth step to tenth step) **(Figure-6)** Place the second platform on the red safe step. **(Figure-7)** Fix and lock short horizontal braces (2x171cm.) with Q-Lock system into the step holes of narrow extensional ladders (between third steps for mutual attachment) **(Figure-8)** Fix and lock horizontal braces (6x171 cm.) with Q-Lock system into the rung holes of narrow extensional ladders (between eleventh, twelfth and thirteenth steps for mutual attachment) **(Figure-9)** Fix the four pieces of stabiliser (186cm.) supports from base to ladders by using hand screws and place toeboard to upper platform surface as it covers all corners. **(Figure-10)** Tower is ready to use.

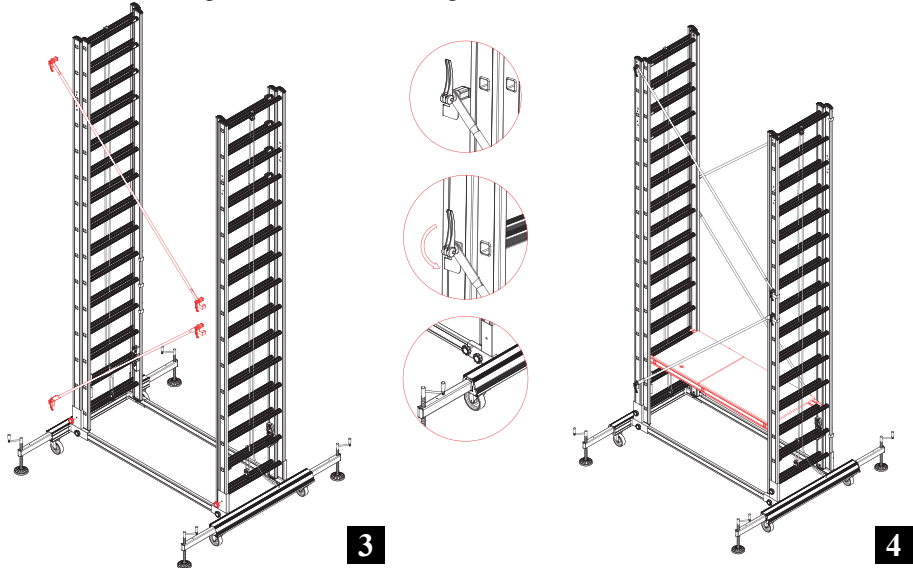


3.5 TeleSafe S008 XL Scaffold Assembly Method

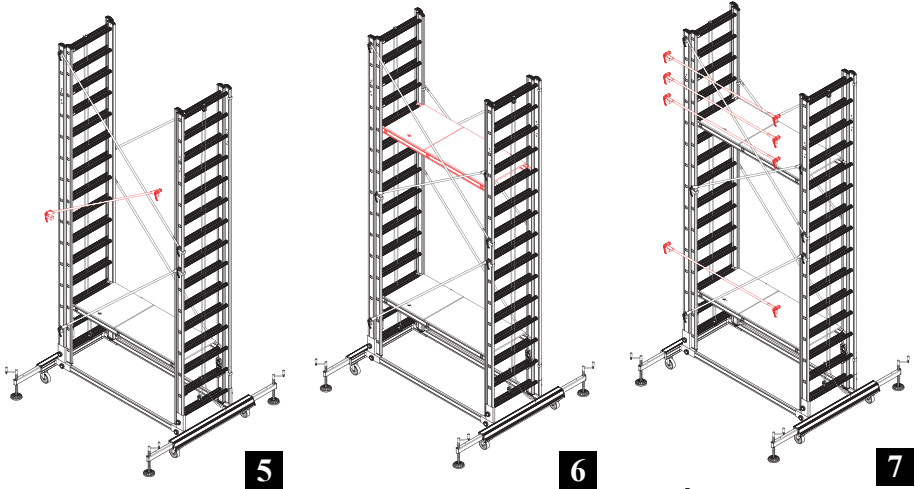
(Figure-1) Insert the 2 piece bonding profiles into their places. Screw the bakalite bolts (clockwise rotation) by hand until they are fully placed. **(Figure-2)** Insert the aluminium ladders (narrow ones opposingly and the wide ones opposingly) into the canals of the chassis.



(Figure-3) Screw the bakalite bolts (clockwise rotation) by hand until they are fully placed. Fix and lock long braces (4x250 cm.) with Q-Lock system in the rung holes (for interlocking second step to eighth step and ninth step to fifteenth step) **(Figure-4)** Place the first intermediate platform on the 3rd step.

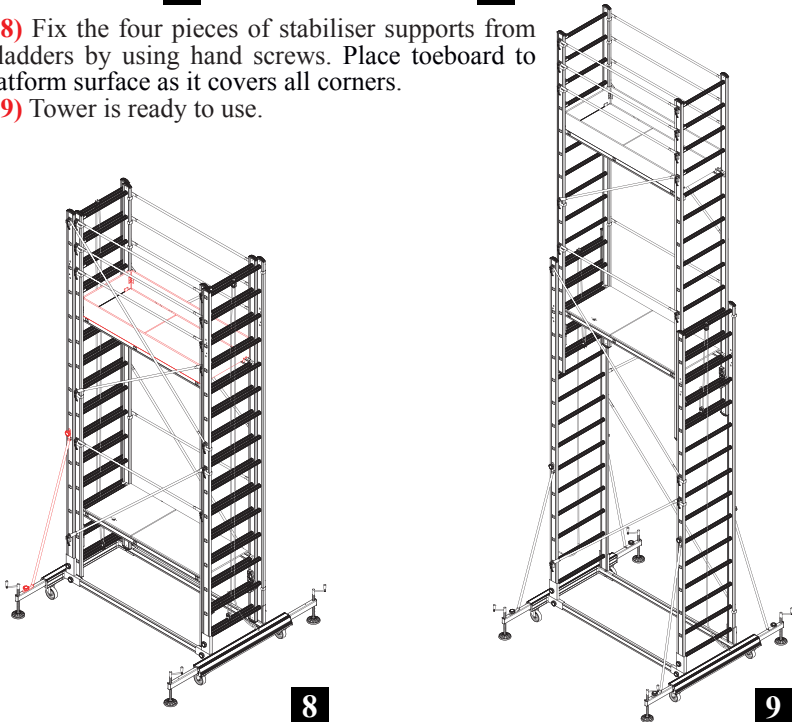


(Figure-5) Fix and lock short diagonal braces (2x205 cm.) on both sides with Q-Lock system into the step holes of narrow extensional ladders (eighth step to twelfth step)
(Figure-6) Place the second platform on the red step. **(Figure-7)** Fix and lock short horizontal braces (8x171 cm.) with Q-Lock system into the step holes of narrow extensional ladders fourth,fifth,sixth and thirteenth, fourteenth, fifteenth step by mutual connection)

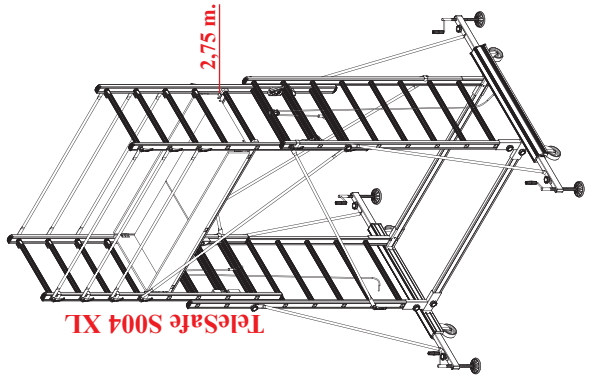
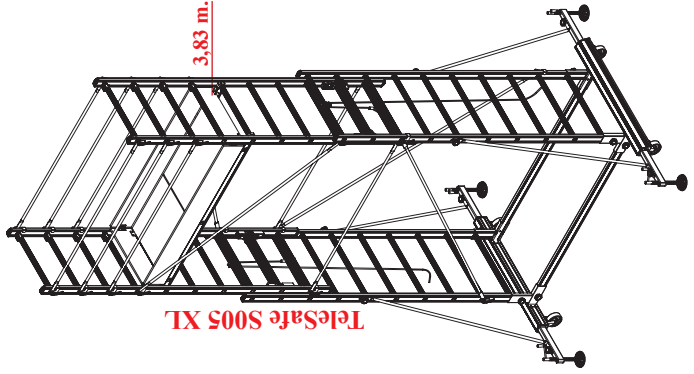
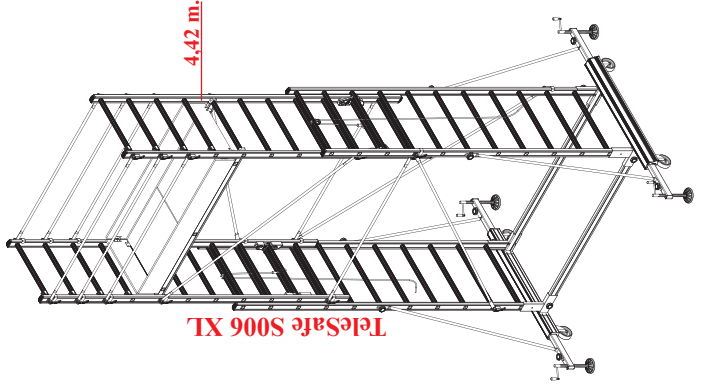


(Figure-8) Fix the four pieces of stabiliser supports from base to ladders by using hand screws. Place toeboard to upper platform surface as it covers all corners.

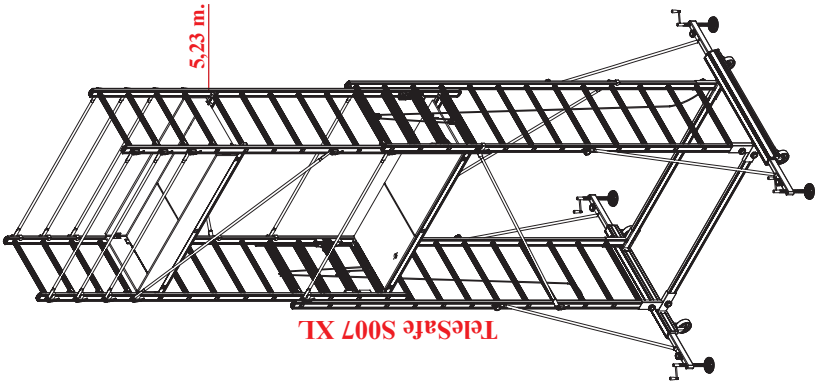
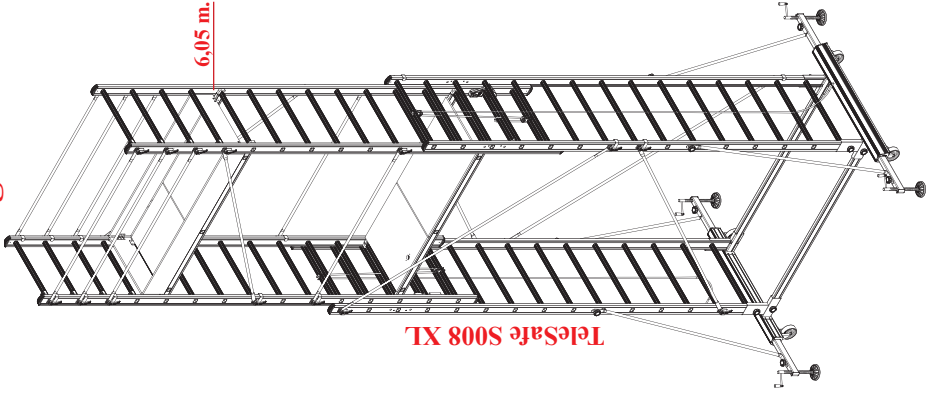
(Figure-9) Tower is ready to use.



4. TeleSafe S-XL Aluminum Scaffold System 3D Images



4. TeleSafe S-XL Aluminum Scaffold System 3D Images



Prepared by: aęsan Merdiven ve Eriřim Ekipmanları San. Tic. Ltd. řti.

©2018 All rights reserved. Without the written consent of aęsan Merdiven, all or any part of this document may be printed or copied.

aęsan Merdiven ve Erisim Ekipmanlari San. Tic. Ltd. Sti.

Gebze Factory

Dilovasi Organize Sanayi Bolgesi 3. Kisim , Meric Cad. No: 1
Muallim Koyu, Gebze - Kocaeli / TURKEY

Balikesir Factory

Gaziosmanpasa OSB Mah. 17. Cad. No:11A
Altieylul - Balikesir / TURKEY

t: +90 262 759 18 08

f: +90 262 759 18 78

bilgi@cagsanmerdiven.com.tr

www.cagsanmerdiven.com

