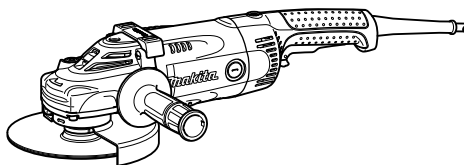
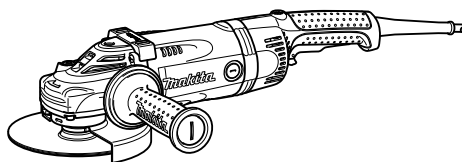
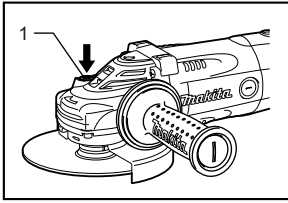




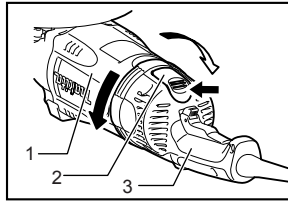
GB	Angle Grinder	INSTRUCTION MANUAL
SI	Kotni brusilnik	NAVODILO ZA UPORABO
AL	Lëmues këndesh	MANUALI I PËRDORIMIT
BG	Ъглошлайф	РЪКОВОДСТВО ЗА ЕКСПЛОАТАЦИЯ
HR	Kutna brusilica	PRIRUČNIK S UPUTAMA
MK	Аголна брусилка	УПАТСТВО ЗА УПОТРЕБА
RO	Polizor unghiular	MANUAL DE INSTRUCȚIUNI
RS	Угаона брусаница	УПУТСТВО ЗА УПОТРЕБУ
RUS	Угловая шлифмашина	РУКОВОДСТВО ПО ЭКСПЛУАТАЦИИ
UA	Кутова шліфувальна машина	ІНСТРУКЦІЯ З ЕКСПЛУАТАЦІЇ

GA7020R
GA7030R
GA7040R
GA9020R
GA9030R
GA9040R

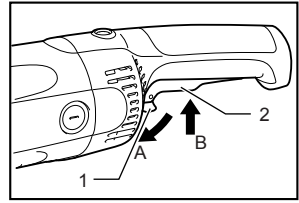




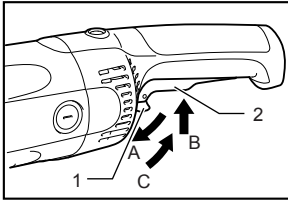
1 010677



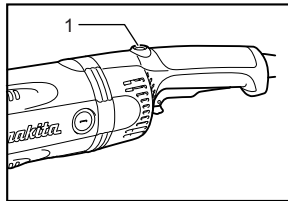
2 010626



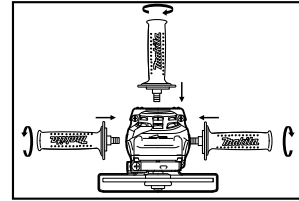
3 010665



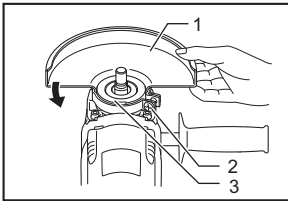
4 010614



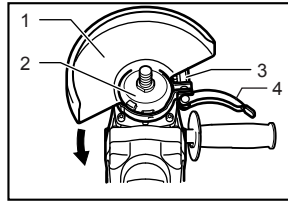
5 010678



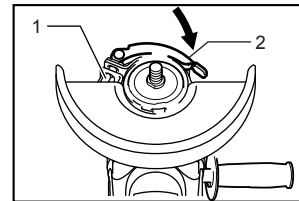
6 010679



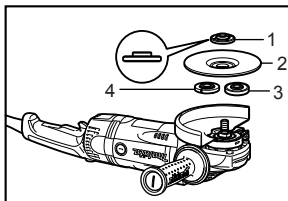
7 006736



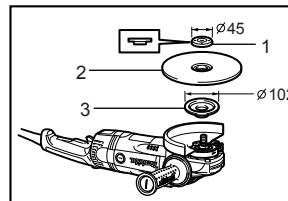
8 010644



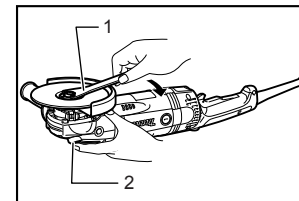
9 010645



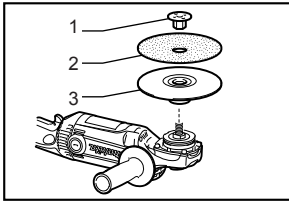
10 010682



11 010687

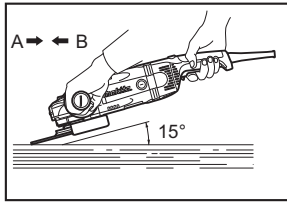


12 010683



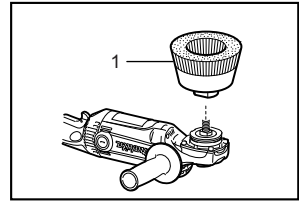
13

010658



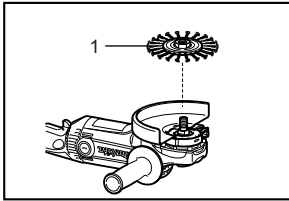
14

010684



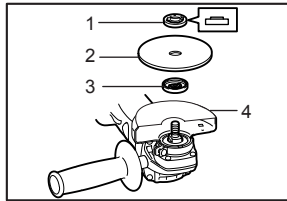
15

010862



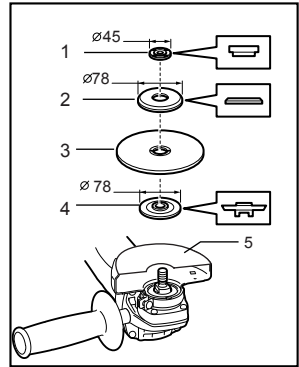
16

010659



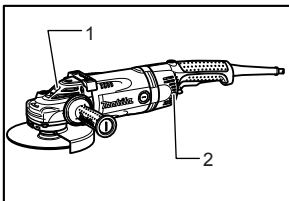
17

010828



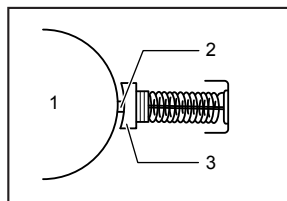
18

010946



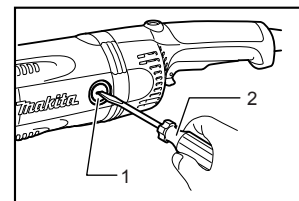
19

010688



20

001146



21

010685

ENGLISH (Original instructions)

Explanation of general view

1-1. Shaft lock	9-2. Lever	17-3. Inner flange
2-1. Motor housing	10-1. Lock nut	17-4. Wheel guard for abrasive cut-off wheel/diamond wheel
2-2. Lock button	10-2. Depressed center wheel	18-1. Lock nut
2-3. Handle	10-3. Super flange	18-2. Outer flange 78
3-1. Lock lever	10-4. Inner flange	18-3. Abrasive cut-off wheel/diamond wheel
3-2. Switch trigger	11-1. Lock nut	18-4. Inner flange 78
4-1. Lock lever	11-2. Depressed center wheel	18-5. Wheel guard for abrasive cut-off wheel/diamond wheel
4-2. Switch trigger	11-3. Inner flange	19-1. Exhaust vent
5-1. Indication lamp	12-1. Lock nut wrench	19-2. Inhalation vent
7-1. Wheel guard	12-2. Shaft lock	20-1. Commutator
7-2. Screw	13-1. Lock nut	20-2. Insulating tip
7-3. Bearing box	13-2. Abrasive disc	20-3. Carbon brush
8-1. Wheel guard	13-3. Rubber pad	21-1. Brush holder cap
8-2. Bearing box	15-1. Wire cup brush	21-2. Screwdriver
8-3. Nut	16-1. Wire wheel brush	
8-4. Lever	17-1. Lock nut	
9-1. Nut	17-2. Abrasive cut-off wheel/diamond wheel	

SPECIFICATIONS

Model	GA7020R	GA7030R	GA7040R	GA9020R	GA9030R	GA9040R
Depressed center wheel diameter	180 mm			230 mm		
Max. wheel thickness	6.5 mm	6.5 mm	6.5 mm	6.5 mm	6.5 mm	6.5 mm
Spindle thread	M14					
Rated speed (n) / No load speed (n ₀)	8,500(min ⁻¹)			6,600(min ⁻¹)		
Overall length	473 mm	503 mm		473 mm	503 mm	
Net weight	5.6 kg	6.3 kg	6.6 kg	5.8 kg	6.5 kg	6.9 kg
Safety class	□/II					

• Due to our continuing program of research and development, the specifications herein are subject to change without notice.

• Specifications may differ from country to country.

• Weight according to EPTA-Procedure 01/2003

ENE048-1

ENG900-1

Intended use

The tool is intended for grinding, sanding and cutting of metal and stone materials without the use of water.

ENF002-2

Power supply

The tool should be connected only to a power supply of the same voltage as indicated on the nameplate, and can only be operated on single-phase AC supply. They are double-insulated and can, therefore, also be used from sockets without earth wire.

ENG905-1

Noise

The typical A-weighted noise level determined according to EN60745:

Sound pressure level (L_{pA}) : 90 dB (A)

Sound power level (L_{WA}) : 101 dB (A)

Uncertainty (K) : 3 dB (A)

Wear ear protection

Vibration

The vibration total value (tri-axial vector sum) determined according to EN60745:

Model GA7020R

Work mode : surface grinding

Vibration emission (a_{h,AG}) : 8.0 m/s²

Uncertainty (K) : 1.5 m/s²

Work mode : disc sanding

Vibration emission (a_{h,DS}) : 3.0 m/s²

Uncertainty (K) : 1.5 m/s²

Model GA7030R

Work mode : surface grinding

Vibration emission (a_{h,AG}) : 6.5 m/s²

Uncertainty (K) : 1.5 m/s²

Work mode : disc sanding
 Vibration emission ($a_{h,DS}$) : 3.5 m/s²
 Uncertainty (K) : 1.5 m/s²

Model GA7040R

Work mode : surface grinding
 Vibration emission ($a_{h,AG}$) : 7.0 m/s²
 Uncertainty (K) : 1.5 m/s²

Work mode : disc sanding
 Vibration emission ($a_{h,DS}$) : 3.0 m/s²
 Uncertainty (K) : 1.5 m/s²

Model GA9020R, GA9040R

Work mode : surface grinding
 Vibration emission ($a_{h,AG}$) : 6.0 m/s²
 Uncertainty (K) : 1.5 m/s²

Work mode: disc sanding
 Vibration emission ($a_{h,DS}$) : 2.5 m/s² or less
 Uncertainty (K) : 1.5 m/s²

Model GA9030R

Work mode : surface grinding
 Vibration emission ($a_{h,AG}$) : 5.5 m/s²
 Uncertainty (K) : 1.5 m/s²

Work mode: disc sanding
 Vibration emission ($a_{h,DS}$) : 2.5 m/s² or less
 Uncertainty (K) : 1.5 m/s²

ENG902-1

- The declared vibration emission value has been measured in accordance with the standard test method and may be used for comparing one tool with another.
- The declared vibration emission value may also be used in a preliminary assessment of exposure.
- The declared vibration emission value is used for main applications of the power tool. However if the power tool is used for other applications, the vibration emission value may be different.

WARNING:

- The vibration emission during actual use of the power tool can differ from the declared emission value depending on the ways in which the tool is used.
- Be sure to identify safety measures to protect the operator that are based on an estimation of exposure in the actual conditions of use (taking account of all parts of the operating cycle such as the times when the tool is switched off and when it is running idle in addition to the trigger time).

For European countries only

EC Declaration of Conformity

Makita declares that the following Machine(s):

Designation of Machine:
 Angle Grinder
 Model No./ Type: GA7020R, GA7030R, GA7040R,
 GA9020R, GA9030R, GA9040R

Conforms to the following European Directives:

2006/42/EC

They are manufactured in accordance with the following Standard or standardized documents:

EN60745

The Technical file in accordance with 2006/42/EC is available from:

Makita, Jan-Baptist Vinkstraat 2, 3070, Belgium

31.12.2013




000331

Yasushi Fukaya
 Director

Makita, Jan-Baptist Vinkstraat 2, 3070, Belgium

GEA010-1

General Power Tool Safety Warnings

 **WARNING** Read all safety warnings and all instructions. Failure to follow the warnings and instructions may result in electric shock, fire and/or serious injury.

Save all warnings and instructions for future reference.

GEB033-7

GRINDER SAFETY WARNINGS

Safety Warnings Common for Grinding, Sanding, Wire Brushing, or Abrasive Cutting-Off Operations:

1. **This power tool is intended to function as a grinder, sander, wire brush or cut-off tool. Read all safety warnings, instructions, illustrations and specifications provided with this power tool.** Failure to follow all instructions listed below may result in electric shock, fire and/or serious injury.
2. **Operations such as polishing are not recommended to be performed with this power tool.** Operations for which the power tool was not designed may create a hazard and cause personal injury.
3. **Do not use accessories which are not specifically designed and recommended by the tool manufacturer.** Just because the

accessory can be attached to your power tool, it does not assure safe operation.

4. **The rated speed of the accessory must be at least equal to the maximum speed marked on the power tool.** Accessories running faster than their rated speed can break and fly apart.
5. **The outside diameter and the thickness of your accessory must be within the capacity rating of your power tool.** Incorrectly sized accessories cannot be adequately guarded or controlled.
6. **Threaded mounting of accessories must match the grinder spindle thread. For accessories mounted by flanges, the arbour hole of the accessory must fit the locating diameter of the flange.** Accessories that do not match the mounting hardware of the power tool will run out of balance, vibrate excessively and may cause loss of control.
7. **Do not use a damaged accessory. Before each use inspect the accessory such as abrasive wheels for chips and cracks, backing pad for cracks, tear or excess wear, wire brush for loose or cracked wires. If power tool or accessory is dropped, inspect for damage or install an undamaged accessory. After inspecting and installing an accessory, position yourself and bystanders away from the plane of the rotating accessory and run the power tool at maximum no-load speed for one minute.** Damaged accessories will normally break apart during this test time.
8. **Wear personal protective equipment. Depending on application, use face shield, safety goggles or safety glasses. As appropriate, wear dust mask, hearing protectors, gloves and workshop apron capable of stopping small abrasive or workpiece fragments.** The eye protection must be capable of stopping flying debris generated by various operations. The dust mask or respirator must be capable of filtrating particles generated by your operation. Prolonged exposure to high intensity noise may cause hearing loss.
9. **Keep bystanders a safe distance away from work area. Anyone entering the work area must wear personal protective equipment.** Fragments of workpiece or of a broken accessory may fly away and cause injury beyond immediate area of operation.
10. **Hold the power tool by insulated gripping surfaces only, when performing an operation where the cutting accessory may contact hidden wiring or its own cord.** Cutting accessory contacting a "live" wire may make exposed metal parts of the power tool "live" and could give the operator an electric shock.

11. **Position the cord clear of the spinning accessory.** If you lose control, the cord may be cut or snagged and your hand or arm may be pulled into the spinning accessory.
12. **Never lay the power tool down until the accessory has come to a complete stop.** The spinning accessory may grab the surface and pull the power tool out of your control.
13. **Do not run the power tool while carrying it at your side.** Accidental contact with the spinning accessory could snag your clothing, pulling the accessory into your body.
14. **Regularly clean the power tool's air vents.** The motor's fan will draw the dust inside the housing and excessive accumulation of powdered metal may cause electrical hazards.
15. **Do not operate the power tool near flammable materials.** Sparks could ignite these materials.
16. **Do not use accessories that require liquid coolants.** Using water or other liquid coolants may result in electrocution or shock.

Kickback and Related Warnings

Kickback is a sudden reaction to a pinched or snagged rotating wheel, backing pad, brush or any other accessory. Pinching or snagging causes rapid stalling of the rotating accessory which in turn causes the uncontrolled power tool to be forced in the direction opposite of the accessory's rotation at the point of the binding.

For example, if an abrasive wheel is snagged or pinched by the workpiece, the edge of the wheel that is entering into the pinch point can dig into the surface of the material causing the wheel to climb out or kick out. The wheel may either jump toward or away from the operator, depending on direction of the wheel's movement at the point of pinching. Abrasive wheels may also break under these conditions.

Kickback is the result of power tool misuse and/or incorrect operating procedures or conditions and can be avoided by taking proper precautions as given below.

- a) **Maintain a firm grip on the power tool and position your body and arm to allow you to resist kickback forces. Always use auxiliary handle, if provided, for maximum control over kickback or torque reaction during start-up.** The operator can control torque reactions or kickback forces, if proper precautions are taken.
- b) **Never place your hand near the rotating accessory.** Accessory may kickback over your hand.
- c) **Do not position your body in the area where power tool will move if kickback occurs.** Kickback will propel the tool in direction opposite to the wheel's movement at the point of snagging.
- d) **Use special care when working corners, sharp edges etc. Avoid bouncing and snagging the accessory.** Corners, sharp edges or bouncing have a tendency to snag the rotating accessory

and cause loss of control or kickback.

e) **Do not attach a saw chain woodcarving blade or toothed saw blade.** Such blades create frequent kickback and loss of control.

Safety Warnings Specific for Grinding and Abrasive Cutting-Off Operations:

a) **Use only wheel types that are recommended for your power tool and the specific guard designed for the selected wheel.** Wheels for which the power tool was not designed cannot be adequately guarded and are unsafe.

b) **The grinding surface of centre depressed wheels must be mounted below the plane of the guard lip.** An improperly mounted wheel that projects through the plane of the guard lip cannot be adequately protected.

c) **The guard must be securely attached to the power tool and positioned for maximum safety, so the least amount of wheel is exposed towards the operator.** The guard helps to protect the operator from broken wheel fragments, accidental contact with wheel and sparks that could ignite clothing.

d) **Wheels must be used only for recommended applications. For example: do not grind with the side of cut-off wheel.** Abrasive cut-off wheels are intended for peripheral grinding, side forces applied to these wheels may cause them to shatter.

e) **Always use undamaged wheel flanges that are of correct size and shape for your selected wheel.** Proper wheel flanges support the wheel thus reducing the possibility of wheel breakage. Flanges for cut-off wheels may be different from grinding wheel flanges.

f) **Do not use worn down wheels from larger power tools.** Wheel intended for larger power tool is not suitable for the higher speed of a smaller tool and may burst.

Additional Safety Warnings Specific for Abrasive Cutting-Off Operations:

a) **Do not “jam” the cut-off wheel or apply excessive pressure. Do not attempt to make an excessive depth of cut.** Overstressing the wheel increases the loading and susceptibility to twisting or binding of the wheel in the cut and the possibility of kickback or wheel breakage.

b) **Do not position your body in line with and behind the rotating wheel.** When the wheel, at the point of operation, is moving away from your body, the possible kickback may propel the spinning wheel and the power tool directly at you.

c) **When wheel is binding or when interrupting a cut for any reason, switch off the power tool and hold the power tool motionless until the wheel comes to a complete stop. Never attempt to remove the cut-off wheel from the cut while the wheel is in motion otherwise kickback may occur.** Investigate and take

corrective action to eliminate the cause of wheel binding.

d) **Do not restart the cutting operation in the workpiece. Let the wheel reach full speed and carefully re-enter the cut.** The wheel may bind, walk up or kickback if the power tool is restarted in the workpiece.

e) **Support panels or any oversized workpiece to minimize the risk of wheel pinching and kickback.** Large workpieces tend to sag under their own weight. Supports must be placed under the workpiece near the line of cut and near the edge of the workpiece on both sides of the wheel.

f) **Use extra caution when making a “pocket cut” into existing walls or other blind areas.** The protruding wheel may cut gas or water pipes, electrical wiring or objects that can cause kickback.

Safety Warnings Specific for Sanding Operations:

a) **Do not use excessively oversized sanding disc paper. Follow manufacturers recommendations, when selecting sanding paper.** Larger sanding paper extending beyond the sanding pad presents a laceration hazard and may cause snagging, tearing of the disc or kickback.

Safety Warnings Specific for Wire Brushing Operations:

a) **Be aware that wire bristles are thrown by the brush even during ordinary operation. Do not overstress the wires by applying excessive load to the brush.** The wire bristles can easily penetrate light clothing and/or skin.

b) **If the use of a guard is recommended for wire brushing, do not allow interference of the wire wheel or brush with the guard.** Wire wheel or brush may expand in diameter due to work load and centrifugal forces.

Additional safety warnings:

17. **When using depressed centre grinding wheels, be sure to use only fiberglass-reinforced wheels.**
18. **NEVER USE Stone Cup type wheels with this grinder.** This grinder is not designed for these types of wheels and the use of such a product may result in serious personal injury.
19. **Be careful not to damage the spindle, the flange (especially the installing surface) or the lock nut. Damage to these parts could result in wheel breakage.**
20. **Make sure the wheel is not contacting the workpiece before the switch is turned on.**
21. **Before using the tool on an actual workpiece, let it run for a while. Watch for vibration or wobbling that could indicate poor installation or a poorly balanced wheel.**
22. **Use the specified surface of the wheel to perform the grinding.**

23. Do not leave the tool running. Operate the tool only when hand-held.
24. Do not touch the workpiece immediately after operation; it may be extremely hot and could burn your skin.
25. Observe the instructions of the manufacturer for correct mounting and use of wheels. Handle and store wheels with care.
26. Do not use separate reducing bushings or adaptors to adapt large hole abrasive wheels.
27. Use only flanges specified for this tool.
28. For tools intended to be fitted with threaded hole wheel, ensure that the thread in the wheel is long enough to accept the spindle length.
29. Check that the workpiece is properly supported.
30. Pay attention that the wheel continues to rotate after the tool is switched off.
31. If working place is extremely hot and humid, or badly polluted by conductive dust, use a short-circuit breaker (30 mA) to assure operator safety.
32. Do not use the tool on any materials containing asbestos.
33. When use cut-off wheel, always work with the dust collecting wheel guard required by domestic regulation.
34. Cutting discs must not be subjected to any lateral pressure.

SAVE THESE INSTRUCTIONS.

⚠WARNING:

DO NOT let comfort or familiarity with product (gained from repeated use) replace strict adherence to safety rules for the subject product. MISUSE or failure to follow the safety rules stated in this instruction manual may cause serious personal injury.

FUNCTIONAL DESCRIPTION

⚠CAUTION:

- Always be sure that the tool is switched off and unplugged before adjusting or checking function on the tool.

Shaft lock

⚠CAUTION:

- Never actuate the shaft lock when the spindle is moving. The tool may be damaged.

Fig.1

Press the shaft lock to prevent spindle rotation when installing or removing accessories.

Switch handle mounting positions

(For Models GA7030R, GA7040R, GA9030R and GA9040R)

Fig.2

The switch handle can be rotated to either 90° left or right to fit your work needs. First, unplug the tool. Press the lock button and rotate the switch handle to left or right fully. The switch handle will be locked in that position.

⚠CAUTION:

- Always make sure that the switch handle is locked in the desired position before operation.

Switch action

⚠CAUTION:

- Before plugging in the tool, always check to see that the switch trigger actuates properly and returns to the "OFF" position when released.

Fig.3

For tool with the lock-on switch

To start the tool, simply pull the switch trigger (in the B direction). Release the switch trigger to stop. For continuous operation, pull the switch trigger (in the B direction) and then push in the lock lever (in the A direction). To stop the tool from the locked position, pull the switch trigger fully (in the B direction), then release it.

For tool with the lock on and lock-off switch

Fig.4

To prevent the switch trigger from accidentally pulled, a lock lever is provided.

To start the tool, push in the lock lever (in the A direction) and then pull the switch trigger (in the B direction). Release the switch trigger to stop.

For continuous operation, push in the lock lever (in the A direction), pull the switch trigger (in the B direction) and then pull the lock lever (in the C direction).

To stop the tool from the locked position, pull the switch trigger fully (in the B direction), then release it.

Indication lamp

Fig.5

The indication lamp lights up green when the tool is plugged. If the indication lamp does not light up, the mains cord or the controller may be defective. The indication lamp is lit but the tool does not start even if the tool is switched on, the carbon brushes may be worn out, or the controller, the motor or the ON/OFF switch may be defective.

Unintentional restart proof

Even locking lever keeping the switch trigger depressed (Lock-on position) does not allow the tool to restart even when the tool is plugged.

At this time, the indication lamp flickers red and shows the unintentional restart proof device is on function.

To cancel the unintentional restart proof, pull the switch trigger fully, then release it.

Soft start feature

These models begin to run slowly when they are turned on. This soft start feature assures smoother operation.

ASSEMBLY

⚠CAUTION:

- Always be sure that the tool is switched off and unplugged before carrying out any work on the tool.

Installing side grip (handle)

⚠CAUTION:

- Always be sure that the side grip is installed securely before operation.

Fig.6

Screw the side grip securely on the position of the tool as shown in the figure.

Installing or removing wheel guard (For depressed center wheel , multi disc , wire wheel brush / abrasive cut-off wheel , diamond wheel)

⚠WARNING:

- When using a depressed center grinding wheel/Multi-disc, flex wheel or wire wheel brush, the wheel guard must be fitted on the tool so that the closed side of the guard always points toward the operator.
- When using an abrasive cut-off / diamond wheel, be sure to use only the special wheel guard designed for use with cut-off wheels. (In European countries, when using a diamond wheel, the ordinary guard can be used.)

For tool with locking screw type wheel guard

Fig.7

Mount the wheel guard with the protrusion on the wheel guard band aligned with the notch on the bearing box. Then rotate the wheel guard to such an angle that it can protect the operator according to work. Be sure to tighten the screw securely.

To remove wheel guard, follow the installation procedure in reverse.

For tool with clamp lever type wheel guard

Fig.8

Fig.9

Loosen the lever on the wheel guard. Mount the wheel guard with the protrusion on the wheel guard band aligned with the notch on the bearing box. Then rotate the wheel guard around to the position shown in the figure. Tighten the lever to fasten the wheel guard. If the lever is too tight or too loose to fasten the wheel guard, loosen or tighten the nut to adjust the tightening of the wheel guard band.

To remove wheel guard, follow the installation procedure in reverse.

Installing or removing depressed center grinding wheel/Multi-disc (accessory)

⚠WARNING:

- Always use supplied guard when depressed center grinding wheel/Multi-disc is on tool. Wheel can shatter during use and guard helps to reduce chances of personal injury.

Fig.10

Mount the inner flange onto the spindle. Fit the wheel/disc on the inner flange and screw the lock nut onto the spindle.

Super flange

Models with the letter F are standard-equipped with a super flange. Only 1/3 of efforts needed to undo lock nut, compared with conventional type.

For Australia and New Zealand

Fig.11

Mount the inner flange onto the spindle. Fit the wheel/disc on the inner flange and screw the lock nut with its protrusion facing downward (facing toward the wheel).

Fig.12

To tighten the lock nut, press the shaft lock firmly so that the spindle cannot revolve, then use the lock nut wrench and securely tighten clockwise.

To remove the wheel, follow the installation procedure in reverse.

Installing or removing abrasive disc (optional accessory)

NOTE:

- Use sander accessories specified in this manual. These must be purchased separately.

Fig.13

Mount the rubber pad onto the spindle. Fit the disc on the rubber pad and screw the lock nut onto the spindle. To tighten the lock nut, press the shaft lock firmly so that the spindle cannot revolve, then use the lock nut wrench and securely tighten clockwise.

To remove the disc, follow the installation procedure in reverse.

OPERATION

⚠WARNING:

- It should never be necessary to force the tool. The weight of the tool applies adequate pressure. Forcing and excessive pressure could cause dangerous wheel breakage.
- ALWAYS replace wheel if tool is dropped while grinding.
- NEVER bang or hit grinding disc or wheel onto work.
- Avoid bouncing and snagging the wheel, especially when working corners, sharp edges etc. This can cause loss of control and kickback.
- NEVER use tool with wood cutting blades and other sawblades. Such blades when used on a grinder frequently kick and cause loss of control leading to personal injury.

⚠CAUTION:

- Never switch on the tool when it is in contact with the workpiece, it may cause an injury to operator.
- Always wear safety goggles or a face shield during operation.
- After operation, always switch off the tool and wait until the wheel has come to a complete stop before putting the tool down.

Grinding and sanding operation

Fig.14

ALWAYS hold the tool firmly with one hand on rear handle and the other on the side handle. Turn the tool on and then apply the wheel or disc to the workpiece. In general, keep the edge of the wheel or disc at an angle of about 15 degrees to the workpiece surface. During the break-in period with a new wheel, do not work the grinder in the B direction or it will cut into the workpiece. Once the edge of the wheel has been rounded off by use, the wheel may be worked in both A and B direction.

Operation with wire cup brush (optional accessory)

⚠CAUTION:

- Check operation of brush by running tool with no load, insuring that no one is in front of or in line with brush.
- Do not use brush that is damaged, or which is out of balance. Use of damaged brush could increase potential for injury from contact with broken brush wires.

Fig.15

Unplug tool and place it upside down allowing easy access to spindle. Remove any accessories on spindle. Mount wire cup brush onto spindle and tighten with supplied wrench. When using brush, avoid applying too much pressure which causes over bending of wires, leading to premature breakage.

Operation with wire wheel brush (optional accessory)

⚠CAUTION:

- Check operation of wire wheel brush by running tool with no load, insuring that no one is in front of or in line with the wire wheel brush.
- Do not use wire wheel brush that is damaged, or which is out of balance. Use of damaged wire wheel brush could increase potential for injury from contact with broken wires.
- ALWAYS use guard with wire wheel brushes, assuring diameter of wheel fits inside guard. Wheel can shatter during use and guard helps to reduce chances of personal injury.

Fig.16

Unplug tool and place it upside down allowing easy access to spindle. Remove any accessories on spindle. Thread wire wheel brush onto spindle and tighten with the wrenches.

When using wire wheel brush, avoid applying too much pressure which causes over bending of wires, leading to premature breakage.

Operation with abrasive cut-off / diamond wheel (optional accessory)

⚠WARNING:

- When using an abrasive cut-off / diamond wheel, be sure to use only the special wheel guard designed for use with cut-off wheels. (In European countries, when using a diamond wheel, the ordinary guard can be used.)
- NEVER use cut-off wheel for side grinding.
- Do not "jam" the wheel or apply excessive pressure. Do not attempt to make an excessive depth of cut. Overstressing the wheel increases the loading and susceptibility to twisting or binding of the wheel in the cut and the possibility of

kickback, wheel breakage and overheating of the motor may occur.

- Do not start the cutting operation in the workpiece. Let the wheel reach full speed and carefully enter into the cut moving the tool forward over the workpiece surface. The wheel may bind, walk up or kickback if the power tool is started in the workpiece.
- During cutting operations, never change the angle of the wheel. Placing side pressure on the cut-off wheel (as in grinding) will cause the wheel to crack and break, causing serious personal injury.
- A diamond wheel shall be operated perpendicular to the material being cut.

Mount the inner flange onto the spindle. Fit the wheel/disc on the inner flange and screw the lock nut onto the spindle.

Fig.17

For Australia and New Zealand

Installing or removing abrasive cut-off wheel / diamond wheel (optional accessory)

Fig.18

MAINTENANCE

⚠CAUTION:

- Always be sure that the tool is switched off and unplugged before attempting to perform inspection or maintenance.
- Never use gasoline, benzine, thinner, alcohol or the like. Discoloration, deformation or cracks may result.

Fig.19

The tool and its air vents have to be kept clean. Regularly clean the tool's air vents or whenever the vents start to become obstructed.

Replacing carbon brushes

Fig.20

When the resin insulating tip inside the carbon brush is exposed to contact the commutator, it will automatically shut off the motor. When this occurs, both carbon brushes should be replaced. Keep the carbon brushes clean and free to slip in the holders. Both carbon brushes should be replaced at the same time. Use only identical carbon brushes.

Fig.21

Use a screwdriver to remove the brush holder caps. Take out the worn carbon brushes, insert the new ones and secure the brush holder caps.

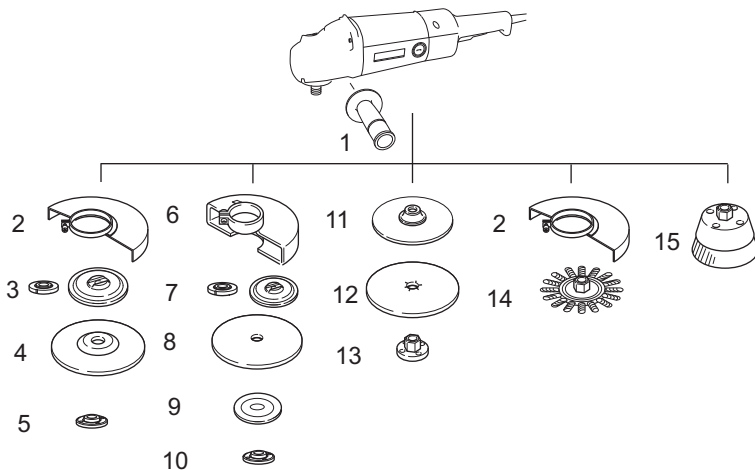
To maintain product SAFETY and RELIABILITY, repairs, any other maintenance or adjustment should be performed by Makita Authorized Service Centers, always using Makita replacement parts.

OPTIONAL ACCESSORIES

⚠CAUTION:

- These accessories or attachments are recommended for use with your Makita tool specified in this manual. The use of any other accessories or attachments might present a risk of injury to persons. Only use accessory or attachment for its stated purpose.

If you need any assistance for more details regarding these accessories, ask your local Makita Service Center.



1	Side grip
2	Wheel guard for Depressed center grinding wheel / Multi disc / Wire wheel brush
3	Inner flange / Super flange / Inner flange 102 (Australia and New Zealand only)
4	Depressed center grinding wheel/Multi-disc
5	Lock nut / Ezynut*1
6	Wheel guard for Abrasive cut off wheel / Diamond wheel*2
7	Inner flange / Super flange / Inner flange 78 (Australia and New Zealand only)
8	Abrasive cut off wheel / Diamond wheel
9	Outer flange 78 (Australia and New Zealand only)*3
10	Lock nut / Ezynut*1
11	Rubber pad
12	Abrasive disc
13	Sanding lock nut
14	Wire wheel brush
15	Wire cup brush
—	Lock nut wrench
—	Dust cover attachment

*1 Do not use Super flange and Ezynut together.

*2 In European countries, when using a diamond wheel, the ordinary guard can be used instead of the special guard covering the both side of the wheel.

*3 Use Inner flange 78 and Outer flange 78 together. (Australia and New Zealand only)

011513

NOTE:

- Some items in the list may be included in the tool package as standard accessories. They may differ from country to country.

SLOVENŠČINA (izvirna navodila)

Razlaga splošnega pogleda

1-1. Zapora vretena	9-2. Ročica	17-3. Notranja prirobnica
2-1. Ohišje motorja	10-1. Zaskočna matica	17-4. Ščitnik za abrazivno rezalno ploščo/diamantno rezalno ploščo
2-2. Gumb za zaklep	10-2. Plošča z ugreznjenim centrom	18-1. Zaskočna matica
2-3. Ročica	10-3. Super-prirobnica	18-2. Zunanja prirobnica 78
3-1. Zaklepna ročica	10-4. Notranja prirobnica	18-3. Abrazivna rezalna plošča/diamantna rezalna plošča
3-2. Sprožilno stikalo	11-1. Zaskočna matica	18-4. Notranja prirobnica 78
4-1. Zaklepna ročica	11-2. Plošča z ugreznjenim centrom	18-5. Ščitnik za abrazivno rezalno ploščo/diamantno rezalno ploščo
4-2. Sprožilno stikalo	11-3. Notranja prirobnica	19-1. Izpušna odprtina
5-1. Kontrolna lučka	12-1. Ključ za zaskočno matico	19-2. Prezračevalna odprtina
7-1. Ščitnik	12-2. Zapora vretena	20-1. Komutator
7-2. Vijak	13-1. Zaskočna matica	20-2. Izolacijska konica
7-3. Ohišje z ležajem	13-2. Abrazivna plošča	20-3. Karbonska ščetka
8-1. Ščitnik	13-3. Gumijasta blazinica	21-1. Pokrov krtačke
8-2. Ohišje z ležajem	15-1. Žična ščetka	21-2. Izvijač
8-3. Matica	16-1. Okrogla žičnata ščetka	
8-4. Ročica	17-1. Zaskočna matica	
9-1. Matica	17-2. Abrazivna rezalna plošča/diamantna rezalna plošča	

TEHNIČNI PODATKI

Model	GA7020R	GA7030R	GA7040R	GA9020R	GA9030R	GA9040R
Premer plošče s centralnim ugreznjenjem	180 mm			230 mm		
Maks. debelina plošče	6,5 mm	6,5 mm	6,5 mm	6,5 mm	6,5 mm	6,5 mm
Navoj vretena	M14					
Nazivna hitrost (n) / hitrost brez obremenitve (n ₀)	8.500(min ⁻¹)			6.600(min ⁻¹)		
Celotna dolžina	473 mm	503 mm		473 mm	503 mm	
Neto teža	5,6 kg	6,3 kg	6,6 kg	5,8 kg	6,5 kg	6,9 kg
Varnostni razred	□/II					

- Zaradi našega nenehnega programa raziskave in razvoja si pridržujemo pravico do spremembe tehničnih podatkov brez obvestila.
- Tehnični podatki se lahko razlikujejo od države.
- Teža je v skladu z EPTA-postopkom 01/2003

Namen uporabe

Stroj je namenjen za brušenje, glajenje in rezanje kovine in kamna brez uporabe vode.

ENE048-1

ENF002-2

Priključitev na električno omrežje

Napetost električnega omrežja se mora ujemati s podatki na tipski ploščici. Stroj deluje samo z enofazno izmenično napetostjo. Stroj je po evropskih smernicah dvojno zaščitno izoliran, zato se ga lahko priključi tudi na vtičnice brez ozemljitvenega voda.

ENG905-1

Hrup

Tipični, z A ocenjeni vrednosti hrupa glede na EN60745:

- Raven zvočnega tlaka (L_{pA}) : 90 dB (A)
- Raven zvočne moči (L_{WA}) : 101 dB (A)
- Odstopanje (K): 3 dB (A)

Uporabljajte zaščito za sluh

Vibracije

Skupne vrednosti vibracij (vektorska vsota treh osi) po EN60745:

ENG900-1

Model GA7020R

Delovni način: brušenje površine
Oddajanje tresljajev (a_{h,AG}): 8,0 m/s²
Odstopanje (K): 1,5 m/s²

Delovni način: peskanje s ploščo
Oddajanje tresljajev (a_{h,DS}): 3,0 m/s²
Odstopanje (K): 1,5 m/s²

Model GA7030R

Delovni način: brušenje površine
Oddajanje tresljajev (a_{h,AG}): 6,5 m/s²
Odstopanje (K): 1,5 m/s²

Delovni način: peskanje s ploščo
 Oddajanje tresljajev ($a_{h,DS}$) : 3,5 m/s²
 Odstopanje (K): 1,5 m/s²

Model GA7040R

Delovni način: brušenje površine
 Oddajanje tresljajev ($a_{h,AG}$): 7,0 m/s²
 Odstopanje (K): 1,5 m/s²

Delovni način: peskanje s ploščo
 Oddajanje tresljajev ($a_{h,DS}$) : 3,0 m/s²
 Odstopanje (K): 1,5 m/s²

Model GA9020R, GA9040R

Delovni način: brušenje površine
 Oddajanje tresljajev ($a_{h,AG}$): 6,0 m/s²
 Odstopanje (K): 1,5 m/s²

Delovni način: peskanje s ploščo
 Oddajanje tresljajev ($a_{h,DS}$) : 2,5 m/s² ali manj
 Odstopanje (K) : 1,5 m/s²

Model GA9030R

Delovni način: brušenje površine
 Oddajanje tresljajev ($a_{h,AG}$): 5,5 m/s²
 Odstopanje (K): 1,5 m/s²

Delovni način: peskanje s ploščo
 Oddajanje tresljajev ($a_{h,DS}$) : 2,5 m/s² ali manj
 Odstopanje (K) : 1,5 m/s²

ENG902-1

- Navedena vrednost oddajanja vibracij je bila izmerjena v skladu s standardnimi metodami testiranja in se lahko uporablja za primerjavo orodij.
- Navedena vrednost oddajanja vibracij se lahko uporablja tudi pri predhodni oceni izpostavljenosti.
- Navedena vrednost oddajanja vibracij se uporablja za glavno uporabo električnega orodja. Če pa električno orodje uporabljate v druge namene, se lahko vrednosti oddajanja vibracij razlikujejo.

⚠ OPOZORILO:

- Oddajanje vibracij med dejansko uporabo električnega orodja se lahko razlikuje od navedene vrednosti oddajanja, odvisno od načina uporabe orodja.
- Upravljalavec mora za lastno zaščito poznati varnostne ukrepe, ki temeljijo na oceni izpostavljenosti v dejanskih pogojih uporabe (upoštevajoč celoten delovni proces v trenutkih, ko je orodje izključeno in ko deluje v prostem teku z dodatkom časa sprožitve).

Samo za evropske države

ES Izjava o skladnosti

Družba Makita izjavlja, da je/so naslednji stroj/i:

Oznaka stroja:

Kotni brusilnik

Model št./vrsta: GA7020R, GA7030R, GA7040R, GA9020R, GA9030R, GA9040R

Je skladen z naslednjimi evropskimi direktivami:

2006/42/ES

Izdelan v skladu z naslednjim standardom ali standardiziranimi dokumenti:

EN60745

Tehnična dokumentacija v skladu z direktivo 2006/42/ES je na voljo na:

Makita, Jan-Baptist Vinkstraat 2, 3070, Belgija

31.12.2013



000331

Yasushi Fukaya

Direktor

Makita, Jan-Baptist Vinkstraat 2, 3070, Belgija

GEA010-1

Splošna varnostna opozorila za električno orodje

⚠ OPOZORILO Preberite vsa varnostna opozorila in navodila. Neupoštevanje opozoril in navodil lahko povzroči električni udar, požar in/ali hude telesne poškodbe.

Shranite vsa opozorila in navodila za kasnejšo uporabo.

GEB033-7

VARNOSTNA OPOZORILA PRI UPORABI BRUSILNIKA

Varnostna opozorila za brušenje, glajenje, žično ščetkanje ali rezanje:

1. **Kotni brusilnik je namenjen za brušenje, glajenje, žično ščetkanje ali rezanje. Preberite vsa varnostna opozorila in navodila s slikami in tehničnimi podatki, ki so dobavljeni skupaj z električnim orodjem.** Ob neupoštevanju spodaj navedenih navodil obstaja nevarnost električnega udara, požara in/ali hudih telesnih poškodb.
2. **Kotni brusilnik ni primeren za izvajanje delovnih opravil kot je poliranje.** Izvajanje tovrstnih opravil z električnim orodjem je nevarno in lahko povzroči resne telesne poškodbe.
3. **Poslužujte se samo nastavkov, ki so natančno določeni in prepisani s strani proizvajalca.**

Četudi je možno na vaš kotni rezalnik priključiti različne nastavke, ti še ne zagotavljajo varnega izvajanja zelenih opravil.

4. **Nazivno število vrtljajev pribora mora ustrezati vsaj največjemu številu vrtljajev, ki je označeno na električnem orodju.** Pribor, ki se vrti hitreje od nazivnega števila vrtljajev, se lahko zlomi in razleti.
5. **Zunanji premer in debelina pribora morata ustrezati nazivni moči električnega orodja.** Pribora nepravilne velikosti ni moč ustrezno zaščititi ali nadzirati.
6. **Pritrditev pripomočkov z navoji se mora prilegati navojem vretena brusilnika. Pri pripomočkih, nameščenih s prirobnicami, se morajo osne luknje pripomočkov natančno prilegati premeru prirobnice.** Pripomočkov, ki se ne ujemajo, ni moč ustrezno namestiti na električno orodje, kar lahko povzroči neuravnoteženost, čezmerno vibriranje in izgubo nadzora.
7. **Ne uporabljajte poškodovanih nastavkov. Pred vsako uporabo preverite nastavke kot so plošče, če se morda niso odkrušile, če brusilni krožniki niso počeni, pretrgani ali čezmerno obrabljeni ali če so na žičnih pretkah ohlapne ali počene žice. Če pade električno orodje ali nastavek na tla, preverite, če so nastale poškodbe in po potrebi namestite nepoškodovani nastavek. Po pregledu in namestitvi nastavka se postavite izven ravnine vrtenja nastavka in opozorite osebe v vaši bližini, naj se oddaljijo ter vključite orodje in ga pustite teči eno minuto brez obremenitve.** Med tem preizkusom poškodovani nastavki običajno počijo.
8. **Uporabljajte osebna zaščitna sredstva. Odvisno od dela, ki ga opravljate, uporabljajte zaščitno masko za obraz in oči ali zaščitna očala. Če je potrebno, uporabljajte zaščitno masko proti prahu, glušnike, rokavice ali predpasnik za zaščito pred drobcimi materiali.** Zaščita za oči mora zadržati leteče drobce, ki so prisotni pri različnih načinih dela. Protiprašna maska ali maska za zaščito dihal mora zadržati prah, ki nastaja med delom. Izpostavljanje hrupu lahko povzroči izgubo sluha.
9. **Pri delu poskrbite, da bodo druge osebe varno oddaljene od delovnega območja. V delovno območje naj vstopajo samo osebe z ustrezno osebno zaščitno opremo.** Leteči drobcji materiala obdelovanca ali počenega nastavka so nevarni in lahko povzročijo poškodbe tudi izven delovnega območja.
10. **Če obstaja nevarnost, da bi z rezilnim orodjem prerezali skrito električno napeljavo ali lasten kabel, držite električno orodje samo na izoliranih držalnih površinah.** Ob stiku z vodniki pod napetostjo dobijo napetost vsi neizolirani kovinski deli električnega orodja, zaradi česar

lahko uporabnik utrpi električni udar.

11. **Pazite, da z vrtečimi se deli orodja ne poškodujete električnega kabla.** V primeru izgube nadzora nad električnim orodjem lahko pride poškodbe električnega kabla, in vam zato lahko to električno orodje poškoduje prste ali roke.
12. **Ne odlagajte električnega orodja iz rok, dokler se nameščeni pribor ne neha vrteti.** Nastavek, ki se še vedno vrti, lahko pride v stik z odlagalno površino in povzroči izgubo nadzora nad električnim orodjem.
13. **Ne puščajte električnega orodja vključenega brez nadzora.** Vrteči se pribor lahko nepričakovano zagrabi vašo obleko in vas poškoduje.
14. **Redno čistite hladilne reže električnega orodja.** Ventilator motorja vsesava v ohišje prah, ki povzroča škodljivo kopičenje prahu in s tem nevarnost električne okvare.
15. **Ne uporabljajte električnega orodja v bližini gorljivih snovi.** Gorljive snovi se lahko vnamejo zaradi iskrenja.
16. **Ne uporabljajte pribora, ki je predviden za uporabo s tekočim hladilnim sredstvom.** Uporaba vode ali drugih tekočin za hlajenje lahko povzroči električni udar.

Opozorila v zvezi s povratnim udarcem

Povratni udarec je nenadna reakcija pri stisnjenju ali zagozdenju vrteče se plošče. Blokada ali zagozdenje namreč povzroči hitro zaustavitev vrtečih se delov orodja, pri čemer orodje sune v obratno smer od smeri gibanja vrtečih se delov.

Če se torej plošča zagozdi ali zablokira v obdelovancu, bo plošča, ki se giblje v smeri zagozditve, spremenila smer gibanja, pri tem izskočila ali pa bo prišlo do povratnega udarca. Plošča lahko odskoči bodisi proti vam ali v nasprotni smeri, kar je odvisno od smeri vodenja rezalnih plošč v točki zagozdenja. Plošča lahko v takšnem primeru tudi počí.

Povratni udarec je posledica nestrokovnega ravnanja z električnim orodjem in/ali neugodnih okoliščin. Preprečite ga lahko z upoštevanjem spodaj navedenih opozoril.

- a) **Električno orodje držite s trdnim prijemom in se postavite v takšen položaj, da lahko prestežete sile povratnega udarca. Če je na električno orodje mogoče namestiti dodatni ročaj, ga tudi uporabljajte, saj vam omogoča najboljši nadzor nad povratnimi udarci ali reakcijskim vrtilnim momentom.** Reakcijske vrtilne momente ali povratne udarce je mogoče učinkovito preprečiti z upoštevanjem previdnostnih ukrepov.
- b) **Ne približujte rok vrtečim se delom električnega orodja.** Nameščeni pribor lahko udari nazaj prek vaše roke.
- c) **S telesom se postavite stran od smeri, v katero orodje lahko skoči v primeru, da pride do povratnega udarca.** Povratni udarec

sunkovito potisne električno orodje v nasprotni smeri vrtenja plošče v točki zagozdenja.

d) **Pri obdelavi vogalov, ostrih robov ipd. je potrebna večja previdnost. Izogibajte se položajem, v katerih lahko orodje odskoči iz obdelovanca ali se zagozdi.** V vogalih in na ostrih robovih obstaja povečana nevarnost povratnega sunka ali zagozdenja pribora. Posledica tega je lahko izguba nadzora ali povratni udarec.

e) **Ne uporabljajte verižnih ali nazobčanih rezil žage.** Tovrstna orodja pogosto povzročijo povratni udarec ali izgubo nadzora nad električnim orodjem.

Varnostna opozorila pri izvajanju brušenja in rezanja:

a) **Uporabljajte samo plošče, ki jih za vaše orodje in ščitnik posebej priporoča proizvajalec.** Plošče, ki niso posebej namenjene za delo z vašim orodjem, ni možno ustrezno namestiti, zato je njihova uporaba lahko nevarna.

b) **Površino za brušenje plošč z ugreznjenim centrom je treba namestiti pod ploskvijo ščitnika.** Nepravilno nameščene plošče, ki gleda prek ravnine ščitnika, ni mogoče zadostno zaščititi.

c) **Za zagotavljanje maksimalne varnosti pri delu mora biti ščitnik rezila pravilno nameščen in tako ustrezno zakrivati kar največ plošče na delu, obrnjenem proti uporabniku.** Ščitnik plošče varuje uporabnika pred izmetom odlomljenih delcev in stikom s ploščo ter iskrenja, ki lahko povzroči vžig oblačil.

d) **Plošče se smejo uporabljati le za priporočene naprave.** Na primer: ne uporabljajte jih za brušenje s stransko ploskvijo. Namenjene so brušenju z robom rezila. Pri izvajanju bočne sile na te plošče lahko počijo.

e) **Uporabljajte samo nepoškodovane prirobnice plošč, ki po dimenziji in obliki ustrezajo uporabljeni plošči.** Ustrezne prirobnice podpirajo ploščo in zmanjšujejo nevarnost zloma plošče. Prirobnice za rezalne plošče se lahko razlikujejo od prirobnic plošč.

f) **Ne uporabljajte izrabljenih plošč, ki ste jih predhodno uporabljali na večjih električnih orodjih.** Plošče večjih električnih orodij niso primerne za višje število obratov na manjših orodij in lahko zato počijo.

Dodatna varnostna opozorila pri izvajanju brušenja in rezanja:

a) **Rezalne plošče ne „blokirate“ ali preobremenjute.** Ne skušajte narediti preglobokih rezov. Preobremenjevanje plošče povečuje možnost zvijanja ali zagozdenja plošče v obdelovancu ter s tem možnost povratnega udarca ali zloma plošče.

b) **Ne postavljajte se v položaje, v katerih ste v primeru povratnega udarca lahko izpostavljeni sunku vrteče se plošče.** Ko se plošča med delovanjem premika stran od vašega telesa, lahko

eventualni povratni udarec potisne vrtečo se ploščo in električno orodje neposredno v upravljavca.

c) **Če je plošča ovirana ali če iz katerega koli razloga rezanje prekinete, držite električno orodje na miru, dokler se plošča popolnoma ne ustavi. Nikoli ne skušajte odstraniti rezalne plošče iz obdelovanca, dokler se plošča še vrti. V nasprotnem primeru lahko pride do povratnega udarca.** Preverite in odpravite vzrok oviranja plošče.

d) **Rezanja ne začnite ponovno v obdelovancu. Najprej počakajte, da plošča doseže polno hitrost, nato pa pazljivo začnite ponovno rezati.** Če začnete z rezanjem v obdelovancu, se lahko plošča zagozdi, lahko pa nastane tudi povratni udarec.

e) **Pod plošče in velike obdelovance postavite podporo, da boste zmanjšali možnost zagozdenja plošče ali povratnega udarca.** Veliki obdelovanci se lahko zaradi lastne teže povesijo. Pod obdelovance je treba zraven linije reza in zraven roba obdelovanca na obeh straneh plošče postaviti podporo.

f) **Bodite še posebej pozorni, ko v obstoječe zidove ali druge slepe točke izvajate „slepe reze“.** Plošča lahko zadene v plinske, vodovodne ali električne napeljave ali predmete, ki lahko povzročijo povratni udarec.

Varnostna opozorila za brušenje:

a) **Ne uporabljajte prevelikega brusnega papirja.** Pri izbiri brusnega papirja upoštevajte priporočile proizvajalca. Večji brusni papir, ki sega prek brusilne blazinice, predstavlja nevarnost pretрга in lahko povzroči zagozditev, trganje ali povratni udarec rezalne plošče.

Varnostna opozorila za žično ščetkanje:

a) **Zavedajte se, da lahko žice ščetke med delovanjem odpadajo. Ne izvajajte čezmernega pritiska na žice, da jih ne preobremenite.** Žice ščetke enostavno prodrejo v lahka oblačila in/ali kožo.

b) **Če je za žično ščetkanje priporočena uporaba ščitnika zagotovite, da se žična plošča ali ščetka ne dotika ščitnika.** Zaradi obremenitev in centrifugalnih sil se lahko poveča premer žične plošče ali ščetke.

Dodatna varnostna opozorila:

17. **Pri uporabi brusilne plošče z ugreznjenim centrom, vedno uporabljajte samo posebej ojačene plošče s steklenimi vlakni.**

18. **S tem brusilnikom NIKOLI NE UPORABLJAJTE plošč za rezanje kamna.** Ta brusilnik ni namenjen za uporabo s temi vrstami plošč, saj lahko povzročijo hude telesne poškodbe.

19. **Pazite, da ne poškodujete vretena, prirobnice (še posebej na delu, kjer se stika z orodjem)**

ali zaskočne matice. Poškodba teh delov lahko povzroči zlom plošče.

20. Zagotovite, da se plošča ne stika z obdelovancem, ko zaženete napravo.
21. Pred začetkom dela na obdelovancu pustite orodje delovati nekaj trenutkov v prostem teku. Bodite pozorni na morebitne vibracije ali tresljaje, ki bi lahko nakazovali na nepravilno nameščeno oziroma slabo centrirano ploščo.
22. Za brušenje uporabljajte ploščo z ustreznou brusilno površino.
23. Orodja ne pustite delovati brez nadzora. Dovoljeno ga je uporabljati samo ročno.
24. Takoj po končani obdelavi se ne dotikajte obdelovanca; ta je lahko zelo vroč in lahko povzroči opekline kože.
25. Za pravilno namestitev in uporabo plošč sledite navodilom proizvajalca. Skrbno ravnajte s ploščami in jih pravilno shranjujte.
26. Ne uporabljajte puš ali adapterjev za prilagoditev velikosti lukenj plošč.
27. Uporabljajte samo pribornice, ki jih posebej za vaše orodje priporoča proizvajalec.
28. Pri orodjih z navojem preverite, če je navoj plošče primerno dolg, da zajame celotno dolžino vretena.
29. Poskrbite za ustrezno podporo obdelovanca.
30. Preverite, če se plošča vrti tudi potem, ko ste orodje že izklopili.
31. Če je v delovnem prostoru zelo vroče in vlažno ali pa je ta poln prevodnega prahu, uporabite stikalo za diferenčni tok (30mA) in tako zagotovite varnost upravljavca.
32. Orodja ne uporabljajte na materialih, ki vsebujejo azbest.
33. Ko uporabljate rezalne plošče, vedno uporabljajte s ščitnikom za zbiranje prahu, kot zahtevajo lokalni predpisi.
34. Na rezalne plošče ne izvajajte bočnega pritiska.

SHRANITE TA NAVODILA.

⚠ OPOZORILO:

NE dopustite si, da bi zaradi udobnejšega dela ali poznavanja izdelka (pridobljenega z večkratno uporabo) opustili striktno upoštevanje varnostnih pravil pri uporabi stroja. ZLORABA ali neupoštevanje varnostnih pravil v teh navodilih za uporabo lahko povzroči hude telesne poškodbe.

OPIS DELOVANJA

⚠ POZOR:

- Pred vsako nastavitvijo ali pregledom nastavitvev stroja se prepričajte, da je le ta izključen in ločen od električnega omrežja.

Zapora vretena

⚠ POZOR:

- Nikoli ne sprožite zapore vretena, ko se ta premika. Orodje se lahko poškoduje.

SI.1

Pritisnite zaporo vretena, da preprečite vrtenje med nameščanjem ali odstranjevanjem pribora.

Položaji za namestitev nastavitvenega držala (Za modele GA7030R, GA7040R, GA9030R in GA9040R)

SI.2

Nastavitveno držalo je možno zasukati za 90° v levo ali desno. Najprej orodje izključite iz električnega omrežja. Pritisnite gumb za zaporo vклоpa in nato obrnite nastavitveno stikalo popolnoma v levo ali desno. Nastavitveno držalo ustrezno pritrdite v zelenem položaju.

⚠ POZOR:

- Pred začetkom dela se prepričajte, da je nastavitveno držalo ustrezno pritrjeno.

Delovanje stikala

⚠ POZOR:

- Pred priključitvijo orodja na električno omrežje se vedno prepričajte, da je stikalo brezhibno in da se vrača v položaj za izklop (OFF), ko ga spustite.

SI.3

Za orodje z zaporo položaja VKLOP

Za zagon orodja povlecite sprožilno stikalo (v smeri B). Za izklop orodja spustite sprožilno stikalo. Za nastavitvev kontinuiranega delovanja povlecite sprožilno stikalo (v smeri B) in nato pritisnite vzvod za zaporo vклоpa (v smeri A). Za izklop kontinuiranega delovanja ponovno pritisnite sprožilno stikalo (v smeri B) in ga nato spustite.

Za orodje z zaporo položaja VKLOP/IZKLOP

SI.4

Orodje je opremljeno z vzvod za zaporo vклоpa, ki preprečuje nenameren vклоp orodja.

Za vклоp orodja pritisnite vzvod za zaporo vклоpa (v smeri A) in nato sprožilno stikalo (v smeri B). Za izklop orodja spustite sprožilno stikalo.

Za nastavitvev kontinuiranega delovanja pritisnite vzvod za zaporo vклоpa (v smeri A), povlecite sprožilno stikalo (v smeri B) in nato vzvod za zaporo vклоpa (v smeri C). Za izklop kontinuiranega delovanja ponovno pritisnite sprožilno stikalo (v smeri B) in ga nato spustite.

Opozorilna lučka

SI.5

Zelena opozorilna lučka se prižge, ko orodje priključite na električno omrežje. Če se opozorilna lučka ne prižge, sta lahko okvarjena napajalni kabel ali elektronsko vezje. Če opozorilna lučka gori in je stikalo v položaju VKLOP, vendar se orodje ne zažene, sta ogljeni ščetki izrabljeni ali pa je prišlo do okvare motorja oziroma vklopno-izklopnega stikala.

Zaščita pred nenamernim vklopom

Vzvod za zaporo vklopa, ki aretira sprožilno stikalo v položaju VKLOP, onemogoča zagon orodja.

V takšnem primeru rdeča opozorilna lučka utripa in sporoča, da se je zagnala funkcija za zaščito pred nenamernim vklopom.

Za izklop funkcije za zaščito pred nenamernim vklopom pritisnite sprožilno stikalo in ga nato sprostite.

Funkcija mehkega zagona

Ob vklopu ti modeli začnejo delovati počasi. Ta funkcija mehkega zagona omogoča gladko delovanje.

MONTAŽA

⚠ POZOR:

- Pred vsakim posegom v orodje se prepričajte, da je le ta izključen in ločen od električnega omrežja.

Nameščanje stranskega ročaja (ročaj)

⚠ POZOR:

- Pred uporabo se vedno prepričajte, da je stranski ročaj varno nameščen.

SI.6

Trdno privijte stranski ročaj na orodje, kot je prikazano na sliki.

Nameščanje ali odstranjevanje ščitnika (za rezalne plošče z ugreznjenim centrom, multi-plošče, ploščate žične ščetke/abrazivne rezalne plošče, diamantne rezalne plošče)

⚠ OPOZORILO:

- Ko uporabljate brusilno ploščo z ugreznjenim centrom/Multi-ploščo, mehko rezalno ploščo ali ploščato žično ščetko, je treba ščitnik namestiti na orodje tako, da je zaprta stran ščitnika vedno obrnjena proti upravljavcu.
- Ko uporabljate abrazivne rezalne plošče/diamantne rezalne plošče, uporabljajte samo poseben ščitnik, narejen za uporabo z rezalnimi ploščami. (V nekaterih evropskih državah lahko med uporabo diamantne rezalne plošče uporabljate običajen ščitnik.)

Za orodje s ščitnikom plošče z blokirnim vijakom

SI.7

Namestite ščitnik z izbočenim delom na pritrdilo ščitnika, poravnano z zarezo na ohišju z ležajem. Nato zavrtite

ščitnik na takšen kot, da lahko zaščiti upravljavca glede na opravilo. Trdno privijte vijak.

Za odstranjevanje ščitnika izvedite postopek namestitve v obratnem vrstnem redu.

Za orodje s ščitnikom s spojno ročico

SI.8

SI.9

Razrahljajte ročico na ščitniku rezalne plošče. Namestite ščitnik rezalne plošče tako, da bo izboklina na jermenu ščitnika poravnana z zarezo na ležajem ohišju. Nato obrnite ščitnik rezalne plošče v položaj, ki je prikazan na sliki. Ščitnik pritrdite s privijem ročice. Če je ročica preveč ali premalo ohlapna, da bi bilo mogoče trdno priviti ščitnik rezalne plošče, privijte ali odvijte matico in tako prilagodite napetost jermena ščitnika rezalne plošče.

Za odstranjevanje ščitnika izvedite postopek namestitve v obratnem vrstnem redu.

Namestitev ali odstranitev brusilne plošče z ugreznjenim centrom/Multi-plošče (pribor)

⚠ OPOZORILO:

- Pri delu z brusilno ploščo z ugreznjenim centrom/multi-ploščo vedno namestite priloženi ščitnik. Ščitnik uporabnika varuje pred rezalno ploščo, ki se lahko med delom razleti.

SI.10

Notranjo prirobnico namestite na vreteno. Namestite rezalno ploščo/ploščo na notranjo prirobnico in privijte zaskočno matico na vreteno.

Super-prirobnica

Modeli z oznako F so serijsko opremljeni s super-prirobnico. V primerjavi s navadno pritrdilno matico je za odprtje super-prirobnice potrebna samo tretjina moči.

Za Avstralijo in Novo Zelandijo

SI.11

Notranjo prirobnico namestite na vreteno. Pritrdite rezalno ploščo na notranjo prirobnico in privijte zaskočno matico z izbočino obrnjeno navzdol (proti rezalni plošči).

SI.12

Za privijanje zaskočne matice trdno pritisnite zaporo vretena, tako da se vreteno ne more obračati. Nato uporabite ključ za zaskočno matico in jo trdno privijte v smeri urinega kazalca.

Za odstranjevanje plošče izvedite postopek namestitve v obratnem vrstnem redu.

Nameščanje ali odstranjevanje brusilne plošče (dodatni pribor)

OPOMBA:

- Uporabite ustrezní komplet za glajenje, naveden v navodilih za uporabo. Komplet ni priložen orodju, temveč ga je treba dokupiti.

SI.13

Namestite gumeni nastavek na vreteno. Namestite ploščo na gumeni nastavek in privijte zaskočno matico na vreteno. Za privijanje zaskočne matice trdno pritisnite zaporo vretena, tako da se vreteno ne more obračati. Nato uporabite ključ za zaskočno matico in jo trdno privijte v smeri urinega kazalca.

Za odstranjevanje plošče izvedite postopek namestitve v obratnem vrstnem redu.

DELOVANJE

⚠ OPOZORILO:

- Nikoli ni potrebno pritiskati orodja. Teža orodja zagotavlja zadosten pritisk. Prisilno in čezmerno pritisiranje lahko povzroči nevaren zlom plošče.
- VEDNO zamenjajte ploščo, če vam orodje med brušenjem pade na tla.
- NIKOLI ne udarjajte s ploščo po obdelovancu.
- Preprečite poskakovanje in zagozdenje plošče, še posebno ko obdelujete kote, ostre robove itd. To lahko povzroči izgubo nadzora in povratni udarec.
- NIKOLI ne uporabljajte orodja z rezili za rezanje lesa in drugih žaginih listov. Takšna rezila lahko pri uporabi z brusilnikom pogosto odskakujejo in povzročijo izgubo nadzora, ki povzroči telesne poškodbe.

⚠ OPOZOR:

- Nikoli ne vključite orodja, ko je v stiku z obdelovancem, saj lahko poškoduje upravljavca.
- Med delovanjem vedno nosite varovalna očala ali ščitnik obraza.
- Po uporabi vedno izklopite orodje in počakajte, da se plošča popolnoma ustavi, preden orodje odložite.

Brušenje

SI.14

VEDNO trdno držite orodje z eno roko za zadnje držalo in z drugo za stransko ročico. Vključite orodje in nato pritisnite rezalno ploščo ali ploščo na obdelovanca.

Na splošno držite rob rezalne plošče ali plošče pod kotom približno 15 stopinj na površino obdelovanca.

Med prodiranjem z uporabo nove rezalne plošče ne premikajte brusilnika v smeri B, ker bo zarezal v obdelovanca. Ko je rob rezalne plošče zaobljen zaradi obrabe, lahko rezalno ploščo premikate tako v smeri A kot tudi v smeri B.

Uporaba lončaste žične ščetke (dodatni pribor)

⚠ OPOZOR:

- Preden pričnete z uporabo lončaste žične ščetke, orodje najprej pustite nekaj trenutkov delovati v prostem teku, ob tem pa orodje obrnite stran od morebitnih prisotnih.

- Ne uporabljajte poškodovane ali izrabljene lončaste žične ščetke. Uporaba poškodovane ščetke predstavlja nevarnost poškodb, ki lahko nastanejo zaradi stika z zlomljenimi žicami.

SI.15

Orodje izključite in ga obrnite na glavo, da bo tako vreteno lažje dosegljivo. Z vretena nato odstranite vse nastavke. Nanj namestite lončasto žično ščetko in jo privijte s priloženim ključem. Pri uporabi lončaste žične ščetke ne uporabljajte prekomerne sile, saj se bodo tako žice na ščetki zvile in se bo ščetka prezgodaj obrabila.

Uporaba ploščate žične ščetke (dodatni pribor)

⚠ OPOZOR:

- Preden pričnete z uporabo ploščate žične ščetke, orodje najprej pustite nekaj trenutkov delovati v prostem teku, ob tem pa orodje obrnite stran od morebitnih prisotnih.
- Ne uporabljajte poškodovane ali izrabljene ploščate žične ščetke. Uporaba poškodovane ploščate žične ščetke predstavlja nevarnost poškodb, ki lahko nastanejo zaradi stika z zlomljenimi žicami.
- Pri uporabi ploščatih žičnih ščetk VEDNO namestite ustrezen ščitnik in pri tem nastavite primerno oddaljenost. Ščitnik uporabnika varuje pred rezalno ploščo, ki se lahko med delom razleti.

SI.16

Orodje izključite in ga obrnite na glavo, da bo tako vreteno lažje dosegljivo. Z vretena nato odstranite vse nastavke. Na vreteno namestite ploščato žično ščetko in jo privijte s priloženim ključem.

Pri uporabi ploščate žične ščetke ne uporabljajte prekomerne sile, saj se bodo tako žice na ščetki zvile in se bo ščetka prezgodaj obrabila.

Uporaba z abrazivnih rezalnih/diamantnih plošč (dodatni pribor)

⚠ OPOZORILO:

- Ko uporabljate abrazivne rezalne plošče/diamantne rezalne plošče, uporabljajte samo poseben ščitnik, narejen za uporabo z rezalnimi ploščami. (V nekaterih evropskih državah lahko med uporabo diamantne rezalne plošče uporabljate običajen ščitnik.)
- NIKOLI ne uporabljajte rezalne plošče za bočno brušenje.
- Rezalne plošče ne „blokirate“ ali preobremenjujte. Ne skušajte narediti preglobokih rezov. Preobremenjevanje plošče povečuje možnost zvijanja ali zagozdenja plošče v obdelovancu ter s tem možnost povratnega udarca ali zloma plošče.
- Rezanja ne začnite v obdelovancu. Najprej počakajte, da plošča doseže polno hitrost, in

potem pomaknite orodje naprej po površini obdelovanca. Če začnete z rezanjem v obdelovancu, se lahko ploščica zagozdi, lahko pa nastane tudi povratni udarec.

- Med rezanjem ne spreminjajte kota plošče. Bočni pritisk na rezalne ploščo (kot pri brušenju) bo povzročil razpoke in zlom plošče in s tem hude telesne poškodbe.
- Diamantne rezalne plošče uporabljajte pravokotno na rezani material.

Notranjo prirobnico namestite na vreteno. Namestite rezalno ploščo/ploščo na notranjo prirobnico in privijte zaskočno matico na vreteno.

SI.17

Za Avstralijo in Novo Zelandijo

Nameščanje ali odstranjevanje abrazivne rezalne plošče/diamantne plošče (dodatni pribor)

SI.18

VZDRŽEVANJE

⚠️ POZOR:

- Preden se lotite pregledovanja ali vzdrževanja orodja, se vedno prepričajte, da je orodje izklopljeno in vtič izvlečen iz vtičnice.
- Nikoli ne uporabljajte bencina, razredčila, alkohola ali podobnega. V tem primeru se orodje lahko razbarva, deformira, lahko pa tudi nastanejo razpoke.

SI.19

Orodje in prezračevalne reže morajo biti čiste. Redno čistite prezračevalne reže orodja ali ko so ovirane.

Menjava oglenih krtačk

SI.20

Kadar se smolnata izolacijska konica v notranjosti oglene ščetke dotakne komutatorja, se motor avtomatsko izklopi. Kadar se to zgodi, morate zamenjati obe ogleni ščetki. Ogleni ščetki morata biti čisti, da bosta lahko neovirano zdrsnili v držali. Zamenjajte obe ogleni ščetki naenkrat. Uporabljajte le enaki ogleni ščetki.

SI.21

Z izvijačem odstranite pokrova krtačk. Izvlecite izrabljeni ogleni krtački, namestite novi in privijte oba pokrova krtačk.

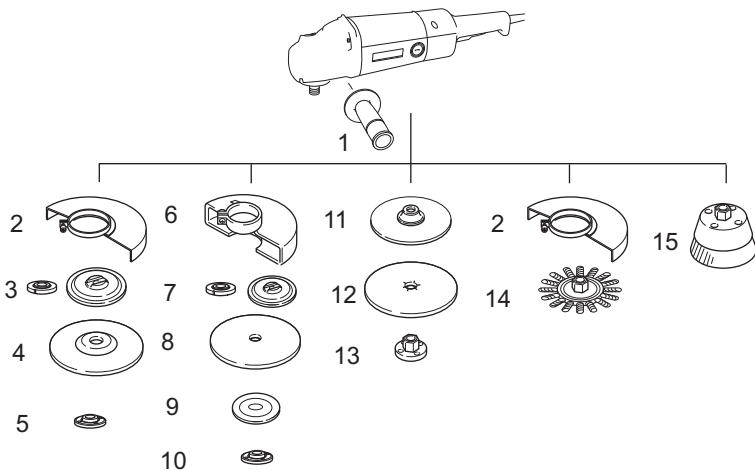
VARNO in ZANESLJIVO delovanje tega izdelka bo zagotovljeno le, če boste popravila, vzdrževanje in nastavitve prepustili pooblaščenemu servisu za orodja Makita, ki vgrajuje izključno originalne nadomestne dele.

DODATNI PRIBOR

⚠️ POZOR:

- Ta dodatni pribor ali pripomočki so predvideni za uporabo z orodjem Makita, ki je opisano v teh navodilih za uporabo. Pri uporabi drugega pribora ali pripomočkov obstaja nevarnost telesnih poškodb. Dodatni pribor ali pripomočke uporabljajte samo za navedeni namen.

Za več informacij o dodatnem priboru in opremi se obrnite na najbližji pooblaščen Makita servis.



1	Stranski ročaj
2	Ščitnik za brusilno ploščo z ugreznjenim centrom/multi-ploščo/okroglo žičnato ščetko
3	Notranja prirobnica / super-prirobnica / notranja prirobnica 102 (samo Avstralija in Nova Zelandija)
4	Brusilna plošča z ugreznjenim centrom/Multi-plošča
5	Protimatica / Ezynut*1
6	Ščitnik za abrazivno rezalno ploščo/diamantno ploščo*2
7	Notranja prirobnica / super-prirobnica / notranja prirobnica 78 (samo Avstralija in Nova Zelandija)
8	Abrazivni rezalni kolut/diamantni kolut
9	Zunanja prirobnica 78 (samo Avstralija in Nova Zelandija)*3
10	Protimatica / Ezynut*1
11	Gumijasta blazinica
12	Abrazivna plošča
13	Protimatica za brušenje
14	Okrogla žičnata ščetka
15	Žična ščetka
—	Ključ za zaskočno matico
—	Priključek protiprašnega pokrova

*1 Ne uporabljajte super-prirobnice in matice Ezynut skupaj.

*2 V evropskih državah lahko pri uporabi diamantne plošče uporabite običajni ščitnik namesto posebnega ščitnika, ki pokriva obe strani plošče.

*3 Uporabljajte notranjo prirobnico 78 in zunanjo prirobnico 78 skupaj. (samo Avstralija in Nova Zelandija)

011513

OPOMBA:

- Nekateri predmeti na seznamu so lahko priloženi orodju kot standardni pribor. Lahko se razlikuje od države do države.

SHQIP (Udhëzimet origjinale)

Shpjegim i pamjes së përgjithshme

1-1. Bllokimi i boshtit	9-2. Leva	17-3. Flanxa e brendshme
2-1. Dhoma e motorit	10-1. Dadoja e bllokimit	17-4. Mbrojtëse disku për diskun smeril prerës/diskun e diamantit
2-2. Butoni bllokues	10-2. Disku i shtypur qendror	18-1. Dadoja e bllokimit
2-3. Doreza	10-3. Flanxa e sipërme	18-2. Flanxa e jashtme 78
3-1. Leva bllokuese	10-4. Flanxa e brendshme	18-3. Disku smeril prerës/disku i diamantit
3-2. Këmbëza e çelësit	11-1. Dadoja e bllokimit	18-4. Flanxa e brendshme 78
4-1. Leva bllokuese	11-2. Disku i shtypur qendror	18-5. Mbrojtëse disku për diskun smeril prerës/diskun e diamantit
4-2. Këmbëza e çelësit	11-3. Flanxa e brendshme	19-1. Ventilatori dalës
5-1. Llamba e treguesit	12-1. Çelësi i dados së bllokimit	19-2. Ventilatori hyrës
7-1. Mbrojtësja e diskut	12-2. Bllokimi i boshtit	20-1. Komutatori
7-2. Vida	13-1. Dadoja e bllokimit	20-2. Maja e salduar izoluese
7-3. Kutia mbajtëse	13-2. Disk smerilimi	20-3. Karbonçina
8-1. Mbrojtësja e diskut	13-3. Blloku prej gome	21-1. Kapaku i mbajtëses së furçave
8-2. Kutia mbajtëse	15-1. Furça e kupës me teli	21-2. Kaçavida
8-3. Dadoja	16-1. Furça e diskut me tela	
8-4. Leva	17-1. Dadoja e bllokimit	
9-1. Dadoja	17-2. Disku smeril prerës/disku i diamantit	

SPECIFIKIMET

Modeli	GA7020R	GA7030R	GA7040R	GA9020R	GA9030R	GA9040R
Diametri i diskut me qendër të shtypur	180 mm			230 mm		
Trashësia maksimale e diskut	6,5 mm	6,5 mm	6,5 mm	6,5 mm	6,5 mm	6,5 mm
Filli i boshtit	M14					
Shpejtësia nominale (n) / Shpejtësia pa ngarkesë (n_0)	8500(min^{-1})			6600(min^{-1})		
Gjatësia e përgjithshme	473 mm	503 mm		473 mm	503 mm	
Pesha neto	5,6 kg	6,3 kg	6,6 kg	5,8 kg	6,5 kg	6,9 kg
Kategoria e sigurisë	II/II					

- Për shkak të programit tonë të vazhdueshëm të kërkim-zhvillimit, specifikimet e përmendura këtu mund të ndryshojnë pa njoftim paraprak.
- Specifikimet mund të ndryshojnë nga njëri shtet në tjetrin.
- Pesha sipas procedurës EPTA 01.2003

ENE048-1

ENG900-1

Përdorimi i menduar

Vegla përdoret për të lëmuar, smeriluar dhe për të prerë materiale metali dhe guri pa përdorimin e ujit.

ENF002-2

Furnizimi me energji

Vegla duhet të lidhet vetëm me një burim energjie me të njëjtin tension të treguar në pllakëzën metalike udhëzuese dhe mund të funksionojë vetëm me rrymë alternative njëfazore. Ata kanë izolim të dyfishtë dhe mund të përdorin priza pa tokëzim.

ENG905-1

Zhurma

Niveli tipik i zhurmës A, i matur sipas EN60745:

Niveli i presionit të zërit (L_{pA}): 90 dB (A)
Niveli i fuqisë së zërit (L_{WA}): 101 dB (A)
Pasiguria (K): 3 dB (A)

Mbani mbrojtëse për veshët

Dridhjet

Vlera totale e dridhjeve (shuma e vektorit me tre akse) përcaktohet sipas EN60745:

Modeli GA7020R

Regjimi i punës: smerilimi i sipërfaqeve
Emetimi i dridhjeve ($a_{h,AG}$): 8,0 m/s^2
Pasiguria (K): 1,5 m/s^2

Regjimi i punës: smerilimi i diskut
Emetimi i dridhjeve ($a_{h,DS}$): 3,0 m/s^2
Pasiguria (K): 1,5 m/s^2

Modeli GA7030R

Regjimi i punës: smerilimi i sipërfaqeve
Emetimi i dridhjeve ($a_{h,AG}$): 6,5 m/s^2
Pasiguria (K): 1,5 m/s^2

Regjimi i punës: smerilimi i diskut
 Emetimi i dridhjeve ($a_{h,DS}$): 3,5 m/s²
 Pasiguria (K): 1,5 m/s²

Modeli GA7040R

Regjimi i punës: smerilimi i sipërfaqeve
 Emetimi i dridhjeve ($a_{h,AG}$): 7,0 m/s²
 Pasiguria (K): 1,5 m/s²

Regjimi i punës: smerilimi i diskut
 Emetimi i dridhjeve ($a_{h,DS}$): 3,0 m/s²
 Pasiguria (K): 1,5 m/s²

Modeli GA9020R, GA9040R

Regjimi i punës: smerilimi i sipërfaqeve
 Emetimi i dridhjeve ($a_{h,AG}$): 6,0 m/s²
 Pasiguria (K): 1,5 m/s²

Regjimi i punës: smerilimi i diskut
 Emetimi i dridhjeve ($a_{h,DS}$): 2,5 m/s² ose më pak
 Pasiguria (K): 1,5 m/s²

Modeli GA9030R

Regjimi i punës: smerilimi i sipërfaqeve
 Emetimi i dridhjeve ($a_{h,AG}$): 5,5 m/s²
 Pasiguria (K): 1,5 m/s²

Regjimi i punës: smerilimi i diskut
 Emetimi i dridhjeve ($a_{h,DS}$): 2,5 m/s² ose më pak
 Pasiguria (K): 1,5 m/s²

ENG902-1

- Vlera e deklaruar e emetimeve të dridhjeve është matur sipas metodës standarde të testimit dhe mund të përdoret për të krahasuar një vegël me një tjetër.
- Vlera e deklaruar e emetimeve të dridhjeve mund të përdoret për një vlerësim paraprak të ekspozimit.
- Vlera e deklaruar e emetimeve të dridhjeve përdoret për aplikacionet kryesore të veglës elektrike. Megjithatë, nëse vegla elektrike përdoret për aplikacione të tjera, vlera e emetimeve të dridhjeve mund të ndryshojë.

⚠️ PARALAJMËRIM:

- Emetimet e dridhjeve gjatë përdorimit aktual të veglës elektrike mund të ndryshojnë nga vlerat e deklaruara të emetimeve në varësi të mënyrave sesi përdoret vegla.
- Sigurohuni që të identifikoni masat e sigurisë për mbrojtjen e përdoruesit, që bazohen në vlerësimin e ekspozimit ndaj kushteve aktuale të përdorimit (duke marrë parasysh të gjitha pjesët e ciklit të funksionimit si ato kur vegla është e fikur dhe punon pa prerë, ashtu edhe kohën e përdorimit).

Vetëm për shtetet evropiane

Deklarata e konformitetit me KE-në

Makita deklarlon që makineria(të) e mëposhtme:

Emërtimi i makinerisë:

Lëmues këndesh

Nr. i modelit/ Lloji: GA7020R, GA7030R, GA7040R, GA9020R, GA9030R, GA9040R

Pajtohet me direktivën evropiane të mëposhtme:

2006/42/KE

Ato janë prodhuar konform standardit ose dokumenteve të standardizuara si vijon:

EN60745

Skedari teknik konform direktivës 2006/42/KE disponohet nga:

Makita, Jan-Baptist Vinkstraat 2, 3070, Belgjikë

31.12.2013



000331

Yasushi Fukaya

Drejtor

Makita, Jan-Baptist Vinkstraat 2, 3070, Belgjikë

GEA010-1

Paralajmërimet e përgjithshme për sigurinë e veglës

⚠️ PARALAJMËRIM Lexoni të gjitha paralajmërimet dhe udhëzimet për sigurinë. Mosndjekja e paralajmërimeve dhe udhëzimeve mund të rezultojë në goditje elektrike, zjarr dhe/ose dëmtim serioz.

Ruajini të gjitha paralajmërimet dhe udhëzimet për të ardhmen.

GEB033-7

PARALAJMËRIMET PËR SIGURINË E LËMUESIT

Paralajmërimet për sigurinë e zakonshme gjatë veprimeve të lëmimit, smerilimit, fshirjes me furçë me tela ose prerjes abrazive:

1. **Kjo vegël elektrike funksionon si lëmues, smerilues, furçë teli ose prerës. Lexoni të gjitha paralajmërimet për sigurinë, udhëzimet, ilustrimet dhe specifikimet e dhëna me këtë vegël elektrike.** Mosndjekja e të gjithë udhëzimeve të mëposhtme mund të shkaktojë goditje elektrike, zjarr dhe/ose dëmtim serioz.
2. **Veprimet si lustrimi nuk rekomandohen për t'u kryer me këtë vegël elektrike.** Veprimet për të cilat vegla elektrike nuk është e përshtatshme mund të krijojnë rrezik dhe të shkaktojnë dëmtime personale.

3. **Mos përdorni aksesorë që nuk janë projektuar dhe rekomanduar nga prodhuesi i veglës.** Fakti që aksesori mund të lidhet me veglën tuaj elektrike, nuk garanton për një proces të sigurt.
 4. **Shpejtësia e matur e aksesorit duhet të jetë minimalisht e barabartë me shpejtësinë maksimale të caktuar në veglën elektrike.**Aksesorët që e kalojnë shpejtësinë e matur mund të thyhen dhe të ndahen në copa.
 5. **Diametri i jashtëm dhe trashësia e aksesorit tuaj duhet të jetë brenda kapacitetit të matur të veglës elektrike.** Aksesorët me përmasa të gabuara nuk mund të mbrohen ose të kontrollohen siç duhet.
 6. **Montimi me fileto i aksesorëve duhet të përputhet me fileton e boshtit të makinerisë prerëse. Për aksesorët e montuar me flanaxh, vrima e boshtit të aksesorit duhet të përputhet me diametrin e folesë së flanaxhës.** Aksesorët që nuk përputhen me pjesën montuese të pajisjes elektrike do të humbasin ekuilibrin, do të lëkundin jashtë mase dhe mund të shkaktojnë humbjen e kontrollit.
 7. **Mos përdorni aksesorë të dëmtuar. Përpara çdo përdorimi kontrolloni aksesorët si p.sh. disqet abrazive për ciflosje dhe krisje, mbështetëset e disqeve për krisje, gërvishitje ose konsumim, furçën me tela për lirim ose thyerje të telave. Nëse vegla elektrike ose aksesori ju bien, kontrolloni për dëmtime ose instaloni një aksesor të padëmtuar. Pas inspektimit dhe instalimit të aksesorëve, qëndroni me personat e tjerë larg trajektorese së rrotullimit të aksesorit dhe lëreni veglën elektrike të punojë me shpejtësi maksimale pa ngarkesë për një minutë.** Aksesorët e dëmtuar zakonisht do të shkëputen nga vegla gjatë këtij testi.
 8. **Mbani veshur pajisje mbrojtëse personale. Në varësi të aplikacionit, përdorni mbrojtëse për fytyrën ose syze sigurie të mëdha ose të vogla. Sipas rastit, mbani maskë kundër pluhurit, mbrojtëse për dëgjimin, doreza dhe përparëse mbrojtëse që mund të ndalojë copëzat abrazive ose të materialit të punës.** Mbrojtësja e syve duhet të ketë aftësi të ndalojë copat fluturuese që prodhohen nga veprimet e ndryshme. Maska kundër pluhurit ose respiratori duhet të jenë në gjendje të filtrojnë grimcat e prodhuara nga funksionimi i pajisjes. Ekspozimi për një kohë të gjatë në zhurma me intensitet të lartë mund të shkaktojë humbjen e dëgjimit.
 9. **Mos i lejoni personat të afrohen në zonën e punës.** Kushdo që hyn në zonën e punës duhet të mbajë veshur mjetet mbrojtëse personale. Copëzat e materialit të punës ose të një aksesori të thyer mund të fluturojnë larg dhe të shkaktojnë dëmtime përtej zonës ku punohet.
 10. **Mbajeni veglën elektrike vetëm të sipërfaqet e izoluar, kur të jeni duke kryer një veprim në të cilin aksesori prerës mund të kontaktojë me tela të fshehur ose kordonin e vet.** Nëse aksesori prerës prek një tel me rrymë atëherë pjesët metalike të veglës elektrike elektrizohen dhe mund t'i japin punëtorit një goditje elektrike.
 11. **Vendoseni kordonin larg aksesorit rrotullues.** Nëse humbinsi kontrollin, kordoni mund të pritët ose të ngatërrohet dhe dora ose krahu juaj mund të shkojnë drejt rrotës rrotulluese.
 12. **Mos e lëshoni veglën elektrike nga dora deri sa aksesori të ketë ndaluar plotësisht.** Aksesori që rrotullohet mund të prekë sipërfaqen dhe mund ta nxjerrë veglën elektrike jashtë kontrollit.
 13. **Mos e ndizni veglën elektrike kur jeni duke e mbajtur anash trupit tuaj.** Kontakti aksidental me aksesorin rrotullues mund ta ngecë atë në rrobat tuaja, duke e tërhequr aksesorin drejt trupit tuaj.
 14. **Pastrani rregullisht vrimat e ajrosjes së veglës elektrike.** Ventilatori i motorit do ta tërheqë pluhurin brenda folesë dhe akumulimi i tepërt i pluhurit të metalit mund të shkaktojë rreziqe elektrike.
 15. **Mos e përdorni veglën elektrike pranë materialeve të ndezshme.** Shkëndijat mund t'i ndezin këto materiale.
 16. **Mos përdorni aksesorë që kërkojnë ftohës të lëngshëm.** Përdorimi i ujit ose i ftohësve të tjerë të lëngshëm mund të rezultojnë në goditje ose në goditje elektrike.
- Kundërveprimi dhe paralajmërimet lidhur me të**
- Kundërveprimi është një reagim i shpejtë që ndodh kur disku prerës, mbështetësja e diskut, furça ose çdo aksesor tjetër bllokohet ose ngec. Bllokimi ose ngecja shkaktojnë një ndalesë të menjëhershme të aksesorit rrotullues e cila shkakton që vegla elektrike të dalë jashtë kontrollit dhe të shkojë në drejtim të kundërt të rrotullimit të aksesorit në pikën e lidhjes.
- Për shembull, nëse një disk abraziv ngec ose bllokohet nga materiali i punës, tehu i diskut që hyn në vendin e bllokimit mund të godasë sipërfaqen e materialit duke bërë që disku të ndërrojë drejtim ose të vijë mbrapsht. Disku mund të kërcejë në drejtim të punëtorit ose larg tij, në varësi të drejtimit të lëvizjes së diskut në momentin e bllokimit. Disqet abrazive edhe mund të thyhen në këto kushte.
- Kundërveprimi është rezultat i keqpërdorimit të veglës elektrike dhe/ose procedurave ose kushteve të pasakta të përdorimit dhe mund të shmangët duke marrë masat parandaluese të dhëna më poshtë.
- a) **Mbajeni veglën elektrike fort dhe vendosni trupin dhe krahun në mënyrë që të pengoni forcat kundërvepruese.** Përdorni gjithmonë dorezën ndihmëse, nëse mundësohet, për një kontroll maksimal mbi kundërveprimin ose reagimin rrotullues gjatë ndezjes. Përdoruesi

mund të kontrollojë reagimet rrotulluese ose forcat kundërvepruese, nëse merren masa parandaluese.

b) **Mos e vini kurrë dorën pranë aksesorit rrotullues.** Aksesori mund të kundërveprojë mbi dorën tuaj.

c) **Mos e poziciononi trupin tuaj në zonën ku vegla elektrike do të lëvizë nëse ndodh kundërveprimi.** Kundërveprimi do ta dërgojë veglën në drejtimin e kundërt të lëvizjes së diskut në pikën e ngecjes.

d) **Tregoni kujdes të veçantë kur të punoni në cepa, anë të mprehta etj. Shmangni kërcimet dhe ngecjen e aksesorit.** Cepat, anët e mprehta ose kërcimet kanë një tendencë për të shkaktuar ngecjen e aksesorit rrotullues që shkaktin humbjen e kontrollit ose kundërveprimin.

e) **Mos vendosni një fletë sharre me zinxhir për drutë ose një fletë sharre të dhëmbëzuar.** Fletët e tilla krijojnë kundërveprime të shpeshta dhe humbje kontrolli.

Paralajmërimet për sigurinë specifike gjatë veprimeve të lëimit dhe prerjes abrazive:

a) **Përdorni vetëm llojet e disqeve që janë të rekomanduara për veglën tuaj elektrike dhe mbrojtësen specifike të projektuar për diskun e zgjedhur.** Disqet të cilët nuk janë projektuar për veglën elektrike nuk mund të mbrohen dhe nuk janë të sigurta.

b) **Sipërfaqja smeriluese e disqeve të shtypur qendrorë duhet të montohet poshtë rrafshit të buzëve mbrojtëse.** Një disk që është montuar keq dhe që del nga rrafshi i buzëve mbrojtëse, nuk mund të mbrohet siç duhet.

c) **Mbrojtësja duhet të lidhet në mënyrë të sigurt me pajisjen elektrike dhe të pozicionohet për siguri maksimale, në mënyrë që një pjesë shumë e vogël e diskut të jetë e zbuluar nga ana e përdoruesit.** Mbrojtësja ndihmon në ruajtjen e përdoruesit nga copëzat e thyera të diskut, kontakti aksidental me diskun dhe shkëndijat që mund të ndezin rrobat.

d) **Disqet duhet të përdoren vetëm për aplikacionet e rekomanduara.** Për shembull: mos smeriloni me anën e diskut prerës. Disqet abrazive prerëse janë synuar për smerilim anësor, forcat anësore të ushtruara mbi këto disqe mund të shkaktojnë thyerjen e tyre.

e) **Gjithmonë përdorni flanaxha disqesh të padëmtuara të madhësisë dhe formës së diskut të zgjedhur.** Flanaxhat e përshtatshme të disqeve mbështesin diskun duke reduktuar mundësinë e thyerjes së tij. Flanaxhat për disqet e prerjes mund të jenë ndryshe nga flanaxhat e disqeve të smerilimit.

f) **Mos përdorni disqe të konsumuara nga pajisje më të mëdha elektrike.** Disku i synuar për pajisje më të mëdha elektrike nuk është i përshtatshëm për shpejtësinë e madhe të pajisjes

së vogël dhe mund të plasë.

Paralajmërimet për sigurinë specifike gjatë veprimeve të prerjes abrazive:

a) **Mos e “bllokoni” diskun prerës ose mos ushtroni presion të tepërt mbi të.** Mos tentoni të kryeni një prerje të thellë. Ushtrimi i forcës mbi disk rrit ngarkesën dhe ndjeshmërinë ndaj përdredhjeve ose kapjes së diskut gjatë prerjes dhe mundësinë e kundërveprimit ose thyerjes së diskut.

b) **Mos e poziciononi trupin tuaj në linjë dhe mbrapa diskut prerës.** Kur disku, në pikën e veprimit, po largohet nga trupi juaj, kundërveprimi i mundshëm mund ta dërgojë diskun prerës dhe veglën elektrike në drejtimin tuaj.

c) **Kur disku kapet ose kur ndërprisni prerjen për çdo lloj arsyeje, fikeni veglën elektrike dhe mbajeni pa lëvizur derisa disku të ndalojë plotësisht.** Mos tentoni kurrë ta tërhiqni diskun nga vendi i prerjes ndërsa disku është duke lëvizur, përndryshe mund të ndodhë kundërveprimi. Hetoni dhe ndërmerrni veprime korrigjuese për të eliminuar shkaqet e kapjes së diskut.

d) **Mos e rifilloni procesin e prerjes sipër materialit të punës.** Lejoni diskun të arrijë shpejtësinë maksimale dhe më pas hyni përsëri të vendi i prerjes. Disku mund të kapet shumë, të shkojë lart ose të kundërveprojë nëse vegla elektrike rindizet mbi materialin e punës.

e) **Mbështetni panelet ose çdo material pune të madh për të minimizuar rrezikun e bllokimit dhe të kundërveprimit të diskut.** Materialet e mëdha kanë tendencë të përkulen nga pesha e tyre. Mbështetëset duhet të vendosen nën materialin e punës pranë vijës prerëse dhe buzës së materialit të punës nga të dy anët e diskut.

f) **Tregoni kujdes të veçantë kur të bëni një “prerje në xhep” mbi muret ekzistuese ose në zona të tjera me shikim të kufizuar.** Disku i dalë mund të presë tuba gazi ose uji, tela elektrikë ose objekte që shkaktojnë kundërveprim.

Paralajmërimet për sigurinë specifike gjatë veprimeve të smerilimit:

a) **Mos përdorni një letër të madhe disku për smerilim.** Ndigni rekomandimet e prodhuesve kur të zgjidhni letër smerile. Letra smerile më e madhe se mbështetësja e rrotës krijon rrezik dëmtimi dhe mund të shkaktojë ngecjen, thyerjen ose kundërveprimin e diskut.

Paralajmërimet për sigurinë specifike gjatë veprimeve të fshirjes me tela:

a) **Mbani parasysh që qimet e forta të telit shkëputen nga furçat edhe gjatë funksioneve të zakonshme.** Mos i sforconi telat duke ushtruar forcë mbi furçën. Qimet e forta të telit mund të depërtojnë në rrobat e holla dhe/ose në lëkurë.

b) Nëse rekomandohet përdorimi i mbrojtëses për fshirjen me tela, mos lejoni ndërhyrjen e diskut ose furçës së telit të mbrojtësja. Disku ose furça e telit mund të zgjerohet në diametër nga ngarkesa e punës dhe forcat centrifugale.

Paralajmërimet shtesë mbi sigurinë:

17. Kur të përdorni disqe lëmuese me qendër të shtypur, sigurohuni të përdorni vetëm disqe të përforcuara me fibër qelqi.
18. **KURRË MOS PËRDORNI** disqe të llojit Stone Cup me këtë lëmuës. Ky lëmuës nuk është projektuar për këto lloje disqesh dhe përdorimi i këtij produkti mund të shkaktojë dëmtime personale.
19. **Tregoni kujdes se mos dëmtoni boshtin, flanxhën (sidomos sipërfaqen e instalueshme) ose dadon e bllokimit.** Dëmtimi i këtyre pjesëve mund të shkaktojë thyerjen e diskut.
20. Sigurohuni që disku nuk e prek materialin e punës përpara se të ndizet çelësi.
21. Përpara se të përdorni veglën mbi një material aktual, lëreni të punojë për ca kohë. Tregoni kujdes për dridhjet ose lëkundjet që dëshmojnë për një instalim të gabuar ose një disk jo në ekuilibër.
22. Përdorni sipërfaqen e specifikuar të diskut për të kryer lëmimin.
23. Mos e lini veglën të ndezur. Përdoreni veglën vetëm duke e mbajtur në dorë.
24. Mos e prekni materialin e punës menjëherë pas punës; mund të jetë shumë i nxehtë dhe mund t'ju djegë lëkurën.
25. Shihni udhëzimet e prodhuesit për montimin dhe përdorimin e saktë të disqeve. Trajtojini dhe ruajini disqet me kujdes.
26. Mos përdorni unaza zvogëluese ose reduktorë për të përshtatur disqet abrazive me vrimë të madhe.
27. Përdorni vetëm flanxa specifike për këtë vegël.
28. Për veglat që do të punojnë me disqe që kanë vrimë të filetuar, sigurohuni që fileta në disk të jetë aq e gjatë sa të pranojë të gjithë boshtin.
29. Kontrolloni që materiali i punës është mbështetur siç duhet.
30. Tregoni kujdes, sepse disku vazhdon rrotullimin edhe pasi të jetë fikur vegla.
31. Nëse ambienti i punës është shumë i nxehtë dhe me lagështirë ose i ndotur shumë me pluhur të përçueshëm, përdorni një ndërprerës qarku (30 mA) për të siguruar përdoruesin.
32. Mos e përdorni veglën mbi materiale që përmbajnë asbest.
33. Kur përdorni disk prerës, gjithmonë punoni me mbrojtësen e diskut që mbledh pluhurin siç kërkohet nga rregullat vendase.
34. Mbi disqet prerës nuk duhet të ushtrohet forcë anësore.

▲PARALAJMËRIM:

MOS lejoni që njohja ose familjarizimi me produktin (të fituara nga përdorimi i shpeshtë) të zëvendësojnë zbatimin me përpikëri të rregullave të sigurisë për produktin në fjalë. **KEQPËRDORIMI** ose mosndjekja e rregullave të sigurisë të dhëna në këtë manual përdorimi mund të shkaktojë dëmtime personale serioze.

RUAJINI KËTO UDHËZIME.

PËRSHKRIMI I PUNËS

⚠️KUJDES:

- Jini gjithnjë të sigurt që vegla është fikur dhe hequr nga korrenti përpara se ta rregulloni apo t'i kontrolloni funksionet.

Blokimi i boshtit

⚠️KUJDES:

- Mos e aktivizoni kurrë bllokimin e boshtit kur boshti është në rrotullim. Vegla mund të dëmtohet.

Fig.1

Shtypni bllokimin e boshtit për të parandaluar rrotullimin e boshtit gjatë instalimit apo heqjes së aksesoreve.

Pozicionin e montimit të dorezës së çelësit

(Për modelet GA7030R, GA7040R, GA9030R dhe GA9040R)

Fig.2

Doreza e çelësit mund të rrotullohet me kënd 90° majtas ose djathtas sipas nevojave tuaja të punës. Si fillim, hiqni veglën nga priza. Shtypni butonin e bllokimit dhe rrotulloni plotësisht dorezën e çelësit majtas ose djathtas. Doreza e çelësit do të kyçet në atë pozicion.

⚠️KUJDES:

- Gjithmonë sigurohuni që doreza e çelësit të jetë kyçur në pozicionin e dëshiruar para se të vihet në punë pajisja.

Veprimi i ndërrimit

⚠️KUJDES:

- Përpara se ta vendosni veglën në korrent, kontrolloni gjithmonë nëse këmbëza çelësi është në pozicionin e duhur dhe nëse kthehet në pozicionin "FIKUR" kur lëshohet.

Fig.3

Për veglat me çelës bllokimi

Për ta ndezur veglën, thjesht tërhiqni çelësin (në drejtimin B). Lëshoni çelësin për ta ndaluar. Për punë të vazhdueshme, tërhiqni çelësin (në drejtimin B) e më pas shtypni levën e bllokimit (në drejtimin A). Për ta nxjerrë veglën nga pozicioni i bllokimit, tërhiqni deri në fund çelësin (në drejtimin B) dhe më pas lëshojeni.

Për veglat me çelës bllokimi dhe zhblokimi

Fig.4

Për të parandaluar tërheqjen aksidentale të çelësit, është siguruar një levë bllokimi.

Për ta ndezur veglën shtyni brenda levën e bllokimit (në drejtimin A) dhe më pas tërhiqni çelësin (në drejtimin B). Lëshoni çelësin për ta ndaluar.

Për punë të vazhdueshme shtyni brenda levën e bllokimit (në drejtimin A), tërhiqni çelësin (në drejtimin B) dhe më pas tërhiqni levën e bllokimit (në drejtimin C).

Për të nxjerrë veglën nga pozicioni i bllokuar, tërhiqni çelësin plotësisht mbrapa (në drejtimin B) dhe më pas lëshojeni.

Llamba e treguesit

Fig.5

Llamba sinjalizuese ndizet me ngjyrë të gjelbër kur pajisja vihet në prizë. Nëse llamba sinjalizuese nuk ndizet, kabloja kryesore ose kontrolluesi mund të ketë defekt. Kur llamba sinjalizuese është ndezur por vetë pajisja nuk nisët edhe pse ajo është ndezur, karbonçinat mund të jenë konsumuar ose kontrolluesi, motori ose çelësi i ndezjes/fikjes mund të ketë defekt.

Mbrojtja ndaj rindezjes aksidentale

Edhe kur një levë bllokimi që e mban të shtypur çelësin (në pozicionin e bllokimit) nuk lejon rindezjen aksidentale të veglës edhe kur ajo është në prizë.

Në këtë kohë llamba sinjalizuese pulson me dritë të kuqe dhe tregon që mbrojtja ndaj rindezjes aksidentale të veglës është në funksion.

Për të anuluar mbrojtjen ndaj rindezjes aksidentale, tërhiqni çelësin plotësisht mbrapa dhe më pas lëshojeni.

Tipari i ndezjes së ngadalë

Këto modele nisin punën me ngadalë kur ndizen. Ky tipar i ndezjes së ngadalë siguron një funksionim pa probleme.

MONTIMI

⚠️KUJDES:

- Jini gjithnjë të sigurt që vegla është fikur dhe hequr nga korrenti përpara se të bëni ndonjë punë mbi të.

Instalimi i mbajtëses (dorezës) anësore

⚠️KUJDES:

- Sigurohuni gjithnjë që mbajtësja anësore është instaluar siç duhet përpara përdorimit.

Fig.6

Vidhoseni mirë mbajtësen anësore në pozicionin e veglës siç tregohet në figurë.

Instalimi ose heqja e mbrojtëses së diskut (për disk me qendër të shtypur, multidisk, disk me furçë teli / disk prerës smeril, disk diamanti)

⚠️PARALAJMËRIM:

- Kur përdorni disk lërimi/multidisk me qendër të shtypur, disk guri fleksibël, disk me furçë teli, mbrojtësja e diskut duhet të përshtatet në vegël në mënyrë të tillë që ana e mbyllur e mbrojtëses të tregojë gjithnjë nga përdoruesi.
- Kur përdorni disk smeril prerës / diamanti, sigurohuni të përdorni vetëm mbrojtësen e posaçme të diskut të projektuar për përdorim me

disqe prerëse. (Në disa shtete evropiane kur përdoret disku i diamantit mund të përdoret dhe mbrojtëse e zakonshme.

Për vegla me mbrojtëse disku të llojit me vidë bllokuese

Fig.7

Montojeni mbrojtësen e diskut me të dalën e rripit të mbrojtëses të rreshtuar në një vijë me dhëmbëzën e kutisë mbajtëse. Në vijim rrotullojeni mbrojtësen e diskut në kënd të atillë që të mund ta mbrojë përdoruesin sipas punës që kryhet. Sigurohuni ta shtrëngoni mirë vidën. Për ta hequr mbrojtësen e diskut, ndiqni procedurën e anasjellë të instalimit.

Për vegël me mbrojtëse disku të llojit me levë mbërthyes

Fig.8

Fig.9

Lironi levën në mbrojtësen e diskut. Montojeni mbrojtësen e diskut me të dalën në shiritin e mbrojtëses së diskut të rreshtuar në një vijë me dhëmbin e kutisë mbajtëse. Më pas rrotulloni mbrojtësen e diskut në pozicionin që tregohet në figurë. Shtrëngoni levën për të mbërthyer mbrojtësen e diskut. Nëse leva është shumë e shtrënguar ose shumë e lirë për të mbajtur mbrojtësen e diskut, lironi ose shtrëngoni dadon për të rregulluar shtrëngimin e mbrojtëses së diskut.

Për ta hequr mbrojtësen e diskut, ndiqni procedurën e anasjellë të instalimit.

Instalimi ose heqja e diskut lëmues me qendër të shtypur/multidiskut (aksesor)

⚠️ PARALAJMËRIM:

- Përdorni gjithmonë mbrojtësen e ofruar kur në vegël keni vënë diskun lëmues/multidiskun me qendër të shtypur. Disku mund të thyhet gjatë përdorimit dhe mbrojtësja ndihmon në uljen e mundësive për lëndime personale.

Fig.10

Montoni flanxhën e brendshme në bosht. Futni diskun në flanxhën e brendshme dhe vidhosni dadon bllokuese te boshti.

Flanxa e sipërme

Modelet me shkronjën F janë pajisur si standard me një super flanxhë. Krahasuar me llojin tradicional, nevojitet vetëm 1/3 e forcës për të kthyer mbrapsht dadon e kycjes.

Për Australinë dhe Zelandën e Re

Fig.11

Montoni flanxhën e brendshme në bosht. Përshtatni diskun në flanxhën e brendshme dhe vidhosni dadon e kycjes me pjesën e dalë të drejtuar nga poshtë (të drejtuar nga disku).

Fig.12

Për ta shtrënguar dadon bllokuese, shtypni bllokimin e boshtit aq fort sa boshti të mos rrotullohet më, pastaj përdorni çelësin e dados së bllokimit dhe shtrëngojeni mirë në drejtim orar.

Për ta hequr diskun, ndiqni procedurën e anasjellë të instalimit.

Instalimi ose heqja e diskut të smerilimit (aksesor opsional)

SHËNIM:

- Përdorni vetëm aksesorët rektifikues të përcaktuar në këtë manual. Këto duhet të blihen më vete.

Fig.13

Montoni bllokun e gomës në bosht. Vendosni diskun mbi bllokun e gomës dhe mbërtheni dadon bllokuese te boshti. Për ta shtrënguar dadon bllokuese, shtypni bllokimin e boshtit aq fort sa boshti të mos rrotullohet më, pastaj përdorni çelësin e dados së bllokimit dhe shtrëngojeni mirë në drejtimin orar.

Për ta hequr diskun, ndiqni procedurën e anasjellë të instalimit.

PËRDORIMI

⚠️ PARALAJMËRIM:

- Nuk duhet të jetë kurrë e nevojshme të sforconi veglën. Peshja e veglës jep presionin e duhur. Sforcimi dhe presioni i tepërt mund të shkaktojnë thyerje të rrezikshme të diskut.
- Zëvendësojeni GJITHMONË diskun nëse vegla bie gjatë lëmimit.
- Mos e përplasni apo godisni KURRË diskun e lëmimit në punë.
- Shmangni dridhjen dhe lëkundjen e diskut, sidomos kur punoni në kënde, anë të mprehta etj. Kjo mund të shkaktojë humbje të kontrollit dhe kundërveprim.
- Mos e përdorni KURRË veglën me tehe për prerje të drurit apo tehe të tjera sharrash. Tehet e tilla kur përdoren me lëmues kërcejnë shpesh dhe shkaktojnë humbje të kontrollit që mund të sjellë lëndimin tuaj.

⚠️ KUJDES:

- Mos e ndizni kurrë veglën kur është në kontakt me materialin e punës. Kjo mund të shkaktojë lëndim të përdoruesit.
- Gjithmonë përdorni syze mbrojtëse ose një mbrojtëse të fytyrës gjatë punës.
- Pas pune fikeni gjithnjë veglën dhe prisni derisa disku të ndalojë tërësisht përpara se ta vendosni veglën diku.

Lëmimi dhe smerilimi

Fig.14

Mbajeni veglën GJITHMONË mirë me një rënë dorë në dorezën e pasme dhe me tjetrën në dorezën anësore. Ndizeni veglën dhe përdorni diskun mbi materialin e punës.

Përgjithësisht, mbajeni buzën e diskut ose në një kënd rreth 15 gradë ndaj sipërfaqes së materialit të punës. Gjatë periudhës së përdorimit të parë të diskut të ri, mos punoni me mprehësin në drejtimin B përndryshe do ta prisni materialin e punës. Pasi të jetë rumbullakosur disi buza e diskut nga përdorimi, disku mund të përdoret edhe në drejtimin A, edhe në drejtimin B.

Vënia në punë me furça me kupë me tela (aksesor opsional)

△KUJDES:

- Kontrolloni funksionimin e furçës duke e ndezur veglën pa ngarkesë, duke u siguruar se nuk ndodhet askush përpara ose në një drejtim me furçën.
- Mos përdorni furçë të dëmtuar ose jo të ekuilibruar. Përdorimi i furçës së dëmtuar mund të rrisë mundësitë për lëndime nga kontakti me telat e prishura të furçës.

Fig.15

Hiqni veglën nga priza dhe vendoseni me kokë poshtë duke lejuar arritjen e lehtë të boshtit. Hiqni çdo aksesori nga boshti. Montoni në bosht furçën me kupë me tela dhe shtrëngojeni me çelësin e ofruar. Gjatë përdorimit të furçës shmangni ushtrimin e presionit të madh që shkakton përkulje të madhe të telave duke çuar në prishje të parakohshme.

Vënia në punë me diskun me furçë me tela (aksesor opsional)

△KUJDES:

- Kontrolloni funksionimin e diskut me furçë me tela duke e ndezur veglën pa ngarkesë, duke u siguruar se nuk ndodhet askush përpara ose në një drejtim me diskun me furçë me tela.
- Mos përdorni disk me furçë me tela të dëmtuar ose jo të ekuilibruar. Përdorimi i diskut me furçë me tela të dëmtuar mund të rrisë mundësitë për lëndime nga kontakti me telat e prishura.
- Përdorni GJITHMONË mbrojtësen për diskun me furçë me tela, duke u siguruar që diametri i diskut të përputhet brenda mbrojtëses. Disku mund të thyhet gjatë përdorimit dhe mbrojtësja ndihmon në uljen e mundësive për lëndime personale.

Fig.16

Hiqni veglën nga priza dhe vendoseni me kokë poshtë duke lejuar arritjen e lehtë të boshtit. Hiqni çdo aksesori nga boshti. Filetoni në bosht diskun me furçë me tela dhe shtrëngojeni me çelës.

Gjatë përdorimit të diskut me furçë me tela shmangni ushtrimin e presionit të tepërt që shkakton përkuljen e madhe të telave, duke çuar në prishje të parakohshme.

Puna me disk prerës smeril / disk diamanti (aksesor opsional)

△PARALAJMËRIM:

- Kur përdorni disk smeril prerës / diamanti, sigurohuni të përdorni vetëm mbrojtësen e posaçme të diskut të projektuar për përdorim me disqe prerëse. (Në disa shtete evropiane kur përdoret disku i diamantit mund të përdoret dhe mbrojtëse e zakonshme.
- Mos përdorni KURRË disk prerës për lëvim anësor.
- Mos e "blokoni" diskun ose mos ushtroni presion të tepërt mbi të. Mos u përpini të bëni prerje tepër të thellë. Sforcimi i tepërt i diskut shton ngarkesën dhe gjasat për përdredhje ose kapje të diskut përgjatë prerjes dhe mundësinë e kundërveprimit, mund të ndodhë thyerje e diskut ose mbinxehje e motorit.
- Mos e filloni prerjen brenda materialit të punës. Lërimi i diskut të kapë shpejtësinë maksimale dhe hyni me kujdes gjatë prerjes duke e lëvizur veglën përpara mbi sipërfaqen e materialit të punës. Disku mund të kapet, të kërcejë sipër ose të kundërveprojë nëse vegla elektrike nis brenda materialit të punës.
- Gjatë prerjeve mos e ndryshoni kurrë këndin e diskut. Ushtrimi i presionit anësor mbi diskun prerës (ashtu si gjatë lëimit) do të shkaktojë krisjen dhe thyerjen e diskut, duke ju shkaktuar lëndime të rënda.
- Disku i diamantit duhet të përdoret pingul mbi materialin që do të pritet.

Montoni flaxhën e brendshme në bosht. Futni diskun në flaxhën e brendshme dhe vidhosni dadon bllokuese te boshti.

Fig.17

Për Australinë dhe Zelandën e Re

Instalimi ose heqja e diskut prerës smeril / diskut të diamantit (aksesor opsional)

Fig.18

MIRËMBAJTJA

△KUJDES:

- Sigurohuni gjithnjë që vegla të jetë fikur dhe të jetë hequr nga korrenti përpara se të kryeni inspektimin apo mirëmbajtjen.
- Mos përdorni kurrë benzinë, benzinë pastrimi, hollues, alkool dhe të ngjashme. Mund të shkaktoni çngjyrosje, deformime ose krisje.

Fig.19

Vegla dhe ventilatorët e saj duhen mbajtur pastër. Pastrojini rregullisht vrimat e ajrit të veglës ose kurdo që nisin të bllokohen.

Zëvendësimi i karbonçinave**Fig.20**

Kur maja e izolimit me graso brenda karbonçinës ekspozohet në kontakt me komutatorin, kjo do të fikë automatikisht motorin. Kur kjo ndodh, të dyja karbonçinat duhet të zëvendësohen. Mbajini karbonçinat të pastra dhe që të hyjnë lirisht në mbajtëset e tyre. Të dyja karbonçinat duhen zëvendësuar në të njëjtën kohë. Përdorni vetëm karbonçina identike.

Fig.21

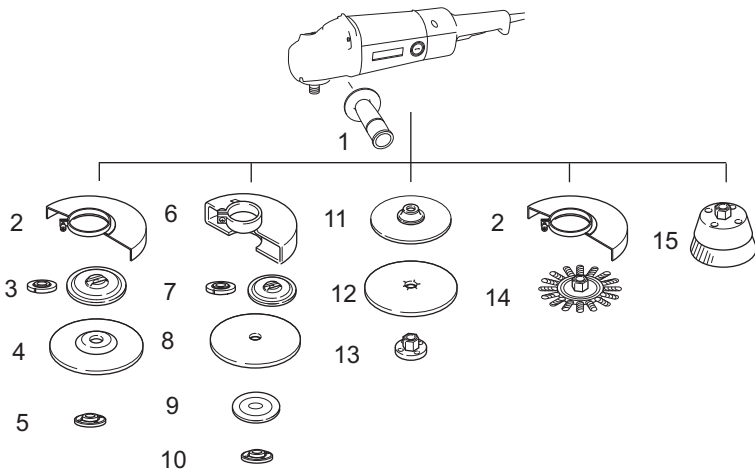
Përdorni kaçavidë për të hequr kapakët e mbajtëseve të karbonçinave. Hiqni karbonçinat e konsumuara, futni të rejtat dhe siguroni kapakët e mbajtëseve të tyre. Për të ruajtur SIGURINË dhe QËNDRUESHMËRINË, riparimet dhe çdo mirëmbajtje apo rregullim tjetër duhen kryer nga qendrat e autorizuara të shërbimit të Makita-s, duke përdorur gjithnjë pjesë këmbimi të Makita-s.

AKSESORË OPSIONALE

⚠️KUJDES:

- Këta aksesorë ose shtojca rekomandohen për përdorim me veglën Makita të përcaktuar në këtë manual. Përdorimi i aksesorëve apo shtojcave të tjera ndryshe nga këto mund të përbëjë rrezik lëndimi. Aksesorët ose shtojcat përdorini vetëm për qëllimin e tyre të përcaktuar.

Nëse keni nevojë për më shumë të dhëna në lidhje me aksesorët, pyesni qendrën vendore të shërbimit të Makita-s.



1	Mbajtësja anësore
2	Mbrojtëse rrote për diskun e shtypur lëmues qendror / Multidisk / Furça e diskut me tela
3	Flanxha e brendshme / Flanxha e sipërme / Flanxha e brendshme 102 (vetëm Australi dhe Zelandë e Re)
4	Disku lëmues me qendër të shtypur/Multidisku
5	Dadoja bllokuese / dadoja Ezynut*1
6	Mbrojtëse rrote për diskun abraziv prerës/diskun e diamantit*2
7	Flanxha e brendshme / Flanxha e sipërme / Flanxha e brendshme 78 (vetëm Australi dhe Zelandë e Re)
8	Disku abraziv prerës/disku i diamantit
9	Flanxha e jashtme 78 (vetëm Australi dhe Zelandë e Re) *3
10	Dadoja bllokuese / dadoja Ezynut*1
11	Bloku prej gome
12	Disk smerilimi
13	Dadoja bllokuese për smerilim
14	Furça e diskut me tela
15	Furça e kupës me teli
—	Çelësi i dados së bllokimit
—	Pajisja e kutisë së pluhurave

*1 Mos i përdorni flanxhën e sipërme dhe dadon Ezynut së bashku.

*2 Në shtetet evropiane, gjatë përdorimit të diskut të diamantit, mund të përdoret mbrojtësja e zakonshme e rrotës në vend të mbrojtëses së veçantë që mbulon të dyja anët e diskut.

*3 Përdorni flanxhën e brendshme 78 dhe flanxhën e jashtme 78 së bashku. (vetëm Australi dhe Zelandë e Re)

011513

SHËNIM:

- Disa artikuj të listës mund të përfshihen në paketën e veglës si aksesorë standardë. Ato mund të ndryshojnë nga njëri shtet në tjetrin.

БЪЛГАРСКИ (Оригинална инструкция)

Разяснение на общия изглед

1-1. Блокировка на вала	9-2. Лост	17-3. Вътрешен фланец
2-1. Корпус на електромотор	10-1. Закрепваща гайка	17-4. Предпазител за абразивен диск за рязане/диамантен диск
2-2. Бутон за блокировка	10-2. Диск с вдлъбнат център	18-1. Закрепваща гайка
2-3. Дръжка	10-3. Супер фланец	18-2. Външен фланец 78
3-1. Блокиращо лостче	10-4. Вътрешен фланец	18-3. Абразивен диск за рязане/диамантен диск
3-2. Пусков прекъсвач	11-1. Закрепваща гайка	18-4. Вътрешен фланец 78
4-1. Блокиращо лостче	11-2. Диск с вдлъбнат център	18-5. Предпазител за абразивен диск за рязане/диамантен диск
4-2. Пусков прекъсвач	11-3. Вътрешен фланец	19-1. Изходящ вентилационен отвор
5-1. Светлинен индикатор	12-1. Ключ за закрепваща гайка	19-2. Входящ вентилационен отвор
7-1. Предпазител на диска	12-2. Блокировка на вала	20-1. Комутатор
7-2. Винт	13-1. Закрепваща гайка	20-2. Изолиращ наконечник
7-3. Лагерна кутия	13-2. Абразивен диск	20-3. Въглеродна четка
8-1. Предпазител на диска	13-3. Гумена подложка	21-1. Капачка на четкодържач
8-2. Лагерна кутия	15-1. Телена четка	21-2. Отвертка
8-3. Гайка	16-1. Кръгла телена четка	
8-4. Лост	17-1. Закрепваща гайка	
9-1. Гайка	17-2. Абразивен диск за рязане/диамантен диск	

СПЕЦИФИКАЦИИ

Модел	GA7020R	GA7030R	GA7040R	GA9020R	GA9030R	GA9040R
Диаметър на диск с вдлъбнат център	180 мм			230 мм		
Макс. дебелина на диска	6.5 мм	6.5 мм	6.5 мм	6.5 мм	6.5 мм	6.5 мм
Резба на вала	M14					
Номинални обороти (n) / Обороти без товар (n ₀)	8 500(мин ⁻¹)			6 600(мин ⁻¹)		
Обща дължина	473 мм	503 мм		473 мм	503 мм	
Нето тегло	5.6 кг	6.3 кг	6.6 кг	5.8 кг	6.5 кг	6.9 кг
Клас на безопасност	□/Л					

- Поради нашата непрекъсната научно-развойна дейност посочените тук спецификации могат да бъдат променени без предизвестие.
- Спецификациите може да са различни в различните държави.
- Тегло съгласно метода EPTA 01/2003

ENE048-1

Предназначение

Този инструмент е предназначен за шлифване, шмиргелене и рязане на метал и камък без използване на вода.

ENF002-2

Захранване

Инструментът следва да се включва само към захранване със същото напрежение, като посоченото на фирмената табелка и работи само с монофазен променлив ток. Той е с двойна изолация и затова може да се включва и в контакти без заземяване.

ENG905-1

Шум

Обичайното средно претеглено ниво на шума, определено съгласно EN60745:

Ниво на звуково налягане (L_{pA}): 90 dB (A)
Ниво на звукова мощност (L_{WA}): 101 dB (A)
Коефициент на неопределеност (K): 3 dB (A)

Използвайте антифони

ENG900-1

Вибрации

Общата стойност на вибрациите (сума от три осови вектора), определена съгласно EN60745:

Модел GA7020R

Работен режим: шлайфане на повърхности
Ниво на вибрациите (a_{h,AG}): 8.0 м/с²
Коефициент на неопределеност (K): 1.5 м/с²

Работен режим: шкурене с диск
Ниво на вибрациите (a_{h,DS}): 3.0 м/с²
Коефициент на неопределеност (K): 1.5 м/с²

Модел GA7030R

Работен режим: шлайфане на повърхности
Ниво на вибрациите ($a_{h,AG}$): 6.5 m/c^2
Коефициент на неопределеност (K): 1.5 m/c^2

Работен режим: шкурене с диск
Ниво на вибрациите ($a_{h,DS}$): 3.5 m/c^2
Коефициент на неопределеност (K): 1.5 m/c^2

Модел GA7040R

Работен режим: шлайфане на повърхности
Ниво на вибрациите ($a_{h,AG}$): 7.0 m/c^2
Коефициент на неопределеност (K): 1.5 m/c^2

Работен режим: шкурене с диск
Ниво на вибрациите ($a_{h,DS}$): 3.0 m/c^2
Коефициент на неопределеност (K): 1.5 m/c^2

Модел GA9020R, GA9040R

Работен режим: шлайфане на повърхности
Ниво на вибрациите ($a_{h,AG}$): 6.0 m/c^2
Коефициент на неопределеност (K): 1.5 m/c^2

Работен режим: шкурене с диск
Ниво на вибрациите ($a_{h,DS}$): 2.5 m/c^2 или по-малко
Коефициент на неопределеност (K): 1.5 m/c^2

Модел GA9030R

Работен режим: шлайфане на повърхности
Ниво на вибрациите ($a_{h,AG}$): 5.5 m/c^2
Коефициент на неопределеност (K): 1.5 m/c^2

Работен режим: шкурене с диск
Ниво на вибрациите ($a_{h,DS}$): 2.5 m/c^2 или по-малко
Коефициент на неопределеност (K): 1.5 m/c^2
ENG902-1

- Обявеното ниво на вибрациите е измерено в съответствие със стандартни методи за изпитване и може да се използва за сравняване на инструменти.
- Освен това, обявеното ниво на вибрациите може да се използва за предварителна оценка на излагането.
- Обявеното ниво на вибрациите се използва за основните приложения на електрическия инструмент. Ако обаче инструментът се използва за други приложения, нивото на вибрациите може да е различно.

⚠ ПРЕДУПРЕЖДЕНИЕ:

- Нивото на вибрациите при работа с електрическия инструмент може да се различава от обявената стойност в зависимост от начина на използване на инструмента.

- Задължително определете предпазни мерки за защита на оператора въз основа на оценка на риска в реални работни условия (като се вземат предвид всички съставни части на работния цикъл, като например момента на изключване на инструмента, работата на празен ход, както и времето на задействане).

ENH101-17

Само за страните от ЕС.

ЕО Декларация за съответствие

Makita декларира, че следната/ите машина/и:

Наименование на машината:

Ъглошлайф

Модел №/ Тип: GA7020R, GA7030R, GA7040R, GA9020R, GA9030R, GA9040R

Съответстват на изискванията на следните европейски директиви:

2006/42/ЕО

Произведение са в съответствие със следния Стандарт или стандартизирани документи:

EN60745

Съгласно 2006/42/ЕС, файлът с техническа информация е достъпен от:

Makita, Jan-Baptist Vinkstraat 2, 3070, Белгия

31.12.2013



000331

Ясуаки Фукайа
Директор

Makita, Jan-Baptist Vinkstraat 2, 3070, Белгия

GEA010-1

Общи предупреждения за безопасност при работа с електрически инструменти

⚠ ПРЕДУПРЕЖДЕНИЕ Прочетете всички предупреждения за безопасност и всички инструкции. При неспазване на предупрежденията и инструкциите има опасност от токов удар, пожар и/или тежко нараняване.

Запазете всички предупреждения и инструкции за справка в бъдеще.

ПРЕДУПРЕЖДЕНИЯ ЗА БЕЗОПАСНОСТ ПРИ РАБОТА С ШЛИФОВЪЧНА МАШИНА

Общи предупреждения за безопасност при шлифване, изстъргване, почистване с телена четка и рязане с абразивен диск:

1. Този електрически инструмент е предназначен да работи като инструмент за шлифване, изстъргване, почистване с телена четка или за рязане с абразивен диск. Прочетете всички предупреждения, инструкции, илюстрации и спецификации за безопасността, предоставени с този електрически инструмент. При неспазване на изброените по-долу инструкции има опасност от токов удар, пожар и/или тежко нараняване.
2. Не се препоръчва този електрически инструмент да се използва за операции като полиране. Операции, за които инструментът не е предназначен, могат да бъдат опасни и да доведат до телесни повреди.
3. Не използвайте аксесоари, които не са специално предназначени и препоръчани от производителя на инструмента. Това, че даден аксесоар може да бъде закрепен към инструмента, не осигурява безопасната му работа.
4. Номиналната скорост на аксесоарите трябва да е най-малко равна на максималната скорост, означена на инструмента. Аксесоари, които се въртят със скорост, по-висока от номиналната, могат да се счупят и да се разлетят на парчета.
5. Външният диаметър и дебелината на вашите аксесоари трябва да отговарят на номиналния капацитет на вашия електрически инструмент. Неправилно оразмерените аксесоари не могат да бъдат добре защитени или контролирани.
6. Резбованите монтажни отвори на принадлежностите трябва да отговарят на резбата на шпиндела на шлайфмашината. За монтираните с фланци принадлежности, монтажните отвори на принадлежностите трябва да отговарят на локализиращия диаметър на фланеца. Тези принадлежности, които не отговарят на монтажните крепежи на електрическия инструмент ще работят дебалансирано и могат да причинят загуба на контрол.
7. Не използвайте повредени аксесоари. Преди всяко използване проверявайте аксесоарите, например абразивните дискове за счупвания и пукнатини, опорните подложки за пукнатини, скъсване или прекомерно износване, а телените четки – за хлабави или нарушени телове. В случай на изпускане на инструмента или аксесоара, проверете за повреда или сложете аксесоар, който не е повреден. След като огледате и сложите аксесоара, застанете заедно с хората около вас встрани от равнината на въртящия се аксесоар и включете инструмента на максимални обороти без натоварване в продължение на една минута. Ако аксесоарът е повреден, той ще се счупи за времето на това изпитване.
8. Използвайте лични предпазни средства. В зависимост от вида на работата, използвайте маска за лице или предпазни очила. При необходимост, използвайте маска за прах, антифони, ръкавици и работна престилка, които да могат да ви предпазят от малки абразивни частици или парченца от обработвания детайл. Предпазните средства за очите трябва да могат да спрат летящи отпадъци, създадени при различни операции. Маската за прах или дихателният апарат трябва да могат да филтрират твърдите частици, образувани по време на работа. Продължителното излагане на силен шум може да причини загуба на слуха.
9. Страничните лица трябва да стоят на безопасно разстояние от работната зона. Всеки, който влиза в работната зона, трябва да използва лични предпазни средства. Парчетата от обработвания детайл или от счупен аксесоар могат да изхвърчат и да причинят наранявания извън непосредствената зона на работа.
10. Дръжте електрическия инструмент само за изолираните и нехлъзгави повърхности, когато има опасност режещият диск да допре в скрити кабели или в собствения си захранващ кабел. Ако режещият диск допре до проводник под напрежение, токът може да премине през металните части на инструмента и да доведе до токов удар на работещия.
11. Дръжте захранващия кабел далеч от въртящия се аксесоар. Ако изгубите контрол, кабелът може да бъде прерязан или скъсан, а ръката ви може да бъде повлечена от въртящия се диск.
12. Не оставяйте инструмента на земята, докато аксесоарът не спре напълно да се върти. Въртящият се диск може да захване повърхността и да издърпа инструмента от ръцете ви.

13. **Не работете с инструмента като го държите от страни до тялото си.** При случаен допир с въртящия се диск дрехите ви може да се разкъсат и да придърпат диска към вашето тяло.
14. **Редовно почиствайте вентилационните отвори на инструмента.** Вентилаторът на двигателя засмуква прах в корпуса на инструмента, а натрупването на метален прах може да доведе до опасност от електрическа повреда.
15. **Не използвайте електрическия инструмент в близост до леснозапалими материали.** Искрите могат да запалят тези материали.
16. **Не използвайте аксесоари, за които се изисква водно охлаждане.** Използването на вода или други охлаждащи течности може да доведе до токов удар и дори до смърт.

Обратен удар (откат) и съответни предупреждения

Обратният удар е внезапна реакция на прищипан или нащърбен въртящ се диск, опорна подложка, четка или друг аксесоар. Прищипването или нащърбането причинява бързо спиране на въртящия се диск, който от своя страна завърта неконтролируемо инструмента в посока, обратна на въртенето на диска, в точката на захващане.

Например, ако дискът е нащърбен или прищипан от обработвания детайл, ръбът, който влиза в точката на прищипване, може да навлезе в повърхността на материала, от което дискът да отскочи с обратен удар. Дискът може да отскочи към работещия или встрани от него, в зависимост от посоката на движение на диска в точката на прищипване. В такава ситуация абразивният диск може и да се счупи.

Обратният удар е следствие от неправилната употреба и/или неспазване на реда и условията за работа и може да бъде избегнат при спазване на посочените по-долу предпазни мерки.

а) **Дръжте здраво инструмента и разположете тялото и ръката си така, че да можете да устоите на силите на обратния удар. Ако има допълнителна ръкохватка, задължително я използвайте, за да овладеете максимално обратния удар или завъртането при пуск.** Операторът може да овладее завъртането или силите на обратен удар, ако вземе подходящите предпазни мерки.

б) **Не поставяйте ръката си близо до въртящия се диск.** Той може да удари обратна ръката ви.

в) **Не поставяйте тялото си в зоната, към която инструментът ще отскочи в случай на обратен удар.** Обратният удар изстрелва инструмента в посока, обратна на тази на въртенето на диска в точката на нащърбване.

г) **Работете с повишено внимание при обработване на ъгли, остри ръбове и др. подобни. Не позволявайте на диска да подскача или да се нащърба.** Ъглите, острите ръбове и подскачането са предпоставки за нащърбване на диска и загуба на контрол или обратен удар.

д) **Не закрепвайте нож за дърворезба за верижен трион или диск за циркуляр със зъби.** Такива дискове често водят до откат и загуба на контрол.

Специфични предупреждения за безопасност при шлифване и рязане с абразивен диск:

а) **Използвайте само дискове, препоръчани за вашия електрически инструмент и специалните предпазители за избрания вид диск.** Дискове, за които инструментът не е предназначен, не могат да бъдат добре защитени и не са безопасни.

б) **Шлайфащите повърхности на дисковете с вдлъбнати центрове трябва да се монтират под равнината на ръба на предпазителя.** Неправилно монтирания диск, който се показва през равнината на ръба на предпазителя, не може да бъде добре защитен.

в) **Предпазителят трябва да е здраво закрепен за инструмента и разположен така, че да осигурява максимална безопасност, тъй че колкото може по-малка част от диска да е открита към оператора.** Предпазителът пази оператора от парчета при счупване на диска, от случаен допир до диска и от искри, които биха могли да подпалят дрехите.

г) **Дисковете трябва да се използват само за препоръчаните приложения.** Например, не трябва да се шлифова с плоската страна на абразивен диск за рязане. Абразивните дискове за рязане са предназначени за периферно шлифване и прилагането на странично действащи сили може да доведе до счупването им на парчета.

д) **Използвайте само закрепващи фланци без повреди и с точните размери и форма за избрания диск.** Правилните закрепващи фланци осигуряват опора на диска и така намаляват опасността от счупването му. Фланците за дисковете за рязане може да се различават от тези за дискове за шлифване.

е) **Не използвайте износени дискове от големи електрически инструменти.** Дисковете, предназначени за по-големи инструменти, не са подходящи за високите обороти на малкия инструмент и могат да се пръснат на парчета.

Допълнителни предупреждения за безопасност при рязане с абразивен диск:

а) Не „заклинвайте“ диска за рязане и не опитвайте прекален натиск. Не се опитвайте да постигнете прекалено голяма дълбочина на отрязване. Прекомерният натиск върху диска увеличава натоварването и вероятността за усукване или задиране на диска в прореза, както и тази за обратен удар или счупване на диска.

б) Не поставяйте тялото си на една линия с въртящия се диск и зад него. Когато дискът, в точката на обработване, се отдалечава от тялото, евентуалният обратен удар може да изстреля въртящия се диск и инструмента право към вас.

в) Ако дискът задере или прекъснете рязането по друга причина, изключете инструмента и го задръжте неподвижен, докато дискът спре да се върти окончателно. Не се опитвайте да извадите диска за рязане от прореза, докато все още се върти, защото това може да доведе до обратен удар. Огледайте мястото и вземете необходимите мерки, за да отстраните причината за задирането на диска.

г) Не подновявайте рязането, докато дискът е в допир с обработвания детайл. Изчакайте дискът да достигне пълни обороти и тогава внимателно го вкарайте в прореза. Дискът може да задере, да излезе или да удари обратно, ако инструментът бъде включен, докато е в допир с обработвания детайл.

д) Подпирайте панели и други обемисти детайли за обработване, за да сведете до минимум опасността от прищипване или обратен удар от диска. Големите обработвани детайли често се огват под собствената си тежест. Подпорите се слагат под обработвания детайл, близо до линията на рязане и близо до ръба на детайла, от двете страни на диска.

е) Бъдете особено предпазливи, когато режете в стена или друга повърхност, през която не се вижда. Стърчащият диск може да среже газови или водопроводни тръби, електрически кабел или предмет, който да причини обратен удар.

Специфични предупреждения за безопасност при шкурене:

а) Не използвайте прекалено големи дискове за шкурене. Следвайте съветите на производителя при избора на шкурка. Големите дискове за шкурене, които излизат извън подложката, представляват опасност от разкъсване и могат да причинят задиране, скъсване на диска или обратен удар.

Специфични предупреждения за безопасност при почистване с телена четка:

а) Имайте предвид, че телове падат от четката дори при нормална работа. Не натискайте прекалено силно теловете, като упражнявате голямо натоварване върху четката. Теловете лесно могат да проникнат през тънки дрехи и/или през кожата.

б) Ако при почистване с телена четка се препоръчва използването на предпазител, не позволявайте теленият диск или четката да докосват предпазителя. Диаметърът на теленият диск или четка може да се увеличи поради работното натоварване или центробежните сили.

Допълнителни предупреждения за безопасност:

17. Ако използвате дискове за шлифование с хлъзгал център, използвайте само дискове, подсилени със стъклопласт.
18. НЕ използвайте чашковидни каменни дискове с този инструмент за шлайфане. Инструментът за шлайфане не е предназначен за такъв тип дискове и използването им може да доведе до тежка телесна повреда.
19. Внимавайте да не повредите вала, фланеца (особено монтажната повърхност) или закрепващата гайка. Повреждането на тези части може да доведе до счупване на диска.
20. Уверете се, че дискът не докосва детайла за обработване преди да включите инструмента.
21. Преди да пристъпите към обработка на детайл оставете инструмента да поработи известно време. Следете за вибрации или трептения, които може да сочат, че дискът не е добре поставен или е неправилно балансиран.
22. Използвайте указаната повърхност на диска, за да шлайфате.
23. Не оставяйте инструмента да работи без надзор. Инструментът трябва да работи, само когато го държите в ръце.
24. Не докосвайте детайла непосредствено след обработка, защото може да е много горещ и да изгори кожата ви.
25. Спазвайте инструкциите на производителя за правилен монтаж и използване на дисковете. Работете с дисковете и ги съхранявайте внимателно.
26. Не използвайте отделни редуциращи втулки или адаптери за пригаждане на абразивни дискове с големи отвори.
27. Използвайте само фланци, предназначени за този инструмент.
28. При инструменти, предназначени за работа с дискове с отвор с резба, проверете дали

резбата на диска е достатъчна, за да влезе целия вал.

29. Проверете дали детайлът за обработване е закрепен стабилно.
30. Внимавайте, защото дискът продължава да се върти след изключването на инструмента.
31. В случай че работното място е много горещо и влажно, или силно замърсено с прах, който е проводник на ток, използвайте захранване с дефектнотокова защита (30 mA), за да осигурите безопасността на оператора.
32. Не използвайте инструмента върху материали, съдържащи азбест.
33. Когато използвате дискове за рязане, винаги работете с монтиран прахосъбирателен предпазител съгласно местната нормативна уредба.
34. Дисковете за рязане не трябва да се подлагат на страничен натиск.

ЗАПАЗЕТЕ НАСТОЯЩИТЕ ИНСТРУКЦИИ.

⚠ ПРЕДУПРЕЖДЕНИЕ:

НЕ позволявайте успокоението от познаването на продукта (придобито при дългата му употреба) да замени стриктното спазване на правилата за безопасност за въпросния продукт. НЕПРАВИЛНАТА УПОТРЕБА и неспазването на правилата за безопасност, посочени в настоящото ръководство за експлоатация, могат да доведат до тежки телесни повреди.

ФУНКЦИОНАЛНО ОПИСАНИЕ

⚠ ВНИМАНИЕ:

- Преди да регулирате или проверявате работата на инструмента задължително проверете дали той е изключен от бутона и от контакта.

Блокировка на вала

⚠ ВНИМАНИЕ:

- Не задействайте блокировката на вала, когато вретеното се върти. Инструментът може да се повреди.

Фиг.1

Натиснете блокировката на вала, за да не позволите на вретеното да се върти, когато поставяте или сваляте аксесоари.

Промяна на положението на монтиране на ръкохватката за включване

(За модели GA7030R, GA7040R, GA9030R и GA9040R)

Фиг.2

Ръкохватката за включване може да се завърти на 90° вляво или вдясно според вашите работни потребности. Първо, изключете инструмента. Натиснете бутона за блокиране и завъртете ръкохватката за включване докрай вляво или вдясно. Ръкохватката за включване остава блокирана в това положение.

⚠ ВНИМАНИЕ:

- Преди да започнете работа задължително проверете дали ръкохватката за включване е блокирана в желаното положение.

Включване

⚠ ВНИМАНИЕ:

- Преди да включите инструмента в контакта, винаги проверявайте дали пусковият прекъсвач работи нормално и се връща в положение „OFF“ (Изкл.) при отпускането му.

Фиг.3

За инструмент с прекъсвач за блокиране

За да включите инструмента, просто натиснете пусковия прекъсвач (в посока към В). За спиране отпуснете спусъка на прекъсвача. За непрекъсната работа натиснете пусковия прекъсвач (в посока към В) и после натиснете блокиращия лост (в посока към А). За да изключите инструмента от блокирано положение, натиснете пусковия прекъсвач докрай (в посока към В) и после го освободете.

За инструмент с прекъсвачи за блокиране и деблокиране

Фиг.4

За предотвратяване на неволно натискане на пусковия прекъсвач е предвиден блокиращ лост.

За да включите инструмента, натиснете блокиращия лост (в посока към А) и после натиснете пусковия прекъсвач (в посока към В). За спиране освободете пусковия прекъсвач.

За непрекъсната работа натиснете блокиращия лост (в посока към А), натиснете пусковия прекъсвач (в посока към В) и след това избутайте блокиращия лост (в посока към С).

За да изключите инструмента от блокирано положение, натиснете пусковия прекъсвач докрай (в посока към В) и после го освободете.

Светлинен индикатор

Фиг.5

Светлинният индикатор светва зелено, когато инструментът се включи в контакта. Ако светлинният индикатор не светне, е възможно да има повреда в захранващия кабел или в контролера. Светлинният индикатор свети, но инструментът не работи, макар че е пуснат; може да са износени четките на двигателя, или контролерът, двигателят или прекъсвачът ВКЛ/ИЗКЛ да са повредени.

Защита против неволен повторен пуск

Макар че блокиращият лост задържа пусковия прекъсвач натиснат (Блокирано положение), защитата не позволява на инструмента да заработи при включване в контакта.

В този момент светлинният индикатор мига в червено, което показва, че е задействана защитата против неволен повторен пуск.

За да изключите защитата против неволен повторен пуск, натиснете пусковия прекъсвач докрай и после го освободете.

Функция плавен пуск

Тези модели работят на бавни обороти при включване. Функцията плавен пуск осигурява по-гладка работа.

СГЛОБЯВАНЕ

⚠️ВНИМАНИЕ:

- Преди да извършвате някакви работи по инструмента задължително проверете дали той е изключен от бутона и от контакта.

Монтиране на страничната ръкохватка

⚠️ВНИМАНИЕ:

- Преди да започнете работа проверете дали страничната ръкохватка е закрепена здраво.

Фиг.6

Завийте здраво страничната ръкохватка на показаното на фигурата място от инструмента.

Поставяне и сваляне на предпазителя на диска (за дискове с вдлъбнат център, мултидиск, телена четка / абразивен диск за рязане, диамантен диск)

⚠️ПРЕДУПРЕЖДЕНИЕ:

- Когато използвате диск с вдлъбнат център/мултидиск, гъвкав диск или телена четка, предпазителят трябва да се монтира на инструмента със закритата страна откъм оператора.
- Когато използвате абразивен диск за рязане/диамантен диск, използвайте само предпазители, предназначени за ползване с дискове за рязане. (В държавите-членки на ЕС, при използване на диамантен диск може да се ползва обикновеният предпазител.)

За инструмент с предпазител на диска, тип блокиращ винт

Фиг.7

Монтирайте предпазителя за диска с изпъкналата страна на предпазителя подравнена спрямо белега на лагерната кутия. След това завъртете предпазителя под такъв ъгъл, че да предпазва оператора според вида на работата. Затегнете болта здраво.

За да свалите предпазителя, изпълнете процедурата за монтаж в обратен ред.

За инструмент с предпазител на диска, тип лост за затягане

Фиг.8

Фиг.9

Разхлабете лоста на предпазителя. Монтирайте предпазителя за диска с изпъкналата страна на предпазителя подравнена спрямо белега на лагерната кутия. След това завъртете предпазителя до положението, показано на илюстрацията. Завийте лоста, за да затегнете предпазителя. Ако лостът е прекалено стегнат или прекалено хлабав, за да държи предпазителя, разхлабете или затегнете гайката, за да регулирате затягането на изпъкналата страна на предпазителя.

За да свалите предпазителя, изпълнете процедурата за монтаж в обратен ред.

Поставяне и сваляне на диск за шлифване с вдлъбнат център/Мултидиск (аксесоар)

⚠️ПРЕДУПРЕЖДЕНИЕ:

- Когато на инструмента е монтиран диск за шлифване с вдлъбнат център или мултидиск, задължително ползвайте предоставения предпазител. По време на работа дискът може да се разбие на парчета, а предпазителят намалява вероятността за телесни повреди.

Фиг.10

Сложете вътрешния фланец на вретеното. Сложете диска над вътрешния фланец и завийте закрепващата гайка на вретеното.

Супер фланец

Моделите, означени с буквата F, са серийно оборудвани със супер фланец. Едва 1/3 от усилието, необходимо за освобождаване на закрепващата гайка спрямо конвенционалния тип.

За Австралия и Нова Зеландия

Фиг.11

Сложете вътрешния фланец на вретеното. Поставете диска върху вътрешния фланец и затегнете закрепващата гайка с изпъкналата страна надолу (към диска).

Фиг.12

За да затегнете закрепващата гайка, натиснете блокировката на вала здраво, тъй че вретеното да не може да се върти и после затегнете по посока на часовниковата стрелка с помощта на ключ за закрепваща гайка.

За да свалите диска, изпълнете процедурата за монтаж в обратен ред.

Поставяне и сваляне на абразивен диск (допълнителен аксесоар)

ЗАБЕЛЕЖКА:

- Използвайте указаните в настоящото ръководство аксесоари за шлифование. Те се закупуват отделно.

Фиг.13

Сложете гумената подложка на вретеното. Сложете диска над гумената подложка и завийте закрепващата гайка на вретеното. За да затегнете закрепващата гайка, натиснете блокировката на вала здраво, тъй че вретеното да не може да се върти и после затегнете по посока на часовниковата стрелка с помощта на ключ за закрепваща гайка.

За да свалите диска, изпълнете процедурата за монтаж в обратен ред.

РАБОТА

⚠ ПРЕДУПРЕЖДЕНИЕ:

- Никога не трябва да се налага да насилвате инструмента. Самото тегло на инструмента прилага достатъчен натиск. Насилването и прекомерният натиск могат да доведат до опасно счупване на диска.
- **ЗАДЪЛЖИТЕЛНО** сменете диска, ако изпуснете инструмента по време на шлайфане.
- НИКОГА не удряйте с диска за шлайфане по обработвания детайл.
- Не позволявайте на диска да подскача или да се нащърбва, особено когато обработвате ъгли,

остри ръбове и др. Това може да доведе до загуба на контрол и обратен удар.

- НИКОГА не използвайте инструмента с дискове за рязане на дърво и други дискове за циркуляр. Когато се използват с ъглошлайф, тези дискове често отскачат и водят до загуба на контрол и телесни повреди.

⚠ ВНИМАНИЕ:

- Не пускайте инструмента, когато е допрян до детайла, защото има опасност от нараняване на оператора.
- По време на работа задължително носете предпазни очила или маска за лицето.
- След приключване на работа изключете инструмента и изчакайте диска да спре окончателно, преди да го оставите на земята.

Шлайфане и шмиргелене

Фиг.14

ВИНАГИ дръжте инструмента здраво с едната ръка за задната ръкохватка, а с другата - за страничната ръкохватка. Включете инструмента и след това допрете диска до детайла за обработване.

По принцип, дръжте ръба на диска под ъгъл около 15 градуса спрямо повърхността на детайла за обработване.

По време на разработване на нов диск, не работете с ъглошлайфа в посока В, за да не среже детайла за обработване. Когато ръбът на диска е окръглен от използване, с диска може да се работи както в посока А, така и в посока В.

Работа с чашковидна телена четка (допълнителен аксесоар)

⚠ ВНИМАНИЕ:

- Проверете дали четката работи като включите инструмента без товар, след като сте се уверили, че няма никого пред или до четката.
- Не използвайте четка, която е повредена или едностранно износена. При използване на повредена четка се увеличава опасността от нараняване от откъснати телчета.

Фиг.15

Изключете инструмента от контакта и го оставете обърнат на земята, за да достигате лесно вретеното. Махнете аксесоарите от вретеното. Поставете чашковидната телена четка на вретеното и я затегнете с предоставения ключ. Когато работите с четка, не натискайте прекалено силно, за да не се огъват телчетата, което би довело до преждевременно откъсване.

Работа с кръгла телена четка (допълнителен аксесоар)

⚠ВНИМАНИЕ:

- Проверете дали кръглата телена четка работи като включите инструмента без товар, след като сте се уверили, че няма никого пред или до четката.
- Не използвайте кръгла телена четка, която е повредена или едностранно износена. При използване на повредена кръгла телена четка се увеличава опасността от нараняване от откъснати телчета.
- ВИНАГИ използвайте предпазител при работа с кръгла телена четка, като диаметърът на диска на четката трябва да се покрива от предпазителя. По време на работа дискът може да се разбие на парчета, а предпазителят намалява вероятността за телесни повреди.

Фиг.16

Изключете инструмента от контакта и го оставете обрнат на земята, за да достигате лесно вретеното. Махнете аксесоарите от вретеното. Завийте кръглата телена четка на вретеното и затегнете с ключовете. Когато работите с четка, не натискайте прекалено силно, за да не се огъват телчетата, което би довело до преждевременно откъсване.

Работа с абразивен диск за рязане/диамантен диск (допълнителен аксесоар)

⚠ПРЕДУПРЕЖДЕНИЕ:

- Когато използвате абразивен диск за рязане/диамантен диск, използвайте само предпазители, предназначени за ползване с дискове за рязане. (В държавите-членки на ЕС, при използване на диамантен диск може да се ползва обикновеният предпазител.)
- НИКОГА не използвайте диск за рязане за странично шлайфане.
- Не „заклинвайте“ диска и не упражнявайте прекален натиск. Не се опитвайте да режете прекалено дълбоко. Прекомерният натиск върху диска увеличава натоваването и вероятността да се усуче или да задере в разреза, както и вероятността от обратен удар, счупване на диска и прегряване на двигателя.
- Не започвайте да режете с диск, опрян на детайла за обработване. Изчакайте диска да достигне пълни обороти и внимателно го вкарайте в среза като движите инструмента напред по повърхността на детайла за обработване. Дискът може да задере, да излезе или да удари обратно, ако инструментът бъде включен, докато е в допир с обработвания детайл.

- Не променяйте ъгъла на диска по време на рязане. Упражняването на страничен натиск върху диска за рязане (като при шлайфане) ще доведе до спукване и счупване на диска и тежки телесни повреди.
- Диамантените дискове трябва да се държат перпендикулярно на рязания материал.

Сложете вътрешния фланец на вретеното. Сложете диска над вътрешния фланец и завийте закрепващата гайка на вретеното.

Фиг.17

За Австралия и Нова Зеландия

Поставяне и сваляне на абразивен диск за рязане/диамантен диск (допълнителен аксесоар)

Фиг.18

ПОДДРЪЖКА

⚠ВНИМАНИЕ:

- Преди да проверявате или извършвате поддръжка на инструмента се уверете, че той е изключен от бутона и от контакта.
- Не използвайте бензин, нафта, разреждател, спирт и др. под. Това може да причини обезцветяване, деформация или пукнатини.

Фиг.19

Инструментът и неговите вентилационни отвори трябва да се поддържат чисти. Почиствайте вентилационните отвори на инструмента редовно или когато започнат да се запушват.

Смяна на четките

Фиг.20

Когато изолиращият край със смола в четките на двигателя се оголи и докосне комутатора, двигателят автоматично се изключва. Когато това се случи, трябва да се сменят четките. Поддържайте четките чисти и да се движат свободно в държачите. Двете четки трябва да се сменят едновременно. Използвайте само идентични четки.

Фиг.21

С помощта на отвертка развийте капачките на четкодържачите. Извадете износените четки, сложете новите и завийте капачките на четкодържачите.

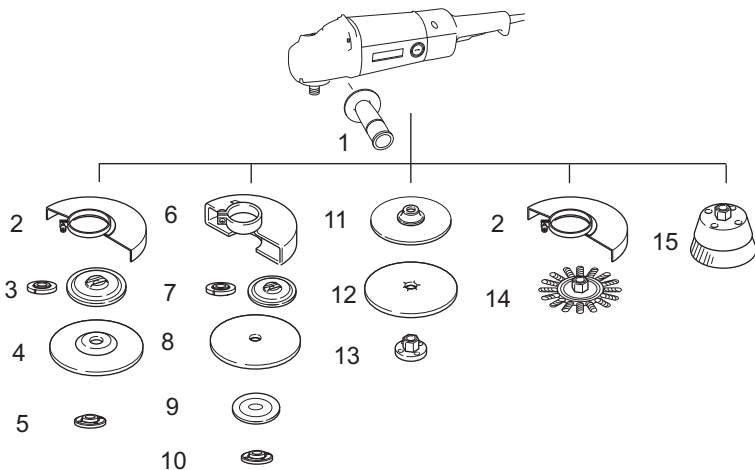
За да се поддържа БЕЗОПАСНОСТТА и НАДЕЖДНОСТТА на инструмента, ремонтите, обслужването или регулирането трябва да се извършват от упълномощен сервиз на Makita, като се използват резервни части от Makita.

ДОПЪЛНИТЕЛНИ АКСЕСОАРИ

ВНИМАНИЕ:

- Препоръчва се използването на тези аксесоари или накрайници с вашия инструмент Makita, описан в настоящото ръководство. Използването на други аксесоари или накрайници може да доведе до опасност от телесни повреди. Използвайте съответния аксесоар или накрайник само по предназначение.

Ако имате нужда от помощ за повече подробности относно тези аксесоари, се обърнете към местния сервизен център на Makita.



1	Странична ръкохватка
2	Предпазител за шлифовъчен диск с вдлъбнат център / Мулти диск / Кръгла телена четка
3	Вътрешен фланец / Супер фланец / Вътрешен фланец 102 (само за Австралия и Нова Зеландия)
4	Диск за шлифование с вдлъбнат център/Мултидиск
5	Контрагайка / Ezynut*1
6	Предпазител за абразивен диск за рязане/диамантен диск*2
7	Вътрешен фланец / Супер фланец / Вътрешен фланец 78 (само за Австралия и Нова Зеландия)
8	Абразивен диск за рязане/диамантен диск
9	Външен фланец 78 (само за Австралия и Нова Зеландия)*3
10	Контрагайка / Ezynut*1
11	Гумена подложка
12	Абразивен диск
13	Гайка с периферия за абразивни дискове
14	Кръгла телена четка
15	Телена четка
—	Ключ за закрепваща гайка
—	Предпазител за прах

*1 Не използвайте едновременно Супер фланеца и гайката Ezynut.

*2 Когато в Европейските страни се използва диамантен диск, вместо специалния предпазител покриващ и двете страни на диска може да се използва обикновения предпазител.

*3 Използвайте заедно Вътрешен фланец 78 и Външен фланец 78. (само за Австралия и Нова Зеландия)

011513

ЗАБЕЛЕЖКА:

в различните държави.

- Някои артикули от списъка може да са включени в комплекта на инструмента, като стандартни аксесоари. Те може да са различни

Objašnjenje općeg pogleda

1-1. Blokada vretena	9-2. Poluga	17-3. Unutarnja prirubnica
2-1. Kućište motora	10-1. Sigurnosna navrtka	17-4. Štitnik abrazivne rezne ploče / dijamantne ploče
2-2. Gumb za blokadu	10-2. Koljenasta ploča	18-1. Sigurnosna navrtka
2-3. Ručka	10-3. Super prirubnica	18-2. Vanjska prirubnica 78
3-1. Poluga za blokadu	10-4. Unutarnja prirubnica	18-3. Abrazivna rezna ploča/ dijamantna ploča
3-2. Uključno-isključna sklopka	11-1. Sigurnosna navrtka	18-4. Unutarnja prirubnica 78
4-1. Poluga za blokadu	11-2. Koljenasta ploča	18-5. Štitnik abrazivne rezne ploče / dijamantne ploče
4-2. Uključno-isključna sklopka	11-3. Unutarnja prirubnica	19-1. Ispušni otvor
5-1. Indikacijska svjetiljka	12-1. Ključ za sigurnosnu maticu	19-2. Usisni otvor
7-1. Štitnik ploče	12-2. Blokada vretena	20-1. Komutator
7-2. Vijak	13-1. Sigurnosna navrtka	20-2. Izolacijski vršak
7-3. Kućište ležaja	13-2. Abrazivni disk	20-3. Grafita četkica
8-1. Štitnik ploče	13-3. Gumena podloga	21-1. Poklopac držača četkica
8-2. Kućište ležaja	15-1. Žičana četka u obliku stošca	21-2. Odvijač
8-3. Matica	16-1. Žičana četka u obliku kotača	
8-4. Poluga	17-1. Sigurnosna navrtka	
9-1. Matica	17-2. Abrazivna rezna ploča/ dijamantna ploča	

SPECIFIKACIJE

Model	GA7020R	GA7030R	GA7040R	GA9020R	GA9030R	GA9040R
Promjer koljenaste brusne ploče	180 mm			230 mm		
Najveća debljina ploče	6,5 mm	6,5 mm	6,5 mm	6,5 mm	6,5 mm	6,5 mm
Navoj vretena	M14					
Nazivna brzina (n) / Brzina bez opterećenja (n ₀)	8.500(min ⁻¹)			6.600(min ⁻¹)		
Ukupna dužina	473 mm	503 mm		473 mm	503 mm	
Neto masa	5,6 kg	6,3 kg	6,6 kg	5,8 kg	6,5 kg	6,9 kg
Razred sigurnosti	II/II					

- Zahvaljujući stalnom programu istraživanja i razvoja, ovdje navedeni tehnički podaci su podložni promjeni bez prethodne najave.
- Tehnički podaci se mogu razlikovati ovisno o zemlji.
- Masa prema EPTA postupak 01/2003

ENE048-1

ENG900-1

Namjena

Alat je namijenjen za brušenje, fino brušenje i rezanje metalnih i kamenih materijala bez korištenja vode.

ENF002-2

Električno napajanje

Alat se smije priključiti samo na električno napajanje s naponom istim kao na nazivnoj pločici i smije raditi samo s jednofaznim izmjeničnim napajanjem. Oni su dvostruko izolirani i stoga se također mogu rabiti iz utičnica bez provodnika za uzemljenje.

ENG905-1

Buka

Tipična jačina buke označena s A, određena sukladno EN60745:

Razina zvučnog tlaka (L_{pA}): 90 dB (A)
 Razina zvučnog tlaka (L_{WA}): 101 dB (A)
 Neodređenost (K): 3 dB (A)

Nosite zaštitu za uši

Vibracija

Ukupna vrijednost vibracija (troosni vektorski zbir) izračunata u skladu s EN60745:

Model GA7020R

Režim rada : površinsko brušenje
 Emisija vibracija (a_{h,AG}): 8,0 m/s²
 Neodređenost (K): 1,5 m/s²

Režim rada : fino brušenje diskom
 Emisija vibracija (a_{h,DS}): 3,0 m/s²
 Neodređenost (K): 1,5 m/s²

Model GA7030R

Režim rada : površinsko brušenje
 Emisija vibracija (a_{h,AG}): 6,5 m/s²
 Neodređenost (K): 1,5 m/s²

Režim rada : fino brušenje diskom
Emisija vibracija ($a_{h,DS}$) : $3,5 \text{ m/s}^2$
Neodređenost (K): $1,5 \text{ m/s}^2$

Model GA7040R

Režim rada : površinsko brušenje
Emisija vibracija ($a_{h,AG}$) : $7,0 \text{ m/s}^2$
Neodređenost (K): $1,5 \text{ m/s}^2$

Režim rada : fino brušenje diskom
Emisija vibracija ($a_{h,DS}$) : $3,0 \text{ m/s}^2$
Neodređenost (K): $1,5 \text{ m/s}^2$

Model GA9020R, GA9040R

Režim rada : površinsko brušenje
Emisija vibracija ($a_{h,AG}$) : $6,0 \text{ m/s}^2$
Neodređenost (K): $1,5 \text{ m/s}^2$

Režim rada : fino brušenje diskom
Emisija vibracija ($a_{h,DS}$) : $2,5 \text{ m/s}^2$ ili manje
Neodređenost (K) : $1,5 \text{ m/s}^2$

Model GA9030R

Režim rada : površinsko brušenje
Emisija vibracija ($a_{h,AG}$) : $5,5 \text{ m/s}^2$
Neodređenost (K): $1,5 \text{ m/s}^2$

Režim rada : fino brušenje diskom
Emisija vibracija ($a_{h,DS}$) : $2,5 \text{ m/s}^2$ ili manje
Neodređenost (K) : $1,5 \text{ m/s}^2$

ENG902-1

- Deklarirana vrijednost emisije vibracija je izmjerena sukladno standardnoj metodi testiranja i može se rabiti za usporedbu jednog alata s drugim.
- Deklarirana vrijednost emisije vibracija također se može rabiti za preliminarnu procjenu izloženosti.
- Deklarirana vrijednost emisije vibracija se rabi kod glavnih primjena električnog ručnog alata. Međutim, ako se električni ručni alat koristi za druge primjene, vrijednost emisije vibracija se može razlikovati.

⚠ UPOZORENJE:

- Emisija vibracija tijekom stvarnog korištenja električnog ručnog alata se može razlikovati od deklarirane vrijednosti emisije, ovisno o načinu na koji se alat rabi.
- Nemojte zaboraviti da identifikirate sigurnosne mjere zaštite rukovatelja koje se temelje na procjeni izloženosti u stvarnim uvjetima korištenja (uzimajući u obzir sve dijelove radnog ciklusa, poput vremena kada je alat isključen i kada on radi u praznom hodu, a također i vrijeme okidanja).

Samo za europske zemlje

EZ Izjava o sukladnosti

Tvrtka Makita izjavljuje da su sljedeći strojevi:

Naziv stroja:

Kutna brusilica

Broj modela/Vrsta: GA7020R, GA7030R, GA7040R, GA9020R, GA9030R, GA9040R

Usklađeni sa sljedećim europskim smjernicama:

2006/42/EZ

Proizvedeni su u skladu sa sljedećim standardima ili standardiziranim dokumentima:

EN60745

Tehnička datoteka u skladu s 2006/42/EZ dostupna je na sljedećoj adresi:

Makita, Jan-Baptist Vinkstraat 2, 3070, Belgija

31.12.2013



000331

Yasushi Fukaya

Direktor

Makita, Jan-Baptist Vinkstraat 2, 3070, Belgija

GEA010-1

Opća sigurnosna upozorenja za električne ručne alate

⚠ UPOZORENJE Pročitajte sva sigurnosna upozorenja i sve upute. Nepridržavanje upozorenja ili uputa može rezultirati električnim udarom, požarom i/ili ozbiljnom ozljedom.

Sačuvajte sva upozorenja i upute radi kasnijeg korištenja.

GEB033-7

SIGURNOSNA UPOZORENJA ZA BRUSILICU

Sigurnosna upozorenja zajednička za brušenje, fino brušenje, četkanje žičanom četkom ili operacije abrazivnog rezanja:

1. Ovaj električni ručni alat namijenjen je da funkcioniра kao brusilica, fina brusilica, žičana četka ili rezni alat. Pročitajte sva sigurnosna upozorenja, upute, ilustracije i specifikacije isporučene s ovim električnim ručnim alatom. Nepridržavanje svih uputa navedenih u nastavku može rezultirati električnim udarom, požarom i/ili ozbiljnom ozljedom.
2. Ne preporučuje se izvođenje postupaka poput poliranja s ovim električnim ručnim alatom. Postupci za koje električni ručni alat nije konstruiran mogu stvoriti opasnost i prouzročiti ozljedu.

3. **Nemojte rabiti dodatke koji nisu izričito konstruirani i preporučeni od strane proizvođača alata.** Samo zato što se dodatak može montirati na Vaš električni ručni alat ne znači da je obezbijeđen siguran rad.
 4. **Nominalna brzina dodatka mora biti najmanje jednaka maksimalnoj brzini označenoj na električnom ručnom alatu.** Dodaci koji rade brže od svoje nominalne brzine mogu se slomiti i dijelovi razletjeti naokolo.
 5. **Vanjski promjer i debljina Vašeg dodatka moraju odgovarati nominalnoj snazi Vašeg električnog ručnog alata.** Nepravilno dimenzionirani dodaci se ne mogu propisno zaštititi niti kontrolirati.
 6. **Montaža dodataka na osovinu mora odgovarati osovini brusilice. Ako montirate dodatke na prirubnice, otvor za trn na dodatku mora odgovarati vodećem promjeru prirubnice.** Dodaci koji ne odgovaraju priboru za montažu električnog ručnog alata bit će izbačeni iz ravnoteže, previše će vibrirati i mogu uzrokovati gubitak kontrole.
 7. **Ne rabite oštećene dodatke. Prije svake uporabe provjerite dodatke, primjerice da li na abrazivnim pločama ima krhotina i pukotina, da li na potpornoj podlozi ima pukotina, kidanja ili prekomjerne istrošenosti, da li žičana četka ima olabavljene ili prekinute žice. Ako se električni ručni alat ili dodatak ispusti, provjerite ima li oštećenja ili instalirajte neoštećeni dodatak. Nakon provjere i instaliranja dodatka, odmaknite se i udaljite promatrače od ravni rotirajuće ploče i pustite električni ručni alat da jednu minutu radi bez opterećenja pri maksimalnoj brzini. Oštećeni dodaci se obično slome tijekom trajanja ovog testa.**
 8. **Nosite osobnu zaštitnu opremu. Ovisno o primjeni koristite štitnik za lice, zaštitu za oči ili zaštitne naočale. Ako je potrebno, nosite masku za prašinu, zaštitu za uši, rukavice i radioničku pregaču koja može zaustaviti male abrazivne djeliće ili djeliće izratka. Zaštita za oči mora zaustaviti leteće krhotine nastale uslijed raznih operacija. Masku za prašinu ili respirator mora filtrirati čestice stvorene vašim radom. Proljuljena izloženost jakoj buci može prouzročiti gubitak sluha.**
 9. **Držite promatrače na sigurnoj udaljenosti od radnog područja. Svako tko uđe u radno područje mora nositi osobnu zaštitnu opremu. Djelići izratka ili polomljenog dodatka mogu odletjeti i prouzročiti ozljede izvan neposrednog područja u kojem se radi.**
 10. **Držite električni ručni alat samo za izolirane rukohvatne površine kada izvodite operaciju gdje rezni dodatak može doći u dodir sa skrivenim provodnicima ili s vlastitim kablom.** Rezni dodatak koji dođe u dodir s provodnikom pod naponom može dovesti pod napon izložene metalne dijelove električnog ručnog alata i rukovatelj može pretrpjeti električni udar.
 11. **Pozicionirajte kabel daleko od rotirajućeg dodatka.** Ako izgubite kontrolu, kabel se može prekinuti ili zakačiti, te Vaša šaka ili ruka može biti uvučena u rotirajući dodatak.
 12. **Nikada ne spuštajte električni ručni alat sve dok se dodatak potpuno ne zaustavi.** Rotirajući dodatak može zahvatiti površinu i električni ručni alat se može otetiti Vašoj kontroli.
 13. **Nemojte uključivati električni ručni alat dok ga nosite pored sebe.** Slučajni dodir s rotirajućim dodatkom može zahvatiti Vašu odjeću, povlačeći dodatak prema Vašem tijelu.
 14. **Redovito čistite ventilacijske otvore električnog ručnog alata.** Ventilator motora će uvući prašinu u kućište, te prekomjerno skupljanje metalne prašine može prouzročiti opasnost od električnog udara.
 15. **Ne radite s električnim ručnim alatom u blizini zapaljivih materijala.** Iskre mogu zapaliti ove materijale.
 16. **Ne rabite dodatke koji zahtijevaju rashladne tekućine.** Korištenje vode ili drugih rashladnih tekućina može rezultirati smrću ili šokom uslijed strujnog udara.
- Odbačaj unatrag i upozorenja u vezi s njim**
- Odbačaj unatrag je trenutna reakcija na priklještenu ili zaglavljenu rotirajuću ploču, potpurnu podlogu, četku ili bilo koji drugi dodatak. Prištineče ili zaglavljivanje uzrokuje brzo zaustavljanje rotirajućeg dodatka, što opet dovodi do prinudnog okretanja električnog ručnog alata u smjeru suprotnom od smjera okretanja dodatka u točki spajanja.
- Ako, primjerice, izradak zaglavi ili prištine abrazivnu ploču, rub ploče koji ulazi u točku prištineča može se ukopati u površinu materijala, što će prouzročiti iskakanje ili izbacivanje. Ploča može skočiti prema rukovatelju ili dalje od njega, ovisno o smjeru kretanja ploče u točki prištineča. Abrazivne ploče se također mogu slomiti pod ovim uvjetima.
- Odbačaj unatrag je rezultat zlorabe električnog ručnog alata i/ili nepravilnih radnih postupaka ili uvjeta i može se spriječiti poduzimanjem propisnih mjera predostrožnosti, kao što je navedeno u nastavku.
- a) **Čvrsto držite električni ručni alat i pozicionirajte svoje tijelo i ruku tako da možete izdržati sile odbačaja unatrag. Uvijek koristite pomoćnu ruku, ako je isporučena, radi maksimalne kontrole odbačaja unatrag ili reakcije uslijed torzionog momenta tijekom pokretanja.** Rukovatelj može kontrolirati reakcije uslijed torzionog momenta ili sile odbačaja unatrag ako se poduzmu propisne mjere predostrožnosti.

b) **Nikada ne stavljajte ruku blizu rotirajućeg dodatka.** Može doći do odbačaja dodatka unatrag preko Vaše ruke.

c) **Nemojte pozicionirati svoje tijelo u područje gdje će se električni ručni alat pomaknuti ako dođe do odbačaja unatrag.** Odbačaj unatrag će gurnuti alat u smjeru suprotnom kretanju ploče u točki zaglavlivanja.

d) **Budite posebno oprezni kada obrađujete kutove, oštre rubove, itd. Sprječite odskakanje i zaglavlivanje dodatka.** Kutovi, oštri rubovi ili odskakanje teže da zaglave rotirajući dodatak i prouzroče gubitak kontrole ili odbačaj unatrag.

e) **Nemojte montirati list za rezbarenje drveta za lančane pile ni nazubljeni list pile.** Takvi listovi dovode do čestih povratnih udara i gubitka kontrole.

Sigurnosna upozorenja specifična za brušenje i operacije abrazivnog rezanja:

a) **Rabite samo one vrste ploča koje su preporučene za Vaš električni ručni alat i specifični štitičnik konstruiran za odabranu ploču.** Ploče za koje električni ručni alat nije konstruiran ne mogu se zaštititi na odgovarajući način i nisu sigurne.

b) **Brusna površina koljenastih ploča mora se montirati ispod ravnine ruba štitičnika.** Neispravno montirana ploča koja strši kroz ravninu ruba štitičnika ne može se primjerenom zaštititi.

c) **Štitičnik se mora čvrsto montirati na električni ručni alat i pozicionirati tako da bude maksimalno siguran te tako da najmanji dio ploče bude izložen prema rukovatelju.** Štitičnik pomaže rukovatelju da se zaštititi od odlomljenih djelića ploče, slučajnog dodira s pločom i iskrama koje bi mogle zapaliti odjeću.

d) **Ploče se smiju koristiti samo za preporučene primjene. Na primjer: nemojte brusiti bočnom stranom rezne ploče.** Abrazivne rezne ploče namijenjene su perifernom brušenju, a bočne sile koje djeluju na ove ploče mogu dovesti do njihova razbijanja.

e) **Uvijek koristite neoštećene prirubnice ploča s ispravnim promjerom za svoju odabranu ploču.** Ispravne prirubnice ploča podupiru ploče smanjujući tako mogućnost lomljenja ploče. Prirubnice za rezne ploče mogu se razlikovati od prirubnica brusnih ploča.

f) **Ne koristite istrošene ploče s većih električnih ručnih alata.** Ploče namijenjene većim električnim ručnim alatima nisu prikladne za veću brzinu manjeg alata i mogu puknuti.

Dodatna sigurnosna upozorenja specifična za operacije abrazivnog rezanja:

a) **Nemojte "zaglavljivati" rezu ploču niti primjenjivati prekomjerni pritisak.** Nemojte pokušavati da pravite previše duboki rez. Prekomjerno naprezanje povećava opterećenje i osjetljivost na uvijanje ili zaglavlivanje ploče u rezu,

te mogućnost odbačaja unatrag ili lomljenja ploče.

b) **Nemojte pozicionirati svoje tijelo poravnato sa rotirajućom pločom ili iza nje.** Ako se ploča u trenutku rada udaljava od Vašeg tijela, mogući odbačaj unatrag može gurnuti rotirajuću ploču naprijed i gurnuti električni ručni alat direktno na Vas.

c) **Kada se ploča zaglavi ili se rez prekine iz bilo kojeg razloga, isključite električni ručni alat i držite ga u nepokretnom stanju sve dok se ploča potpuno ne zaustavi.** Nikada nemojte pokušavati da izvadite ploču iz reza dok se rezna ploča okreće, jer može doći do odbačaja unatrag. Ispitajte i poduzmite odgovarajuću korektivnu mjeru kako biste otklonili uzrok zaglavlivanja ploče.

d) **Nemojte ponovno pokretati operaciju rezanja na izratku.** Pustite ploču da dostigne punu brzinu i oprezno ponovno uđite u rez. Ploča se može zaglaviti, podići ili odbaciti unazad ako se električni ručni alat ponovno pokrene u izratku.

e) **Poduprite ploče i svaki veći izradak kako biste minimizirali rizik od prištičuca i odbačaja unatrag.** Veliki izradci teže ugibanju pod vlastitom težinom. Ispod izratka, blizu linije reza i blizu ruba izratka na obje strane rezne ploče moraju se postaviti potpore.

f) **Budite posebno oprezni kada režete "džepove" u postojećim zidovima ili drugim slijepim površinama.** Prodiruća ploča može prekratiti cijevi za plin ili vodu, električne provodnike ili predmete koji mogu prouzročiti odbačaj unatrag.

Sigurnosna upozorenja specifična za operacije finog brušenja:

a) **Ne rabite predimenzionirani brusni papir za disk.** Pri odabiru brusnog papira slijedite preporuke proizvođača. Veći brusni papir koji strši izvan podloge za fino brušenje predstavlja opasnost od cijepanja i može prouzročiti zaglavlivanje, kidanje diska ili odbačaj unatrag.

Sigurnosna upozorenja specifična za postupke pomoću žičane četke:

a) **Imajte u vidu da četka razbacuje čekinje čak i tijekom običnog rada.** Nemojte previše naprezati žice prekomjernim opterećivanjem četke. Žičane čekinje mogu lako probiti tanku odjeću i/ili kožu.

b) **Ako se za rad pomoću žičane četke preporučuje štitičnik, nemojte dopustiti da štitičnik ometa ploču ili četku.** Promjer žičane ploče ili četke može se povećati uslijed radnog opterećenja i centrifugalnih sila.

Dodatna sigurnosna upozorenja:

17. **Ako koristite koljenaste brusne ploče, obavezno koristite samo ploče od ojačanih staklenih vlakana.**

18. **NE KORISTITE ploče tipa kamene šalice s ovom brusilicom.** Ova brusilica nije konstruirana za ove tipove ploča i korištenje takvog proizvoda

može rezultirati ozbiljnom ozljedom.

19. **Pazite da ne oštetite vreteno, prirubnicu (posebno instalacijsku površinu) ili sigurnosnu maticu. Oštećenje ovih dijelova bi moglo rezultirati lomljenjem ploče.**
20. **Prije nego se sklopka uključi, provjerite dodiruje li ploča izradak.**
21. **Prije nego upotrijebite alat na stvarnom izratku, pustite ga da radi neko vrijeme. Obratite pažnju na vibraciju ili ljuljanje koje bi moglo ukazivati na lošu instalaciju ili loše balansiranu ploču.**
22. **Rabite navedenu površinu ploče da biste vršili brušenje.**
23. **Ne ostavljajte alat da radi. Radite s alatom samo tako što ga držite rukom.**
24. **Ne dodirujte izradak odmah nakon rada; može biti izuzetno vruć i mogao bi opeći Vašu kožu.**
25. **Slijedite upute proizvođača za pravilnu montažu i uporabu ploča. Pozorno rukujte pločama i skladištite ih.**
26. **Ne koristite čahure ili adaptore za redukciju za podešavanje abrazivnih ploča s velikim otvorom.**
27. **Koristite samo prirubnice specificirane za ovaj alat.**
28. **Za alate koji trebaju biti opremljeni pločom s navojnim otvorom, provjerite je li navoj ploče dovoljno dug da prihvati dužinu vretena.**
29. **Provjerite je li izradak propisno poduprijet.**
30. **Pazite da se ploča nastavi okretati nakon što se alat isključi.**
31. **Ako je radno mjesto ekstremno zagrijano i vlažno ili ozbiljno zagađeno prašinom na provodnicima, koristite kratkospojnu sklopku (30 mA) kako biste osigurali sigurnost rukovatelja.**
32. **Ne koristite alat na materijalima koji sadrže azbest.**
33. **Kada koristite reznu ploču, uvijek radite sa štitnikom ploče protiv prašine kojeg zahtijevaju lokalni propisi.**
34. **Rezni diskovi se ne smiju izlagati bočnom pritisku.**

ČUVAJTE OVE UPUTE.

⚠️UPOZORENJE:

NEMOJTE dozvoliti da udobnost ili znanje o proizvodu (stečeno stalnim korištenjem) zamijene strogo pridržavanje sigurnosnih propisa za određeni proizvod. ZLORABA ili nepridržavanje sigurnosnih propisa navedenih u ovom priručniku s uputama mogu prouzročiti ozbiljne ozljede.

FUNKCIONALNI OPIS

⚠️OPREZ:

- Obavezno provjerite je li stroj isključen i da li je kabel izvađen prije podešavanja ili provjere funkcije na alatu.

Blokada vretena

⚠️OPREZ:

- Nikada nemojte aktivirati blokadu vretena kad vreteno radi. Alat se može oštetiti.

SI.1

Pritisnite blokadu vretena da se osovina ne bi obrtala kad postavljate ili skidate dodatnu opremu.

Položaji za montiranje ručke s prekidačem

(Za modele GA7030R, GA7040R, GA9030R i GA9040R)

SI.2

Ručka s prekidačem može se rotirati za 90° lijevo ili desno kako bi odgovarao vašim potrebama rada. Prvo, isključite alat. Pritisnite gumb za blokadu i zakrenite ručku s prekidačem ulijevo ili udesno u potpunosti. Ručka s prekidačem ostat će blokirana u tom položaju.

⚠️OPREZ:

- Ručka s prekidačem treba biti blokirana u željenom položaju prije rada.

Uključivanje i isključivanje

⚠️OPREZ:

- Prije uključivanja stroja na električnu mrežu provjerite radi li uključno-isključna sklopka i da li se vraća u položaj za isključivanje "OFF" nakon otpuštanja.

SI.3

Za alat sa sklopkom za blokadu

Za pokretanje alata jednostavno povucite uključno/isključnu sklopku (u smjeru B). Za isključivanje stroja otpustite uključno/isključnu sklopku. Za kontinuirani rad, povucite uključno/isključnu sklopku (u smjeru B), a zatim gurnite polugu za blokadu (u smjeru A). Za zaustavljanje alata iz blokiranog položaja, povucite uključno/isključnu sklopku (u smjeru B) do kraja i otpustite je.

Za alat sa sklopkom za deblokadu

SI.4

Da biste spriječili slučajno povlačenje uključno/isključne sklopke, na uređaj je postavljena poluga za blokadu. Za uključivanje alata, gurnite polugu za blokadu (u smjeru A), a zatim povucite uključno/isključnu sklopku (u smjeru B). Za zaustavljanje otpustite uključno/isključnu sklopku. Za kontinuirani rad, gurnite polugu za blokadu u (u smjeru A), povucite uključno/isključnu sklopku (u smjeru

B), a zatim povucite polugu za blokadu (u smjeru C). Za zaustavljanje alata iz blokiranog položaja, povucite uključno/isključnu sklopku u potpunosti (u B smjeru), a zatim je otpustite.

Žaruljica indikatora

SI.5

Žaruljica indikatora svijetli zeleno kad je alat uključen. Ako se žaruljica indikatora ne uključi, kabel za napajanje ili upravljač mogu biti u kvaru. Žaruljica indikatora svijetli, ali se alat ne pokreće iako je uključen, što ukazuje da su ugljene četkice ili upravljač istrošeni, odnosno da su motor ili uključno/isključna sklopka u kvaru.

Dokaz o nenamjernom ponovnom pokretanju

Jednaka poluga za blokiranje drži uključno/isključnu sklopku pritisnutom (Blokirani položaj) i ne dopušta ponovno pokretanje alata, čak i kad je uključen.

U ovom trenutku, žaruljica trepti crveno i pokazuje da je uređaj za nenamjerno ponovno pokretanje u funkciji.

Za poništenje uređaja za nenamjerno ponovno pokretanje, povucite prekidač okidača u potpunosti, a zatim ga otpustite.

Značajka mekog pokretanja (soft-start)

Ovi modeli počinju raditi polagano kada su uključeni. Ova značajka mekog pokretanja osigurava neometan rad.

MONTAŽA

⚠️ OPREZ:

- Prije svih zahvata na stroju obavezno isključite stroj i priključni kabel izvucite iz utičnice.

Instaliranje bočnog rukohvata (držke)

⚠️ OPREZ:

- Prije rada uvijek provjerite je li bočni rukohvat instaliran sigurno.

SI.6

Pritegnite bočni rukohvat čvrsto na alat u položaju prikazanom na slici.

Instaliranje ili uklanjanje štitnika ploče (za pritisnutu centralnu brusnu ploču, multidisk, žičnu brusnu ploču, abrazivnu brusnu ploču, dijamantnu ploču)

⚠️ UPOZORENJE:

- Kada se koristi koljenasta brusna ploča/multidisk, savinuta ploča ili četka sa žičanom pločom, štitnik ploče mora biti pričvršćen na alat tako da se zatvorena strana štitnika uvijek nalazi okrenuta prema rukovatelju.
- Kada se koristi abrazivna rezna/dijamantna ploča, obavezno je rabiti samo specijalni štitnik ploče namijenjen za uporabu s brusnim pločama. (U europskim zemljama, kada koristite dijamantnu ploču, može se koristiti običan štitnik.)

Za alat sa štitnikom koluta sa zaustavnim vijkom

SI.7

Štitnik ploče postavite tako da izbočina na prstenu štitnika bude poravnata sa žlijebom na kućištu ležaja. Nakon toga okrenite štitnik za ugao koji može da štiti rukovatelja ovisno o radu. Obavezno vijak pričvrstite sigurno.

Da biste skinuli štitnik, primijenite obrnuti redoslijed.

Za alat sa štitnikom koluta u obliku poluge za stezanje

SI.8

SI.9

Otpustite polugu na štitniku ploče. Štitnik ploče postavite tako da izbočina na prstenu štitnika bude poravnata sa žlijebom na kućištu ležaja. Zatim zakrenite štitnik ploče oko položaja prikazanog na slici. Pritegnite polugu da biste pričvrstili štitnik ploče. Ako je poluga preuska ili preširoka za pričvršćivanje štitnika ploče, otpustite ili pritegnite maticu za podešavanje zatezanja trake štitnika ploče.

Da biste skinuli štitnik, primijenite obrnuti redoslijed.

Namještanje ili skidanje pritisnute koljenaste brusne ploče/multidiska (dodatni pribor)

⚠️ UPOZORENJE:

- Koristite isporučeni štitnik uvijek kada se koljenasta brusna ploča/multidisk nalazi na alatu. Ploča se tijekom uporabe može razbiti, a štitnik pomažu da se smanji mogućnost osobne ozljede.

SI.10

Unutarnju prirubnicu postavite na vreteno. Navucite ploču/disk na unutarnju prirubnicu i zavrnite sigurnosnu maticu na vreteno.

Superprirubnica

Modeli označeni slovom F imaju superprirubnicu kao dio standardne opreme. U odnosu na konvencionalne alate potrebna je tek trećina napora da se otpusti sigurnosna matica.

Za Australiju i Novi Zeland

SI.11

Unutarnju prirubnicu postavite na vratilo. Postavite ploču/disk na unutarnju prirubnicu i zavrnite sigurnosnu maticu tako da izbočenje bude prema dolje.

SI.12

Da biste pritegnuli sigurnosnu navrtku, pritisnite tipku za blokadu vretena čvrsto tako da se vratilo ne može obrtati, a zatim ključem čvrsto pritegnite sigurnosnu maticu u smjeru kazaljke na satu.

Da biste skinuli ploču, primijenite obrnuti redoslijed.

Instalacija ili uklanjanje abrazivnog diska (dodatna oprema)

NAPOMENA:

- Koristite samo pribor za brušenje naveden u ovom priručniku. Mora se kupiti zasebno.

SI.13

Gumeni podložak postavite na vratilo. Postavite disk na gumeni podložak i zavrnite pričvrstnu maticu na vratilo. Da biste pritegli pričvrstnu maticu, pritisnite tipku blokade vratila čvrsto tako da se vratilo ne može obrtati, a zatim ključem čvrsto pritegnite sigurnosnu maticu u smjeru kazaljke na satu.

Da biste uklonili ploču, primijenite obrnuti redoslijed instalacije.

RAD SA STROJEM

⚠UPOZORENJE:

- Na alat nikada ne treba primijeniti silu. Težina alata osigurava odgovarajući pritisak. U slučaju pretjeranog pritiska postoji opasnost da se ploča raspadne.
- UVIJEK zamijenite ploču ako tijekom brušenja ispustite alat.
- Brusna ploča se NIKADA ne smije udarati o predmet obrade.
- Vodite računa da ploča ne odskoči ili da se ne okrhne, osobito pri obradi kutova, oštih rubova, itd. To bi moglo izazvati gubitak kontrole i odbačaj unatrag.
- NIKAD ne rabite alat sa listovima pile za rezanje drveta i drugim listovima pile. Kada se takvi listovi rabe na brusilici, izazivaju česte odbačaje unatrag i gubitak kontrole, što može prouzročiti ozljede.

⚠OPREZ:

- Nikad nemojte uključivati alat kada je u kontaktu s izratkom, to može uzrokovati ozljede rukovatelja.
- Uvijek nosite zaštitne naočale ili štitnik za lice tijekom rada.
- Nakon završetka rada, uvijek isključite alat i sačekajte dok se potpuno ne zaustavi prije nego što ga odložite.

Oštrenje i poliranje

SI.14

UVIJEK držite alat čvrsto jednom rukom za stražnji držak i drugom za bočni držak. Uključite alat i postavite ploču ili disk na izradak.

Držite rub brusne ploče ili diska pod kutom od oko 15 stupnjeva prema površini izratka.

Tijekom uhodavanja nove ploče brusilice, nemojte pomicati brusilicu u smjeru B, jer će u protivnom ploča zarezati izradak. Kada se rub brusne ploče zbog uporabe zaokruži, ploču možete koristiti i u smjeru A i u smjeru B.

Rad sa žičanom četkom (dodatna oprema)

⚠OPREZ:

- Provjerite ispravnost četke pokretanjem alata bez opterećenja i pazite da ispred i iza četke ne bude nikoga.
- Nemojte koristiti četku koja je oštećena ili koja nije u ravnoteži. Uporaba oštećene četke može povećati mogućnost za ozljede od dodira sa slomljenim žicama četke.

SI.15

Isključite alat i postavite ga naopako da biste lako pristupili vratilu. Uklonite sav pribor s vratila. Postavite žičanu četku na vratilo i zategnite je isporučnim ključem. Kada koristite četku, nemojte primjenjivati prevelik pritisak koji uzrokuje više savijanje žice, što dovodi do preranog pucanja.

Rad sa četkom sa žičanom pločom (dodatna oprema)

⚠OPREZ:

- Provjerite ispravnost četke sa žičanom pločom pokretanjem alata bez opterećenja i pazite da ispred i iza četke ne bude nikoga.
- Nemojte koristiti četku sa žičanom pločom koja je oštećena ili koja nije u ravnoteži. Uporaba oštećene četke sa žičanom pločom može povećati mogućnost za ozljede od dodira sa slomljenim žicama četke.
- Za četku sa žičanom pločom UVIJEK koristite štitnik, i provjerite da se promjer kotača uklapa u štitnik. Ploča se tijekom uporabe može razbiti, a štitnici pomažu da se smanji mogućnost osobne ozljede.

SI.16

Isključite alat i postavite ga naopako da biste lako pristupili vratilu. Uklonite sav pribor s vratila. Upletite četku sa žičanom pločom na vratilo i pritegnite ključevima. Kada koristite četku sa žičanom pločom izbjegavajte prevelik pritisak koji uzrokuje veće savijanje žice, što dovodi do preranog pucanja.

Rad s abrazivnom reznom/dijamantnom pločom (opcionalni pribor)

⚠UPOZORENJE:

- Kada se koristi abrazivna rezna/dijamantna ploča, obavezno je rabiti samo specijalni štitnik ploče namijenjen za uporabu s brusnim pločama. (U europskim zemljama, kada koristite dijamantnu ploču, može se koristiti običan štitnik.)
- NIKAD nemojte rabiti brusnu ploču za bočno brušenje.
- Nemojte "zaglavljivati" ploču niti primjenjivati prekomjerni pritisak. Nemojte pokušavati da napravite prekomjernu dubinu reza. Prekomjerno naprezanje povećava opterećenje i osjetljivost na

uvijanje ili zaglavljivanje ploče u rezu, kao i mogućnost odbačaja unatrag, lomljenja ploče i pregrijavanja motora.

- Nemojte ponovno pokretati postupak rezanja na izratku. Pustite da ploča dostigne punu brzinu i pažljivo uđite u rez pomjerajući alat naprijed preko površine izratka. Ploča se može saviti, podići ili vratiti unatrag ako se električni alat pokrene u izratku.
- Tijekom postupaka rezanja, nikada nemojte mijenjati ugao brusne ploče. Primjena bočnog pritiska na brusnu ploču (kao prilikom brušenja) prouzročit će pucanje i lomljenje ploče te ozbiljnu tjelesnu ozljedu.
- Dijamantna ploča se mora postaviti okomito na materijal koji se reže.

Unutarnju prirubnicu postavite na vreteno. Navucite ploču/disk na unutarnju prirubnicu i zavrnite sigurnosnu maticu na vreteno.

SI.17

Za Australiju i Novi Zeland

Instalacija ili uklanjanje abrazivne brusne / dijamantne ploče (dodatni pribor)

SI.18

ODRŽAVANJE

OPREZ:

- Prije svih zahvata na stroju provjerite jeste li isključili stroj i priključni kabl izvadili iz utičnice.
- Nikada nemojte koristiti benzin, mješavinu benzina, razrjeđivač, alkohol ili slično. Kao rezultat toga može se izgubiti boja, pojaviti deformacija ili pukotine.

SI.19

Alat i njegovi ventilacijski otvori se moraju držati čistim. Redovito čistite ventilacijske otvore ili kad god se otvori zaglave.

Zamjena ugljenih četkica

SI.20

Kad vrh ugljene četkice izoliran smolom bude izložen dodiru s komutatorom, on će automatski isključiti motor. Kada se to dogodi, obje ugljene četkice treba zamijeniti. Vodite računa da su ugljene četkice čiste i da ne mogu skliznuti u držače. Obe ugljene četkice treba zamijeniti istovremeno. Rabite samo identične ugljene četkice.

SI.21

Koristite odvijač da biste uklonili poklopce ugljenih četkica. Izvadite istrošene ugljene četkice, umetnite nove i pričvrstite poklopce držača četkice.

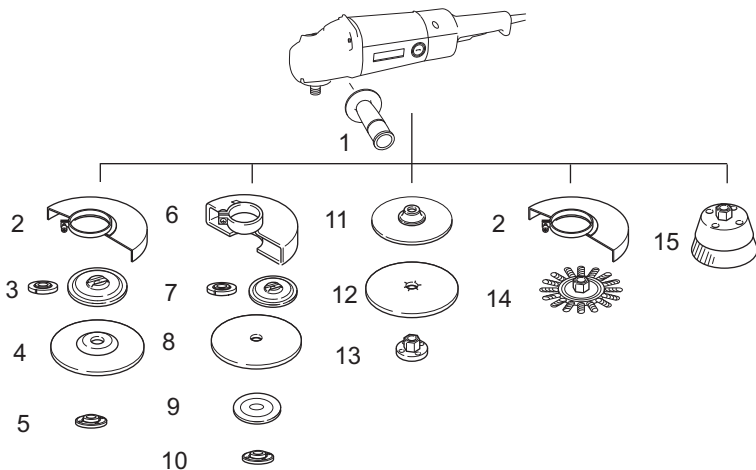
Da biste zadržali SIGURNOST I POUZDANOST proizvoda, održavanje ili namještanja morate prepustiti ovlaštenim Makita servisnim centrima, uvijek rabite originalne rezervne dijelove.

DODATNI PRIBOR

OPREZ:

- Ovaj dodatni pribor ili priključci se preporučuju samo za uporabu sa Vašim Makita strojem preciziranim u ovom priručniku. Uporaba bilo kojih drugih pribora ili priključaka može donijeti opasnost od ozljeda. Rabite dodatak ili priključak samo za njegovu navedenu namjenu.

Ako Vam je potrebna pomoć za više detalja u pogledu ovih dodatnih pribora, obratite se najbližem Makita servisnom centru.



1	Bočni rukohvat
2	Štitnik za koljenastu brusnu ploču / multidisk / žičanu četku u obliku kotača
3	Unutarnja prirubnica / super prirubnica / unutarnja prirubnica 102 (samo za Australiju i Novi Zeland)
4	Koljenasta brusna ploča/multidisk
5	Sigurnosna matica / Ezynut*1
6	Štitnik ploče za abrazivno rezanje / dijamantne ploče*2
7	Unutarnja prirubnica / super prirubnica / unutarnja prirubnica 78 (samo za Australiju i Novi Zeland)
8	Ploča za abrazivno rezanje / dijamantna ploča
9	Vanjska prirubnica 78 (samo za Australiju i Novi Zeland)*3
10	Sigurnosna matica / Ezynut*1
11	Gumena podloga
12	Abrazivni disk
13	Sigurnosna matica za fino brušenje
14	Žičana četka u obliku kotača
15	Žičana četka u obliku stošca
—	Ključ za sigurnosnu maticu
—	Priključni pokrov protiv prašine

*1 Ne koristite super prirubnicu i Ezynut zajedno.

*2 U europskim se državama pri uporabi dijamantne ploče može koristiti obični štitnik umjesto posebnog štitnika koji pokriva obje strane ploče.

*3 Koristite unutarnju prirubnicu 78 i vanjsku prirubnicu 78 zajedno. (samo za Australiju i Novi Zeland)

011513

NAPOMENA:

- Neke stavke iz popisa se mogu isporučiti zajedno sa strojem kao standardni dodatni pribori. Oni mogu biti različiti ovisno o zemlji.

МАКЕДОНСКИ (Оригинални упатства)

Опис на оштиот преглед

1-1. Забравник на вретеното	9-2. Рачка	17-3. Внатрешна фланша
2-1. Кукиште на моторот	10-1. Навртка за стегање	17-4. Штитник за тркало за абразивно сечење/дијамантско тркало
2-2. Копче за заклучување	10-2. Тркало со вдлабнато средиште	18-1. Навртка за стегање
2-3. Дршка	10-3. Супер-фланша	18-2. Надворешна фланша 78
3-1. Рачка за блокирање	10-4. Внатрешна фланша	18-3. Тркало за абразивно сечење/дијамантско тркало
3-2. Прекинувач	11-1. Навртка за стегање	18-4. Внатрешна фланша 78
4-1. Рачка за блокирање	11-2. Тркало со вдлабнато средиште	18-5. Штитник за тркало за абразивно сечење/дијамантско тркало
4-2. Прекинувач	11-3. Внатрешна фланша	19-1. Издувен отвор
5-1. Индикаторска ламбичка	12-1. Клуч за стегање	19-2. Влезе отвор
7-1. Штитник за тркалото	12-2. Забравник на вретеното	20-1. Менувач
7-2. Завртка	13-1. Навртка за стегање	20-2. Врв за изолација
7-3. Кутија на лежиштето	13-2. Абразивен диск	20-3. Карбонска четка
8-1. Штитник за тркалото	13-3. Гумена подлошка	21-1. Капаче на држач на четкичка
8-2. Кутија на лежиштето	15-1. Испакната жичена четка	21-2. Одвртка
8-3. Навртка	16-1. Жичана увртена четка	
8-4. Рачка	17-1. Навртка за стегање	
9-1. Навртка	17-2. Тркало за абразивно сечење/дијамантско тркало	

ТЕХНИЧКИ ПОДАТОЦИ

Модел	GA7020R	GA7030R	GA7040R	GA9020R	GA9030R	GA9040R
Пречник на тркало со вдлабнато средиште	180 мм			230 мм		
Макс. дебелина на тркалото	6,5 мм	6,5 мм	6,5 мм	6,5 мм	6,5 мм	6,5 мм
Навој на вретеното	M14					
Номинална брзина (n) / Неоптоварена брзина (n ₀)	8.500(мин. ⁻¹)			6.600(мин. ⁻¹)		
Вкупна должина	473 мм	503 мм		473 мм	503 мм	
Нето тежина	5,6 кг	6,3 кг	6,6 кг	5,8 кг	6,5 кг	6,9 кг
Безбедносна класа	□/Л					

- Поради постојаното истражување и развој, техничките податоци дадени тука може да се менуваат без известување.
- Спецификациите може да се разликуваат од земја до земја.
- Тежина според EPTA-Procedure 01/2003

Намена

Алатот е наменет за брусење, стругање и сечење метал и камен без користење вода.

ENE048-1

ENF002-2

Напојување

Алатот треба да се поврзува само со напојување со напон како што е назначено на плочката и може да работи само на еднофазна наизменична струја. Алатот е двојно изолиран и може да се користи и со приклучоци што не се заземјени.

ENG905-1

Бучава

Типичната A-вредност за ниво на бучавата одредена според EN60745 изнесува:

Ниво на звучниот притисок (L_{рА}): 90 дБ (А)

Ниво на звучна моќност (L_{wА}): 101 дБ (А)

Отстапување (К): 3 дБ (А)

Вибрации

Вкупна вредност на вибрациите (векторска сума на три оски) одредена според EN60745:

ENG900-1

Модел GA7020R

Работен режим: површинско брусење

Јачина на вибрации (a_{h,AG}): 8,0 м/с²

Отстапување (К): 1,5 м/с²

Работен режим: стругање со диск

Јачина на вибрации (a_{h,DS}): 3,0 м/с²

Отстапување (К): 1,5 м/с²

Модел GA7030R

Работен режим: површинско брусење

Јачина на вибрации (a_{h,AG}): 6,5 м/с²

Отстапување (К): 1,5 м/с²

Носете штитници за ушите

Работен режим: стругање со диск
 Јачина на вибрации ($a_{h,DS}$): 3,5 м/с²
 Отстапување (К): 1,5 м/с²

Модел GA7040R

Работен режим: површинско брусење
 Јачина на вибрации ($a_{h,AG}$): 7,0 м/с²
 Отстапување (К): 1,5 м/с²

Работен режим: стругање со диск
 Јачина на вибрации ($a_{h,DS}$): 3,0 м/с²
 Отстапување (К): 1,5 м/с²

Модел GA9020R, GA9040R

Работен режим: површинско брусење
 Јачина на вибрации ($a_{h,AG}$): 6,0 м/с²
 Отстапување (К): 1,5 м/с²

Работен режим: стругање со диск
 Јачина на вибрации ($a_{h,DS}$): 2,5 м/с² или помалку
 Отстапување (К): 1,5 м/с²

Модел GA9030R

Работен режим: површинско брусење
 Јачина на вибрации ($a_{h,AG}$): 5,5 м/с²
 Отстапување (К): 1,5 м/с²

Работен режим: стругање со диск
 Јачина на вибрации ($a_{h,DS}$): 2,5 м/с² или помалку
 Отстапување (К): 1,5 м/с²

ENG902-1

- Номиналната јачина на вибрациите е измерена во согласност со стандардните методи за испитување и може да се користи за споредување на алати.
- Номиналната јачина на вибрациите може да се користи и како прелиминарна проценка за изложеност.
- Номиналната јачина на вибрациите се користи за главните наменина алатот. Меѓутоа, ако алатот се користи за други намени, јачината на вибрациите може да биде различна.

⚠ ПРЕДУПРЕДУВАЊЕ:

- Јачината на вибрациите при фактичкото користење на алатот може да се разликува од номиналната вредност, зависно од начинот на којшто се користи алатот.
- Погрижете се да ги утврдите безбедносните мерки за заштита на операторот врз основа на проценка на изложеноста при фактичките услови на употреба (земајќи ги предвид сите делови на работниот циклус, како периодите кога алатот е исклучен и кога работи во празен од, не само кога е активен).

Само за земјите во Европа

Декларација за сообразност за ЕУ

Makita изјавува дека следната машина(и):

Ознака на машината:

Аголна брусилка

Модел бр./ Тип: GA7020R, GA7030R, GA7040R, GA9020R, GA9030R, GA9040R

Усогласени се со следниве европски Директиви:

2006/42/EC

Тие се произведени во согласност со следниве стандарди или стандардизирани документи:

EN60745

Техничкото досие во согласност со 2006/42/EC е достапно преку:

Makita, Jan-Baptist Vinkstraat 2, 3070, Belgium

31.12.2013



000331

Yasushi Fukaya

Директор

Makita, Jan-Baptist Vinkstraat 2, 3070, Belgium

GEA010-1

Општи упатства за безбедност за електричните алати

⚠ ПРЕДУПРЕДУВАЊЕ Прочитајте ги сите безбедносни предупредувања и сите упатства. Ако не се почитуваат предупредувањата и упатствата, може да дојде до струен удар, пожар или тешки повреди.

Чувајте ги сите предупредувања и упатства за да можете повторно да ги прочитате.

GEB033-7

БЕЗБЕДНОСНИ ПРЕДУПРЕДУВАЊА ЗА БРУСИЛКАТА

Општи безбедносни предупредувања за брусење, стругање, четкање со жица или абразивно сечење:

1. Овој алат е наменет да се користи за брусење, стругање, четкање со жица и абразивно сечење. Прочитајте ги сите безбедносни предупредувања, упатства, илустрации и спецификации дадени со овој електричен алат. Ако не се почитуваат сите упатства наведени подолу, може да дојде до струен удар, пожар или тешки повреди.

2. **Не се препорачува да се врши полирање со овој алат.** Операциите за кои алатот не е наменет може да предизвикаат опасност и физички повреди.
3. **Не користете додатоци што не се посебно одредени и препорачани од производителот на алатот.** Тоа што некој додаток може да се монтира на алатот не значи дека работата со него ќе биде безбедна.
4. **Номиналната брзина на додатокот мора да биде барем еднаква со максималната брзина означена на алатот.**Dodатоци што се вртат побрзо од номиналната брзина може да се скршат и да се распиркаат.
5. **Надворешниот пречник и дебелината на додатокот мора да се во рамките на номиналниот капацитет на алатот.**Dodатоци со неправилна големина не можат соодветно да се заштитат или контролираат.
6. **Монтажните додатоци со навој мора да соодветствуваат на навојот на вретеното на брусилката.** За додатоци што се монтираат со фланши, дупчето за прицвстување на додатокот мода да одговара на дијаметарот на фланшата. Dodатоците што не одговараат на монтираниот хардвер на алатот ќе работаат вон рамнотежа, ќе вибрираат прекумерно и може да предизвикаат губење на контролата.
7. **Не користете оштетени додатоци.** Пред секоја употреба, проверете ги додатоците - абразивните тркала да не се скршени или напукнати, подлошките да не се напукнати, избавени или истрошени, четките да нема откачени или искинати жици. Ако алатот или додатокот ви падне, проверете дали има оштетувања или ставете нештетен додаток. Откако ќе го проверите и ќе го наместите додатокот, поставете се себеси и околните лица подалеку од рамнината вртливиот додаток и ракувајте со алатот при максимална неоптоварена брзина една минута. Оштетени додатоци обично се распаѓаат за време на овој пробен период.
8. **Носете заштитна опрема. Зависно од примената, користете заштита за лицето, безбедносни затемнети очила или заштитни очила.** Зависно од работата, носете маска за прашина, ракавици и работна престилка што може да сопне мали отпадоци од брусење или стругање. Заштитата за очи треба да сопира разлетан отпад произведен од работата. Маската за прашина или респираторот треба да можат да ги филтрираат честичките што ги произведува вашата работа. Подолга изложеност на голема бучава може да предизвика оштетување на слухот.
9. **Присутните лица треба да се на безбедна оддалеченост од работното подрачје. Секој што влегува во работното подрачје треба да носи заштитна опрема.** Парчиња од обработуваниот материјал или од скршен додаток може да одлетаат и да предизвикаат повреди надвор од непосредното работно подрачје.
10. **Држете го алатот само за изолираните држачи кога вршите работи кога додатокот за сечење може да дојде во допир со скриени жици или сопствениот кабел.** Dodатоци за сечење што ќе допре жица под напон може да ја пренесе струјата до металните делови на алатот и да предизвика струен удар на операторот.
11. **Поставете го кабелот подалеку од вртливиот додаток.** Ако изгубите контрола, кабелот може да се пресече или повлече и раката или дланката може да ви се повлечат во вртливиот додаток.
12. **Не одложувајте го алатот додека додатокот не сопне сосема.** Вртливиот додаток може да ја зафати површината и да го извлече алатот од контрола.
13. **Алатот не смее да е вклучен додека го пренесувате.** Случаен допир со вртливиот додаток може да ви ја зафати облеката и да ве повреди.
14. **Редовно чистете ги отворите за проветрување на алатот.** Вентилаторот на моторот привлекува прашина во куќиштето и прекумерно насобирање метал во прав може да предизвика опасност од струен удар.
15. **Не ракувајте со алатот близу до запаливи материјали.** Искрите може да предизвикаат пожар.
16. **Не користете додатоци за коишто се потребни течности за ладење.** Користењето вода или друга течност за ладење може да предизвика струен удар.

Повратен удар - предупредувања

Повратен удар настанува при ненадејно заглавување или поткачување на тркало, подлошка, четка или некој друг додаток што се врти. Заглавувањето или поткачувањето предизвикува нагло сопираање а вртливиот додаток, што предизвикува губење контрола врз алатот и негово придвижување во насока спротивна од вртењето на тркалото на точката на заглавувањето. На пример, ако абразивно тркало се заглави во предметот на којшто се работи, работ на тркалото што влегува во точката на заглавувањето може да се зарие во површината на материјалот, што ќе предизвика тркалото да излезе или да отскокне. Тркалото може да отскокне кон или подалеку од операторот, зависно од насоката на движење на тркалото во точката на заглавување. Абразивните

тркала можат и да се скршат во такви услови.

Повратниот удар е резултат од неправилна употреба на алатот или неправилни работни постапки и услови и може да се избегне со преземање соодветни предострожности, како што е наведено подолу.

а) **Цврсто држете го алатот и наместете ги телото и раката така што ќе можат да ги издржат силите од повратен удар. Секогаш користете помошна рачка, ако ја има, за максимална контрола при повратен удар или торзиона реакција за време на стартувањето.** Операторот може да ги контролира торзиските реакции и силите на повратниот удар ако се преземат соодветни предострожности.

б) **Не ставајте ја раката близу до вртлив додаток.** Добавокот може да ви се одбие преку раката.

в) **Не поставувајте го телото во подрачјето каде што алатот ќе се придвижи во случај на повратен удар.** Повратниот удар ќе го фрли алатот во насока спротивна од движењето на тркалото во точката на заглавување.

г) **Бидете особено внимателни кога работите на агли, остри рабови и сл. Избегнувајте скокање и завлекување на додатокот.** Аглитите, острите рабови и отскокнувањето можат да го заглават вртливиот додаток и да предизвикаат губење контрола или повратен удар.

д) **Не ставајте сечила за длаборез или назабени сечила.** Таквите сечила често предизвикуваат повратни удари и губење контрола.

Безбедносни предупредувања посебни за брусее и абразивно сечење:

а) **Користете само типови тркала што се препорачани за вашиот алат и специфичниот штитник конструиран за избраното тркало.** Тркала за кои алатот не е конструиран не може да се заштитат соодветно и се небезбедни.

б) **Површината што се бруси на тркалата со влабено средиште мора да биде монтирана под рамнината на заштитникот.** Неправилно монтираното тркало што поминува низ рамнината на заштитникот не може адекватно да се заштити.

в) **Заштитникот треба да е прицврстен за алатот и наместен за максимална безбедност, така што најмало количество тркало е изложено кон операторот.** Заштитникот помага да се заштити операторот од парчиња скршено тркало, случаен контакт со тркалото и искри што може да ја запалат облеката.

г) **Тркалата треба да се користат само за препорачаните намени. На пример: не**

брусете со страната на тркало за сечење.

Тркалата за абразивно сечење се наменети за периферно брусее, странични сили нанесени на таквите тркала може да ги распркаат.

д) **Секогаш користете нештетени фланши за тркалото што се со правилни големина и облик за избраното тркало.** Соодветните фланши за тркалото го држат и со тоа ја намалуваат можноста тоа да се скрши. Фланшите за тркалата за сечење може да се различни од фланшите за брусните плочи.

ѓ) **Не користете изабени тркала од поголеми електрични алати.** Тркалата наменети за поголеми алати не се погодни за поголемите брзини на помалите алати и може да прснат.

Дополнителни безбедносни предупредувања за абразивно сечење:

а) **Не заглавувајте го тркалото за сечење и не притискајте прекумерно. Не обидувајте се да режете многу длабоко.** Пренапрегнувањето на тркалото го зголемува оптоварувањето и можноста за извитување или лепење на тркалото во резот, и со тоа за повратен удар или кршење на тркалото.

б) **Не поставувајте го телото во линија со вртливото тркало или зад него.** Кога тркалото, на точката на работа, се движи подалеку од вашето тело, можниот повратен удар може да ги фрли завртеното тркало и алатот право на вас.

в) **Кога тркалото се лепи или кога сечењето се прекинува поради нешто, исклучете го алатот и држете го неподвижен додека тркалото не сопне целосно. Не обидувајте се да го извадите тркалото за сечење од резот додека тркалото се движи, инаку може да дојде до повратен удар.** Испитајте и преземете мерки за отстранување на причините за лепење на тркалото.

г) **Не почнувајте со сечењето повторно додека тркалото е во материјалот. Оставете тркалото да достигне полна брзина и внимателно влезете повторно во резот.** Тркалото може да се залепи, да осцилира или да се тргне наназад ако алатот се активира повторно во материјалот.

д) **Прицврстете ги плочите или материјалите што се преголеми за да го намалите ризикот од заглавување на тркалото и повратен удар.** Големи парчиња материјал обично се виткаат од сопствената тежина. Држачите треба да се стават под материјалот, близу до линијата на сечење и до работ на материјалот од двете страни на тркалото.

ѓ) **Бидете особено внимателни кога правите засек во постојни ѕидови или други слепи подрачја.** Тркалото, за време на навлегувањето, може да исече водоводни или цевки за плин, електрични инсталации или

предмети што може да предизвикаат повратен удар.

Посебни безбедносни предупредувања за стругање:

а) Не користете премногу голема шмиргла. Почитувајте ги препораките на производителот кога бирате шмиргла. Поголема шмиргла што штрчи надвор од подлогата за стругање е опасна бидејќи може да ве расече, да предизвика заглавување, кинење на дискот или повратен удар.

Посебни безбедносни предупредувања за четкање со жица:

а) Имајте предвид дека се исфрлаат жичени влакненца од четката дури и при нормална работа. Не пренапнувајте ги жиците со прекумерен притисок на четката. Влакната на жицата лесно може да пробият лесна облека или кожа.

б) Ако се препорачува користење штитник за четкање со жица, не дозволувајте допира на жиченото тркало или четката со штитникот. Жиченото тркало или четката може да го зголемат пречникот поради работното оптоварување и центрифугалните сили.

Дополнителни безбедносни предупредувања:

17. Кога користите брусни плочи со вдлабнато средиште, користете само тркала зајакнати со фиберглас.
18. **НЕ КОРИСТЕТЕ** испакнати тркала со оваа брусилка. Брусилката не е конструирана за такви видови тркала и користењето такви производи може да доведе до тешки повреди.
19. Внимавајте да не ги оштетите вретеното, фланшата (особено површината за монтирање) или навртката за стегање. Оштетувањето на тие делови може да доведе до кршење на тркалото.
20. Внимавајте тркалото да не го допира материјалот пред да се вклучи прекинувачот.
21. Пред да го користите алатот врз материјалот, оставете го да поработи малку напразно. Видете дали има вибрации или осцилации што може да укажуваат на лошо монтирање или неизбалансирано тркало.
22. Користете ја специфицираната површина на тркалото за брусењето.
23. Не оставајте го алатот вклучен. Работете со алатот само кога го држите в раце.
24. Не допирајте го материјалот веднаш по работата, може да е многу жежок и да ви ја изгори кожата.
25. Почитувајте ги упатствата на производителот за правилно монтирање и користење на тркалата. Бидете внимателни кога ракувате со тркалата и кога ги одложувате.

26. Не користете посебни редукторски лежишта или адаптери за да ставате абразивни тркала со голем отвор.
27. Користете само фланши наменети за алатот.
28. За алатите на кои се ставаат тркала со отвор со навои, внимавајте навојот во тркалото да е доволно долг да ја прими должината на вретеното.
29. Проверете дали материјалот е добро прицврстен.
30. Внимавајте тркалото да продолжи да се врти и откако ќе се исклучи алатот.
31. Ако работното место е крајно жешко и влажно или многу загадено со спроводлив прав, користете прекинувач за краток спој (30 mA) за безбедност на операторот.
32. Не користете го алатот ако материјалот содржи азбест.
33. Кога користите тркало за сечење, секогаш работете со штитникот за собирање прав што го бараат домашните прописи.
34. Дискот за сечење не смее да се притиска странично.

ЧУВАЈТЕ ГО УПАТСТВОТО.

⚠ ПРЕДУПРЕДУВАЊЕ:

НЕ ДОЗВОЛУВАЈТЕ удобноста или запознаеноста со производот (стекната со подолга употреба) да ве наведе да не се придржувате строго до безбедносните правила за односниот производ. **ЗЛОУПОТРЕБАТА** или непочитувањето на безбедносните правила наведени во ова упатство може да предизвикаат тешки телесни повреди.

ОПИС НА ФУНКЦИИТЕ

⚠ВНИМАНИЕ:

- Пред секое дотерување или проверка на алатот проверете дали е исклучен и откачен од струја.

Забравник на вретеното

⚠ВНИМАНИЕ:

- Не затегнувајте го забравникот кога вретеното се движи. Алатот може да се оштети.

Слика1

Притиснете го забравникот за да спречите вртење на вретеното кога ставате или вадите додатоци.

Позиции за монтирање на дршките

(За моделите GA7030R, GA7040R, GA9030R и GA9040R)

Слика2

Дршката може да се заврти за 90° или на лево или на десно за да одговара на вашите работни потреби. Прво, откачете го алатот од напојување. Притиснете го копчето за блокирање и завртете ја дршката целосно кон лево или кон десно. Дршката ќе биде блокирана во таа положба.

⚠ВНИМАНИЕ:

- Секогаш осигуравајте се дека дршката е блокирана во саканата положба пред да започнете со работа.

Вклучување

⚠ВНИМАНИЕ:

- Пред да го приклучите кабелот во мрежата, проверете го прекинувачот дали функционира правилно и дали се враќа во положбата „OFF“ кога ќе се отпушти.

Слика3

За алат со копче за блокирање

За вклучување на алатот, едноставно повлечете го прекинувачот за стартување (во насоката В). Отпуштете го прекинувачот за исклучување на алатот. За континуирана работа, повлечете го прекинувачот (во насоката В) и потоа турнете ја рачката за блокирање (во насоката А). За да го запрете алатот од блокираната положба, целосно повлечете го прекинувачот (во насоката В) и потоа отпуштете го.

За алат со прекинувачи за блокирање и одблокирање

Слика4

За да спречите случајно повлекување на прекинувачот за стартување, вградена е рачка за блокирање.

За да го вклучите алатот, притиснете ја рачката за блокирање (во насоката А) и потоа повлечете го прекинувачот за стартување (во насоката В). Отпуштете го прекинувачот за да запирање на алатот.

За континуирана работа, притиснете ја рачката за блокирање (во насоката А), повлечете го прекинувачот (во насоката В) и потоа повлечете ја рачката за бликирање (во насоката С).

За да го запрете алатот од блокираната положба, целосно повлечете го прекинувачот (во насоката В) и потоа отпуштете го.

Индикаторска ламбичка

Слика5

Индикаторската ламбичка свети зелено кога алатот е приклучен во напојување. Ако индикаторската ламбичка не свети, главниот кабел на контролникот може да биде неисправен. Индикаторската ламбичка е вклучена, но алатот не стартува иако е вклучен, карбонските четки може да се избени, или контролникот, моторот или прекинувачот ON/OFF можеби се неисправни.

Заштита од ненамерно рестартирање

Дури и тоа што рачката за блокирање го држи прекинувачот притиснат (во блокирана положба) не дозволува алатот да се рестартира дури и ако е поврзан во напојување.

Во тој момент, индикаторската ламбичка трепка црвено и покажува дека заштитата од ненамерно рестартирање е активна.

За да ја деактивирате заштитата од ненамерно рестартирање, целосно повлечете го прекинувачот и потоа отпуштете го.

Одлика за меко започнување

Овие модели започнуваат со бавно работење кога ќе се вклучат. Одликата за меко започнување осигурува глатко работење.

СОСТАВУВАЊЕ

⚠ВНИМАНИЕ:

- Пред да работите нешто на алатот, проверете дали е исклучен и откачен од струја.

Местење на страничниот држач

⚠ВНИМАНИЕ:

- Секогаш проверувајте дали страничниот држач е наместен цврсто пред да работите.

Слика6

Завртете го страничниот држач цврсто во положбата на алатот како што е прикажано на сликата.

Ставање или вадење на заштитникот за тркалото (За тркало со вдлабнато средиште, мулти-диск, жичена четка/тркало за абразивно сечење, дијамантско тркало)

⚠️ПРЕДУПРЕДУВАЊЕ:

- Кога користите тркало за брусење со вдлабнато средиште/мулти-диск, флекси-тркало, тркало со жичена четка, заштитникот за тркалото треба да се монтира на алатот така што затворената страна на заштитникот ќе биде свртена кон операторот.
- Кога користите тркало за абразивно сечење / дијамантско тркало, внимавајте да го користите само специјалниот заштитник конструиран за тркалата за сечење. (Во европските земји може да се користи и обичниот штитник со дијамантските тркала).

За алат со штитник за тркалото со завртка

Слика7

Монтирајте го штитникот за тркалото со испакнатината на лентата на штитникот порамнета со жлебот на кутијата на лежиштето. Потоа свртете го штитникот до агол што ќе го заштити операторот зависно од работата. Внимавајте доволно да ја затегнете завртката.

За да го извадите штитникот, следете ја постапката за мesteње по обратен редослед.

За алати со штитник за тркалото со рачка за стегање

Слика8

Слика9

Олабавете ја рачката на заштитникот на тркалото. Монтирајте го заштитникот за тркалото со испакнатината на лентата на штитникот порамнета со жлебот на кутијата на лежиштето. Потоа завртете го заштитникот во положбата прикажана на сликата. Зацврстете ја рачката за да се затегне заштитникот. Ако рачката е претегната или прелабава за да го држи заштитникот, олабавете ја или затегнете ја навртката за прилагодување на затегањето на лентата на заштитникот.

За да го извадите штитникот, следете ја постапката за мesteње по обратен редослед.

Ставање или вадење на тркало за брусење со вдлабнато средиште/Мулти-диск (прибор)

⚠️ПРЕДУПРЕДУВАЊЕ:

- Секогаш користете го испорачаниот заштитник кога на алатот е монтирано тркало за брусење со вдлабнато средиште/Мулти-диск. Тркалото може да се распрсне за време на употребата и заштитникот помага во намалување на шансите за телесна повреда.

Слика10

Монтирајте ја внатрешната фланша на вретеното. Наместете го тркалото/дискот на внатрешната фланша и завртете ја завртката на вретеното.

Супер-фланша

Моделите со буквата F се стандардно опремени со супер-фланша. Потребна е само една третина од силата за одвртување на навртката за блокирање, споредено со конвенционалниот тип.

За Австралија и Нов Зеланд

Слика11

Монтирајте ја внатрешната фланша на вретеното. Поставете го тркалото/дискот на внатрешната фланша и завртете ја навртката за блокирање со испакнатниот дел свртен надолу (кон тркалото).

Слика12

За да ја затегнете завртката, притиснете го забравникот на вретеното цврсто, така што вретеното може да се врти, па со клучот за стегање затегнете ја надесно.

За да го извадите тркалото, следете ја постапката за мesteње по обратен редослед.

Поставување или вадење абразивен диск (опционален додаток)

НАПОМЕНА:

- Користете додаточи за стругање назначени во ова упатство. Тие треба да се купат посебно.

Слика13

Монтирајте ја гумената подлошка на вретеното. Наместете го дискот на гумената подлошка и завртете ја навртката на вретеното. За да ја затегнете навртката, притиснете го блокаторот на вретеното цврсто, така што вретеното може да се врти, па со клучот за стегање затегнете ја во насока на стрелките на часовникот.

За да го извадите дискот, следете ја постапката за мesteње по обратен редослед.

РАБОТЕЊЕ

⚠️ПРЕДУПРЕДУВАЊЕ:

- Не би требало да се применува сила врз алатот. Тежината на алатот нанесува доволно притисок. Додавањето сила и прекумерен притисок може да предизвикаат опасно кршење на тркалото.
- СЕКОГАШ заменувајте го тркалото ако алатот ви падне при брусење.
- НИКОГАШ не удирајте ја плочата или тркалото за брусење на материјалот.
- Избегнувајте отскокнување и заглавување на тркалото, особено кога работите на агли, остри рабови и сл. Така може да изгубите контрола и да дојде до повратен удар.

- НЕ КОРИСТЕТЕ ГО алатот со сечила за длаборез и други пили за дрво. Таквите сечила, кога се користат со брусилка, често удираат и предизвикуваат губење контрола, што може да доведе до телесни повреди.

⚠ВНИМАНИЕ:

- Никогаш не вклучувајте го алатот кога е во контакт со работниот материјал, во спротивно може да дојде до повреда на операторот.
- Секогаш носете заштитни очила или маска за заштита на лицето при работата.
- По работата, секогаш исклучувајте го алатот и почекајте додека тркалото не сопне сосема пред да го одложите алатот.

Брусене и стругање

Слика14

СЕКОГАШ држете го алатот цврсто со едната рака за задната дршка и со другата на страничната дршка. Вклучете го алатот, и потоа доближете го тркалото или дискот до материјалот.

Општо земено, држете го работ на тркалото или на дискот под агол од околу 15 степени во однос на површината на материјалот.

Додека разработувате ново тркало, не работете со брусилката во насоката В или ќе навлезе во материјалот. Штом работ на тркалото ќе се заобли од употребата, со тркалото може да се работи во двете насоки, А и В.

Операции со жичена четка со капаче (опционален додаток)

⚠ВНИМАНИЕ:

- Проверете ја функционалноста на четката оставајќи го алатот да работи без оптоварување, осигурувајќи дека нема никој пред или во линија со четката.
- Не користете ја четката ако е оштетена или ако е неврамнотежена. Користењето оштетена четка може да го зголеми потенцијалот за повреда од доаѓање во допир со скршени жици од четката.

Слика15

Откачете го алатот од напојување поставете го сврен обратно со тоа добивајќи лесен пристап до вретеното. Извадете ги сите додатоци од вретеното. Монтирајте жичена четка со капаче врз вретеното и затегнете со испорачаниот клуч. Кога користите четка, избегнувајте да применувате преголем притисок што предизвикува превиткување на жиците и води до прерано кршење.

Операции со кружна жичена четка (опционален додаток)

⚠ВНИМАНИЕ:

- Проверете ја функционалноста на жичената четка оставајќи го алатот да работи без оптоварување, осигурувајќи дека нема никој пред или во линија со четката.
- Не користете ја жичената четка ако е оштетена или ако е неврамнотежена. Користењето оштетена жичена четка може да го зголеми потенцијалот за повреда од доаѓање во допир со скршени жици од четката.
- СЕКОГАШ користете заштитник со жичаните кружни четки со што одговара на дијаметарот на тркалото. Тркалото може да се распрсне за време на употребата и заштитникот помага во намалување на шансите за телесна повреда.

Слика16

Откачете го алатот од напојување поставете го сврен обратно со тоа добивајќи лесен пристап до вретеното. Извадете ги сите додатоци од вретеното. Ставете ја жичената четка врз вретеното и затегнете со клучевите.

Кога користите жичена кружна четка, избегнувајте да применувате преголем притисок што предизвикува превиткување на жиците и води до прерано кршење.

Работа со тркало за абразивно сечење / дијамантно тркало (опционален прибор)

⚠ПРЕДУПРЕДУВАЊЕ:

- Кога користите тркало за абразивно сечење / дијамантно тркало, внимавајте да го користите само специјалниот заштитник конструиран за тркалата за сечење. (Во европските земји може да се користи и обичниот штитник со дијамантските тркала).
- НИКОГАШ Не користете тркало за сечење за странично брусене.
- Не заглавувајте го тркалото и не притискајте прекумерно. Не обидувајте се да режете многу длабоко. Пренапрегнувањето на тркалото го зголемува оптоварувањето и можноста за извиткување или лепење на тркалото во резот, и со тоа за повратен удар, кршење на тркалото и прегревање на моторот.
- Не почнувајте со сечењето повторно додека тркалото е во материјалот. Оставете го тркалото да достигне максимална брзина и внимателно влезете во засекот движејќи го алатот напред преку површината на материјалот. Тркалото може да осцилира, да излезе или да удри назазад ако алатот се стартува во материјалот.
- За време на сечењето, не менувајте го аголот на тркалото. Ако се притиска странично на тркалото за сечење (при брусене) може да

дојде до пукање или кршење на тркалото, што може да предизвика тешки телесни повреди.

- Со дијаманското тркало треба да се работи вертикално врз материјалот за сечење.

Монтирајте ја внатрешната фланша на вретеното. Наместете го тркалото/дискот на внатрешната фланша и завртете ја завртката на вретеното.

Слика17

За Австралија и Нов Зеланд

Поставување или вадење тркало за абразивно сечење / дијаманско тркало (опционален додаток)

Слика18

ОДРЖУВАЊЕ

⚠ВНИМАНИЕ:

- Пред секоја проверка или одржување, проверете дали алатот е исклучен и откачен од струја.
- За чистење, не користете нафта, бензин, разредувач, алкохол или слично. Тие средства ја вадат бојата и може да предизвикаат деформации или пукнатини.

Слика19

Алатот и отворите за воздух треба да се одржуваат чисти. Редовно чистете ги отворите за воздух на алатот, или секогаш кога ќе се извалкаат.

Замена на јагленските четкички

Слика20

Кога изолираниот врв внатре во карбонската четка е изложен на допир со менувачот, тој автоматски ќе го исклучи моторот. Кога ќе дојде до тоа, двете карбонски четки треба да се заменат. Одржувајте ги четките чисти за да влегуваат во држачите непречено. Двете карбонски четки треба да се заменат истовремено. Користете само идентични карбонски четки.

Слика21

Извадете ги капачињата на држачите на четкичките со одвртка. Извадете ги истрошените јагленски честички, ставете ги новите и стегнете ги капачињата на држачите.

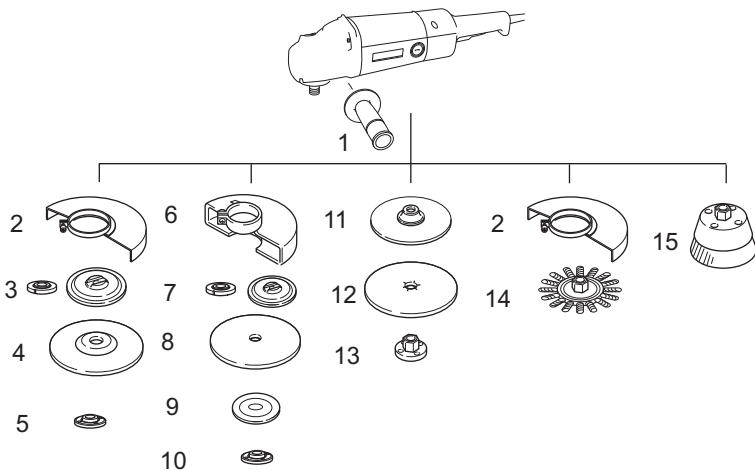
За да се одржи БЕЗБЕДНОСТА и СИГУРНОСТА на производот, поправките, одржувањата или дотерувањата треба да се вршат во овластени сервисни центри на Makita, секогаш со резервни делови од Makita.

ОПЦИОНАЛЕН ПРИБОР

⚠ВНИМАНИЕ:

- Овој прибор или додатоци се препорачуваат за користење со алатот од Makita дефиниран во упатството. Со користење друг прибор или додатоци може да се изложите на ризик од телесни повреди. Користете ги приборот и додатоците само за нивната намена.

Ако ви треба помош за повеќе детали за приборот, прашајте во локалниот сервисен центар на Makita.



1	Странична дршка
2	Заштитник за брусното тркало со вдлабнато средиште / Мулти-диск / Жичена кружна четка
3	Внатрешна фланша / Супер-фланша / Внатрешна фланша 102 (само за Австралија и Нов Зеланд)
4	Брусно тркало со вдлабнато средиште/Мулти-диск
5	Навртка за блокирање / Ezynut*1
6	Штитник за тркало за абразивно сечење / дијамантско тркало*2
7	Внатрешна фланша / Супер-фланша / Внатрешна фланша 78 (само за Австралија и Нов Зеланд)
8	Тркало за абразивно сечење / дијамантско тркало
9	Надворешна фланша 78 (само за Австралија и Нов Зеланд)*3
10	Навртка за блокирање / Ezynut*1
11	Гумена подлошка
12	Абразивен диск
13	Навртка за блокирање на стругањето
14	Жичана увртена четка
15	Испакната жичена четка
—	Клуч за стегање
—	Прикачен капак за прашина

*1 Не користете супер-фланша и Ezynut заедно.

*2 Во европските држави, кога се користи дијамантско тркало, обичниот заштитник може да се користи наместо специјалниот заштитник што ги покрива обете страни на тркалото.

*3 Користете ги внатрешната фланша 78 и надворешната фланша 78 заедно. (само за Австралија и Нов Зеланд)

011513

НАПОМЕНА:

- Некои ставки на листата може да се вклучени со алатот како стандарден прибор. Тоа може да се разликува од земја до земја.

ROMÂNĂ (Instrucțiuni originale)

Explicitarea vederii de ansamblu

1-1. Pârghie de blocare a axului	9-2. Pârghie	17-3. Flanșă interioară
2-1. Carcasa motorului	10-1. Contrapiuliță	17-4. Apărătoare pentru disc abraziv pentru retezat/disc de diamant
2-2. Buton de blocare	10-2. Disc cu centru depresat	18-1. Contrapiuliță
2-3. Mâner	10-3. Flanșă super	18-2. Flanșă exterioară 78
3-1. Levier de blocare	10-4. Flanșă interioară	18-3. Disc abraziv pentru retezat/disc de diamant
3-2. Trăgaciul întrerupătorului	11-1. Contrapiuliță	18-4. Flanșă interioară 78
4-1. Levier de blocare	11-2. Disc cu centru depresat	18-5. Apărătoare pentru disc abraziv pentru retezat/disc de diamant
4-2. Trăgaciul întrerupătorului	11-3. Flanșă interioară	19-1. Fantă de evacuare
5-1. Lampă indicatoare	12-1. Cheie pentru contrapiuliță	19-2. Fantă de aspirație
7-1. Apărătoarea discului	12-2. Pârghie de blocare a axului	20-1. Comutator
7-2. Șurub	13-1. Contrapiuliță	20-2. Vârf izolator
7-3. Lagăr	13-2. Disc abraziv	20-3. Perie de cărbune
8-1. Apărătoarea discului	13-3. Taler de cauciuc	21-1. Capacul suportului pentru perii
8-2. Lagăr	15-1. Perie oală de sârmă	21-2. Șurubelniță
8-3. Piuliță	16-1. Perie de disc din sârmă	
8-4. Pârghie	17-1. Contrapiuliță	
9-1. Piuliță	17-2. Disc abraziv pentru retezat/disc de diamant	

SPECIFICAȚII

Model	GA7020R	GA7030R	GA7040R	GA9020R	GA9030R	GA9040R
Diametrul discului cu centru depresat	180 mm			230 mm		
Grosime maximă disc	6,5 mm	6,5 mm	6,5 mm	6,5 mm	6,5 mm	6,5 mm
Filetul arborelui	M14					
Turație nominală (n) / Turație în gol (n ₀)	8.500(min ⁻¹)			6.600(min ⁻¹)		
Lungime totală	473 mm	503 mm		473 mm	503 mm	
Greutate netă	5,6 kg	6,3 kg	6,6 kg	5,8 kg	6,5 kg	6,9 kg
Clasa de siguranță	□/II					

- Datorită programului nostru continuu de cercetare și dezvoltare, caracteristicile pot fi modificate fără o notificare prealabilă.
- Specificațiile pot varia în funcție de țară.
- Greutatea este specificată conform procedurii EPTA-01/2003

ENE048-1

Destinația de utilizare

Mașina este destinată polizării, șlefuirii și tăierii materialelor de metal și piatră fără utilizarea apei.

ENF002-2

Sursă de alimentare

Unealta trebuie conectată doar la o sursă de alimentare cu aceeași tensiune precum cea indicată pe plăcuța indicatoare a caracteristicilor tehnice și poate fi operată doar de la o sursă de curent alternativ cu o singură fază. Acestea au o izolație dublă și, drept urmare, pot fi utilizate de la prize fără împământare.

ENG905-1

Emisie de zgomot

Nivelul de zgomot normal ponderat A determinat în conformitate cu EN60745:

Nivel de presiune acustică (L_{pA}): 90 dB (A)

Nivel putere sonoră (L_{WA}): 101 dB (A)

Marjă de eroare (K): 3 dB (A)

Purtați mijloace de protecție a auzului

ENG900-1

Vibrații

Valoarea totală a vibrațiilor (suma vectorilor tri-axiali) determinată conform EN60745:

Model GA7020R

Mod de funcționare: polizare suprafață

Nivel de vibrații (a_{h,AG}): 8,0 m/s²

Marjă de eroare (K): 1,5 m/s²

Mod de lucru: șlefuire cu disc

Nivel de vibrații (a_{h,DS}): 3,0 m/s²

Marjă de eroare (K): 1,5 m/s²

Model GA7030R

Mod de funcționare: polizare suprafață

Nivel de vibrații (a_{h,AG}): 6,5 m/s²

Marjă de eroare (K): 1,5 m/s²

Mod de lucru: șlefuire cu disc
 Nivel de vibrații ($a_{h,DS}$): 3,5 m/s²
 Marjă de eroare (K): 1,5 m/s²

Model GA7040R

Mod de funcționare: polizare suprafață
 Nivel de vibrații ($a_{h,AG}$): 7,0 m/s²
 Marjă de eroare (K): 1,5 m/s²

Mod de lucru: șlefuire cu disc
 Nivel de vibrații ($a_{h,DS}$): 3,0 m/s²
 Marjă de eroare (K): 1,5 m/s²

Model GA9020R, GA9040R

Mod de funcționare: polizare suprafață
 Nivel de vibrații ($a_{h,AG}$): 6,0 m/s²
 Marjă de eroare (K): 1,5 m/s²

Mod de funcționare: șlefuire cu disc
 Nivel de vibrații ($a_{h,DS}$): 2,5 m/s² sau mai mic
 Marjă de eroare (K): 1,5 m/s²

Model GA9030R

Mod de funcționare: polizare suprafață
 Nivel de vibrații ($a_{h,AG}$): 5,5 m/s²
 Marjă de eroare (K): 1,5 m/s²

Mod de funcționare: șlefuire cu disc
 Nivel de vibrații ($a_{h,DS}$): 2,5 m/s² sau mai mic
 Marjă de eroare (K): 1,5 m/s²

ENG902-1

- Nivelul de vibrații declarat a fost măsurat în conformitate cu metoda de test standard și poate fi utilizat pentru compararea unei unelte cu alta.
- Nivelul de vibrații declarat poate fi, de asemenea, utilizat într-o evaluare preliminară a expunerii.
- Nivelul de vibrații declarat este utilizat pentru aplicațiile principale ale mașinii electrice. Totuși, dacă mașina electrică este utilizată pentru alte aplicații, valoarea vibrațiilor emise poate fi diferită.

⚠️ AVERTISMENT:

- Nivelul de vibrații în timpul utilizării reale a uneltei electrice poate diferi de valoarea nivelului declarat, în funcție de modul în care unealta este utilizată.
- Asigurați-vă că identificați măsurile de siguranță pentru a proteja operatorul, acestea fiind bazate pe o estimare a expunerii în condiții reale de utilizare (luând în considerare toate părțile ciclului de operare, precum timpii în care unealta a fost oprită, sau a funcționat în gol, pe lângă timpul de declanșare).

Nu mai pentru țările europene

Declarație de conformitate CE

Makita declară că următoarea(ele) mașină(i):

Denumirea mașinii:

Polizor unghiular

Model Nr./ Tip: GA7020R, GA7030R, GA7040R, GA9020R, GA9030R, GA9040R

Este în conformitate cu următoarele directive europene:

2006/42/EC

Sunt fabricate în conformitate cu următorul standard sau documente standardizate:

EN60745

Fișierul tehnic în conformitate cu 2006/42/CE este disponibil de la:

Makita, Jan-Baptist Vinkstraat 2, 3070, Belgia

31.12.2013



000331

Yasushi Fukaya

Director

Makita, Jan-Baptist Vinkstraat 2, 3070, Belgia

GEA010-1

Avertismente generale de siguranță pentru unelte electrice

⚠️ **AVERTIZARE** Citiți toate avertizările de siguranță și toate instrucțiunile. Nerespectarea acestor avertizări și instrucțiuni poate avea ca rezultat electrocutarea, incendiul și/sau rănirea gravă.

Păstrați toate avertismentele și instrucțiunile pentru consultări ulterioare.

GEB033-7

AVERTISMENTE PRIVIND SIGURANȚA PENTRU POLIZOR

Avertismente privind siguranța comune operațiilor de polizare, de șlefuire, pierere sau operațiilor de tăiere abrazivă:

1. Această sculă electrică este destinată să funcționeze ca polizor, șlefuitor, perie de sârmă sau mașină de tăiat. Citiți toate avertismentele privind siguranța, instrucțiunile, ilustrațiile și specificațiile furnizate cu această sculă electrică. Nerespectarea integrală a instrucțiunilor de mai jos poate cauza electrocutări, incendii și/sau vătămări corporale grave.

2. **Nu este recomandată executarea operațiilor cum ar fi lustruirea cu această sculă electrică.** Operațiile pentru care această sculă electrică nu a fost concepută pot fi periculoase și pot provoca vătămări corporale.
3. **Nu folosiți accesorii care nu sunt special concepute și recomandate de producătorul mașinii.** Simplul fapt că accesoriul poate fi atașat la mașina dumneavoastră electrică nu asigură funcționarea în condiții de siguranță.
4. **Viteza nominală a accesoriului trebuie să fie cel puțin egală cu viteza maximă indicată pe mașina electrică.** Accesorii utilizați la o viteză superioară celei nominale se pot sparge și împrăștia.
5. **Diametrul exterior și grosimea accesoriului dumneavoastră trebuie să se înscrie în capacitatea nominală a mașinii dumneavoastră electrice.** Accesoriile incorect dimensionate nu pot fi protejate sau controlate în mod adecvat.
6. **Montarea prin filetare a accesoriilor trebuie să corespundă fusului filetat al polizorului. Pentru accesorii montate prin flanșe, orificiului arborelui accesoriului trebuie să corespundă diametrului de localizare a flanșei.** Accesoriile care nu corespund uneltelor de montare ale mașinii electrice vor duce la dezechilibrări, vibrații excesive și pot cauza pierderea controlului.
7. **Nu folosiți un accesoriu deteriorat. Înaintea fiecărei utilizări inspectați accesoriul cum ar fi discurile abrazive în privința sfărâmăturilor și fisurilor, discurile de fixare în privința fisurilor, ruptură sau uzură excesivă, peria de sârmă în privința lipsei firelor și a firelor plesnite. Dacă scăpați pe jos mașina sau accesoriul, inspectați-le cu privire la deteriorări sau instalați un accesoriu intact. După inspectarea și instalarea unui accesoriu, poziționați-vă împreună cu spectatorii la depărtare de planul accesoriului rotativ și porniți mașina la viteza maximă de mers în gol timp de un minut. Accesoriile deteriorate se vor sparge în mod normal pe durata acestui test.**
8. **Purtați echipamentul individual de protecție. În funcție de aplicație, folosiți o mască de protecție, ochelari de protecție sau vizieră de protecție. Dacă este cazul, purtați o mască de protecție contra prafului, mijloace de protecție a auzului, mănuși și un șorț de lucru capabil să oprească fragmentele mici abrazive sau fragmentele piesei. Mijloacele de protecție a vederii trebuie să fie capabile să oprească resturile proiectate în aer generate la diverse operații. Maska de protecție contra prafului sau masca respiratoare trebuie să fie capabilă să filtreze particulele generate în timpul operației** respective. Expunerea prelungită la zgomot foarte puternic poate provoca pierderea auzului.
9. **Țineți spectatorii la o distanță sigură față de zona de lucru. Orice persoană care pătrunde în zona de lucru trebuie să poarte echipament personal de protecție.** Fragmentele piesei prelucrate sau ale unui accesoriu spart pot fi proiectate în jur cauzând vătămări corporale în zona imediat adiacentă zonei de lucru.
10. **Țineți unealta electrică doar de suprafețele de prindere izolate atunci când efectuați o operațiune în care accesoriul de tăiere poate intra în contact cu fire ascunse sau cu propriul cablu.** Accesoriile de tăiere care intră în contact cu un fir sub tensiune vor pune sub tensiune și componentele metalice expuse ale unelei electrice, existând pericolul ca operatorul să se electrocuteze.
11. **Poziționați cablul la distanță de accesoriul aflat în rotație.** Dacă pierdeți controlul, cablul poate fi tăiat sau agățat și mâna sau brațul dumneavoastră pot fi trase în accesoriul aflat în rotație.
12. **Nu așezați niciodată mașina electrică înaintea de oprire completă a accesoriului.** Accesoriul aflat în rotație ar putea apuca suprafața și trage de mașina electrică fără a o putea controla.
13. **Nu lăsați mașina electrică în funcțiune în timp ce o transportați lângă corpul dumneavoastră.** Contactul accidental cu accesoriul aflat în rotație vă poate agăța îmbrăcămintea, trăgând accesoriul spre corpul dumneavoastră.
14. **Curățați în mod regulat fantele de ventilație ale mașinii electrice.** Ventilatorul motorului va aspira praful în interiorul carcasei, iar acumulările excesive de pulberi metalice pot prezenta pericol de electrocutare.
15. **Nu folosiți mașina electrică în apropierea materialelor inflamabile.** Scânteile pot aprinde aceste materiale.
16. **Nu folosiți accesorii care necesită agenți de răcire lichizi.** Folosirea apei sau a lichidelor de răcire poate cauza electrocutări sau șocuri de tensiune.

Reculul și avertismente aferente

Reculul este o reacție bruscă la înțepenirea sau agățarea unui disc, unui taler suport, unei perii sau unui alt accesoriu aflat în rotație. Înțepenirea sau agățarea provoacă o oprire bruscă a accesoriului aflat în rotație, ceea ce forțează mașina scăpată de sub control în direcția opusă celei de rotire a accesoriului în punctul de contact.

De exemplu, dacă un disc abraziv se înțepenește sau se agață în piesa de prelucrat, muchia discului care pătrunde în punctul de blocare poate "mușca" din suprafața materialului cauzând urcarea sau proiectarea înapoi a discului. Discul poate sări sau nu către utilizator, în funcție de direcția de mișcare a discului în punctul de

blocare. De asemenea, discurile abrazive se pot rupe în aceste condiții.

Reculul este rezultatul utilizării incorecte a mașinii electrice și/sau al procedeeilor sau condițiilor de lucru necorespunzătoare, putând fi evitat prin adoptarea unor măsuri de precauție adecvate prezentate în continuare.

a) **Mențineți o priză fermă pe mașina electrică și poziționați-vă corpul și brațele astfel încât să contracrați forțele de recul. Folosiți întotdeauna mânerul auxiliar, dacă există, pentru a contracara în mod optim reculurile sau momentul de torsiune reactiv din faza de pornire.** Utilizatorul poate contracara momentele de torsiune reactive sau forțele de recul, dacă își ia măsuri de precauție adecvate.

b) **Nu vă poziționați niciodată mâna în apropiere a accesoriului aflat în rotație.** Accesoriul poate recula peste mâna dumneavoastră.

c) **Nu vă poziționați corpul în zona în care se va deplasa mașina electrică în cazul unui recul.** Reculul va propulsa mașina în direcția opusă celei de mișcare a discului în punctul de blocare.

d) **Procedați cu deosebită atenție atunci când prelucrați colțuri, muchii ascuțite etc. Evitați izbuzirile și salturile accesoriului.** Colțurile, muchiile ascuțite sau salturile au tendința de a agăța accesoriul aflat în rotație și conduc la pierderea controlului sau apariția reculului.

e) **Nu atășați o lamă de ferăstrău cu lanț pentru scobirea lemnului sau o lamă de ferăstrău dințată.** Astfel de lame pot crea reculuri frecvente și pierderea controlului.

Avertismente privind siguranța comună operațiunilor de polizare și tăiere abrazivă:

a) **Utilizați numai tipurile de discuri care sunt recomandate pentru scula dumneavoastră electrică și apărătoarele specifice proiectate pentru discul selectat.** Discurile pentru care scula electrică nu a fost proiectată nu pot fi protejate adecvat și sunt nesigure.

b) **Suprafața de polizare a discurilor apăsată în centru trebuie să fie montată sub planul marginii apărătoarei.** Un disc montat necorespunzător care iese prin planul marginii apărătoarei nu poate fi protejat în mod adecvat.

c) **Apărătoarea trebuie atașată ferm la mașina electrică și poziționată pentru siguranță maximă, astfel încât o porțiune cât mai mică a discului să fie expusă în direcția operatorului.** Apărătoarea ajută la protejarea operatorului de fragmentele discului spart, de contactul accidental cu discul și de scânteii care ar putea aprinde îmbrăcămintea.

d) **Discurile trebuie utilizate numai pentru aplicațiile recomandate. De exemplu: nu polizați cu fața laterală a discului abraziv de retezat.** Discurile abrazive de retezat sunt

concepute pentru polizarea periferică, iar aplicarea unor forțe laterale asupra acestor discuri poate provoca spargerea lor.

e) **Folosiți întotdeauna flanșe de disc intacte, cu dimensiuni și formă adecvate pentru discul folosit.** Flanșele de disc adecvate fixează discul reducând astfel posibilitatea de rupere a acestuia. Flanșele pentru discuri abrazive de retezat pot fi diferite de flanșele pentru discuri de polizat.

f) **Nu utilizați discuri uzate de a mașini electrice mai mari.** Discurile destinate unor mașini electrice mai mari nu sunt adecvate pentru viteza mai ridicată a mașinii mai mici și pot exploda.

Avertismente suplimentare specifice privind siguranța operațiunilor de retezare abrazivă:

a) **Nu „blocați” discul de retezare și nici nu aplicați o presiune excesivă. Nu încercați să executați o adâncime excesivă a tăieturii.** Supratensionarea discului mărește sarcina și susceptibilitatea de a torsiona sau a de a înțepeni discul în tăietură și posibilitatea de recul sau de spargere a discului.

b) **Nu vă poziționați cu corpul în linie cu și în spatele discului care se rotește.** Atunci când discul, la punctul de operare, se mișcă departe de corpul dumneavoastră, reculul posibil poate împinge discul care se învârtește și scula electrică direct spre dumneavoastră.

c) **Atunci când discul este înțepenit sau când este întreruptă o tăiere din orice motiv, opriți scula electrică și țineți-o nemișcată până când discul se oprește complet. Nu încercați niciodată să scoateți discul de retezare din tăietură în timp ce discul este în mișcare altfel poate apărea reculul.** Investigați și efectuați acțiunile corective pentru a elimina cauza înțepenirii discului.

d) **Nu reporniți operația de tăiere în piesa de prelucrat. Lăsați discul să ajungă la viteza maximă și pătrundeți din nou cu atenție în tăietură.** Discul poate înțepeni, se poate deplasa în sus sau poate provoca un recul dacă mașina electrică este repornită în piesa de lucru.

e) **Sprrijiniți panourile sau orice piesă de prelucrat de dimensiuni mari pentru a minimiza riscul de ciupire și recul al discului.** Piese de prelucrat mari tind să se încovoieze sub propria greutate. Sub piesa de prelucrat trebuie amplasate suporturi pe ambele laturi, lângă linia de tăiere și lângă marginea piesei de prelucrat pe ambele părți ale discului.

f) **Aveți deosebită grijă atunci când executați o „decupare prin plonjare” în pereții existenți sau în alte zone mascate.** Discul poate tăia conducte de gaz sau de apă, cabluri electrice sau obiecte care pot provoca un recul.

Avertismente specifice privind siguranța operațiunilor de șlefuire:

a) Nu utilizați disc de șlefuire din șmirghel supradimensionat excesiv. Respectați recomandările producătorilor, atunci când selectați hârtia pentru șlefuit. Hârtia de șlefuit prea mare extinsă în afara plăcii de șlefuire prezintă pericolul de sfâșiere și poate cauza înțepenirea, sfâșierea discului sau reculul.

Avertismente specifice privind siguranța operațiunilor de periere:

a) Fiți atent că firele de sârmă sunt aruncate de perie chiar și în timpul unei operațiuni obișnuite. Nu supratensionați firele prin aplicarea unei sarcini excesive periei. Firele de sârmă pot penetra ușor îmbrăcămintea subțire sau pielea.

b) Dacă utilizarea unei apărători este recomandată pentru periere, nu permiteți contactul discului de sârmă sau periei cu apărătoarea. Discul de sârmă sau peria pot crește în diametru datorită sarcinii de lucru sau forțelor centrifuge.

Avertizări suplimentare de siguranță:

17. Atunci când folosiți discuri cu centru adâncit, asigurați-vă că folosiți numai discuri armate cu fibră de sticlă.
18. **NU UTILIZAȚI NICIODATĂ discuri abrazive în formă de oală cu această mașină de rectificat.** Această mașină de rectificat nu este concepută pentru aceste tipuri de discuri, iar utilizarea unui astfel de produs poate duce la accidentări grave.
19. Fiți atenți să nu deteriorați arborele, flansa (în special suprafața de montaj) sau contrapiulița. Deteriorarea acestor piese poate conduce la ruperea discului.
20. Asigurați-vă că discul nu intră în contact cu piesa de prelucrat înainte de a conecta comutatorul.
21. Înainte de utilizarea mașinii pe piesa propriu-zisă, lăsați-o să funcționeze în gol pentru un timp. Încercați să identificați orice vibrație sau oscilație care ar putea indica o instalare inadecvată sau un disc neechilibrat.
22. Folosiți fața specificată a discului pentru a executa polizarea.
23. Nu lăsați mașina în funcțiune. Folosiți mașina numai când o țineți cu mâinile.
24. Nu atingeți piesa prelucrată imediat după executarea lucrării; aceasta poate fi extrem de fierbinte și poate provoca arsuri ale pielii.
25. Respectați instrucțiunile producătorului cu privire la montarea și utilizarea corectă a discurilor. Manipulați și depozitați cu atenție discurile.
26. Nu folosiți reducții cu mufă sau adaptoare separate pentru a adapta discuri abrazive cu gaură mare.

27. Folosiți numai flanșele specificate pentru această mașină.
28. Pentru mașinile destinate a fi echipate cu disc cu gaură filetată, asigurați-vă că filetul discului este suficient de lung pentru lungimea arborelui.
29. Verificați ca piesa de prelucrat să fie sprijinită corect.
30. Rețineți că discul continuă să se rotească după oprirea mașinii.
31. Dacă locul de muncă este extrem de călduros și umed, sau foarte poluat cu pulbere conductoare, folosiți un întrerupător de scurtcircuitare (30 mA) pentru a asigura protecția utilizatorului.
32. Nu folosiți mașina pe materiale care conțin azbest.
33. Când folosiți discuri de rețezat, lucrați întotdeauna cu apărătoarea colectoare de praf a discului, impusă de reglementările naționale.
34. Discurile de rețezat nu trebuie supuse nici unei presiuni laterale.

PĂSTRAȚI ACESTE INSTRUCȚIUNI.

⚠️ AVERTISMENT:

NU permiteți comodității și familiarizării cu produsul (obținute prin utilizare repetată) să înlocuiască respectarea strictă a normelor de securitate pentru acest produs. FOLOSIREA INCORECTĂ sau nerespectarea normelor de securitate din acest manual de instrucțiuni poate provoca vătămări corporale grave.

DESCRIERE FUNCȚIONALĂ

⚠ATENȚIE:

- Asigurați-vă că ați oprit mașina și că ați debransat-o de la rețea înainte de a o regla sau de a verifica starea sa de funcționare.

Pârghie de blocare a axului

⚠ATENȚIE:

- Nu acționați niciodată pârghia de blocare a axului în timpul mișcării arborelui. Mașina poate fi avariată.

Fig.1

Apăsați pârghia de blocare a axului pentru a preveni rotirea arborelui atunci când montați sau demontați accesoriile.

Pozițiile de montare a mânerului comutator (Pentru modelele GA7030R, GA7040R, GA9030R și GA9040R)

Fig.2

Mânerul comutator poate fi rotit cu câte 90° spre stânga sau spre dreapta, după necesități. Mai întâi, deconectați mașina. Apăsați butonul de blocare și rotiți mânerul comutator complet spre stânga sau spre dreapta. Mânerul comutator va fi blocat în poziția respectivă.

⚠ATENȚIE:

- Asigurați-vă întotdeauna că mânerul comutator este blocat în poziția dorită înainte de utilizare.

Acționarea întrerupătorului

⚠ATENȚIE:

- Înainte de a branșa mașina la rețea, verificați dacă trăgaciul întrerupătorului funcționează corect și dacă revine la poziția "OFF" (oprit) atunci când este eliberat.

Fig.3

Pentru mașinile cu buton de blocare

Pentru a porni mașina, apăsați pur și simplu butonul declanșator (în direcția B). Eliberați butonul declanșator pentru a opri mașina. Pentru operare continuă, apăsați butonul declanșator (în direcția B) și apoi apăsați pârghia de blocare (în direcția A). Pentru a opri mașina din poziția blocată, apăsați complet butonul declanșator (în direcția B) și apoi eliberați-l.

Pentru mașinile cu buton de blocare și buton de deblocare

Fig.4

Pentru a preveni tragerea accidentală a butonului declanșator, este prevăzută o pârghie de blocare. Pentru a porni mașina, apăsați pârghia de blocare (în direcția A) și apoi trageți butonul declanșator (în direcția B). Eliberați butonul declanșator pentru a opri mașina.

Pentru operare continuă, apăsați pârghia de blocare (în direcția A), trageți butonul declanșator (în direcția B) și apoi trageți pârghia de blocare (în direcția C). Pentru a opri mașina din poziția blocată, trageți complet butonul declanșator (în direcția B) și apoi eliberați-l.

Lampă indicatoare

Fig.5

Lampa indicatoare este aprinsă verde atunci când scula este conectată. Dacă lampa indicatoare nu se aprinde, cablul de alimentare sau controlerul ar putea fi defecte. Dacă lampa indicatoare este aprinsă, dar scula nu pornește chiar dacă este pornită, periile de carbune ar putea fi consumate sau controlerul, motorul sau comutatorul PORNIT/OPRIT ar putea fi defecte.

Protecția împotriva repornirii accidentale

Chiar dacă pârghia de blocare menține butonul declanșator apăsat (blocat în poziție), aceasta nu permite sculei să repornească chiar dacă aceasta este conectată.

În acest timp, lampa indicatoare luminează intermitent în roșu și arată că dispozitivul de protecție împotriva repornirii accidentale este în funcțiune.

Pentru a anula protecția împotriva repornirii accidentale, trageți complet pârghia de blocare, apoi eliberați-o.

Funcție de pornire lină

Când sunt pornite, aceste modele încep să opereze la un ritm redus. Această funcție de pornire lentă asigură o operare mult mai fiabilă.

MONTARE

⚠ATENȚIE:

- Asigurați-vă că ați oprit mașina și că ați deconectat-o de la rețea înainte de a efectua vreo intervenție asupra mașinii.

Instalarea mânerului lateral (mâner)

⚠ATENȚIE:

- Asigurați-vă că mânerul lateral este bine montat înainte de a pune mașina în funcțiune.

Fig.6

Înșurubați ferm mânerul lateral la mașină în poziția prezentată în figură.

Instalarea sau demontarea apărătoarei pentru disc (Pentru disc cu centru depresat, disc multiplu, perie de disc din sârmă/disc abraziv pentru retezat, disc de diamant)

⚠AVERTISMENT:

- Atunci când utilizați un disc abraziv cu centru depresat/disc multiplu, un disc flexibil sau o perie de disc din sârmă, apărătoarea discului trebuie montată pe mașină astfel încât partea închisă a apărătoarei să fie întotdeauna orientată către operator.

- Atunci când utilizați un disc abraziv pentru retezare / disc de diamant, asigurați-vă că utilizați doar apărătoarele pentru disc proiectate pentru a fi utilizate împreună cu discuri abrazive pentru retezare. (În țări europene, la utilizarea unui disc de diamant, poate fi utilizată o apărătoare obișnuită).

Pentru mașinile cu apărătoare de disc cu șurub de blocare

Fig.7

Montați apărătoarea discului cu proeminența de pe banda de protecție a discului aliniată cu canelura de pe cutia lagărului. Apoi rotiți apărătoarea discului în așa fel încât să protejeze operatorul în timpul lucrului. Strângeți bine șurubul.

Pentru a demonta apărătoarea discului, executați în ordine inversă operațiile de montare.

Pentru mașinile cu apărătoare de disc cu pârghie de strângere

Fig.8

Fig.9

Slăbiți pârghia de pe apărătoarea discului. Montați apărătoarea discului cu protuberanța de pe brățara apărătoarei discului aliniată cu canelura de pe lagăr. Apoi rotiți apărătoarea discului până în poziția prezentată în figură. Strângeți pârghia pentru a fixa apărătoarea discului. Dacă pârghia este prea strânsă sau prea slăbită pentru a fixa apărătoarea discului, slăbiți sau strângeți piulița pentru a regla tensionarea brățării apărătoarei discului.

Pentru a demonta apărătoarea discului, executați în ordine inversă operațiile de montare.

Montarea sau demontarea discului abraziv cu centru depresat/discului multiplu (accesoriu)

⚠️AVERTISMENT:

- Folosiți întotdeauna apărătoarea livrată atunci când pe mașină este montat un disc abraziv cu centru depresat/disc multiplu. Discul se poate sparge în timpul utilizării, iar apărătoarea ajută la reducerea riscului de vătămare.

Fig.10

Montați flanșa interioară pe arbore. Instalați discul pe flanșa interioară și înșurubați contrapiulița pe arbore.

Flanșă super

Modelele cu litera F sunt dotate standard cu o flanșă super. În comparație cu tipul uzual, este necesar doar 1/3 din efort pentru a desface contrapiulița.

Pentru Australia și Noua Zeelandă

Fig.11

Montați flanșa interioară pe arbore. Instalați discul pe flanșa interioară și înșurubați contrapiulița cu protuberanța orientată în jos (îndreptată către disc).

Fig.12

Pentru a strânge contrapiulița, apăsați puternic pârghia de blocare a axului astfel încât arborele să nu se poată roti, apoi folosiți cheia pentru contrapiulița și strângeți ferm în sens orar.

Pentru a demonta discul, executați în ordine inversă operațiile de montare.

Montarea sau demontarea discului abraziv (accesoriu opțional)

NOTĂ:

- Folosiți accesoriile pentru șlefuitor specificate în acest manual. Acestea trebuie achiziționate separat.

Fig.13

Montați talerul de cauciuc pe arbore. Instalați discul pe talerul de cauciuc și înșurubați contrapiulița pe arbore. Pentru a strânge contrapiulița, apăsați puternic pârghia de blocare a axului astfel încât arborele să nu se poată roti, apoi folosiți cheia pentru contrapiulița și strângeți ferm în sens orar.

Pentru a demonta discul, executați în ordine inversă operațiile de instalare.

FUNȚIONARE

⚠️AVERTISMENT:

- Nu este niciodată necesară forțarea mașinii. Greutatea mașinii exercită o presiune adecvată. Forțarea și exercitarea unei presiuni excesive pot provoca ruperea periculoasă a discului.
- Înlocuiți ÎNTOTDEAUNA discul dacă scăpați mașina pe jos în timpul rectificării.
- Nu loviți NICIODATĂ discul abraziv de piesa prelucrată.
- Evitați izbiturile și salturile discului, în special când prelucrați colțuri, muchii ascuțite etc. Acestea pot provoca pierderea controlului și reculului.
- Nu folosiți NICIODATĂ mașina cu pânze de tăiat lemn sau alte pânze de ferăstrău. Astfel de pânze reculează frecvent când sunt folosite cu un polizor și provoacă pierderea controlului cauzând vătămări corporale.

⚠️ATENȚIE:

- Nu porniți niciodată mașina atunci când aceasta se află în contact cu piesa de prelucrat, deoarece poate vătăma operatorul.
- Purtați întotdeauna ochelari de protecție și o mască de protecție în timpul lucrului.
- După terminarea operației, opriți întotdeauna mașina și așteptați ca discul să se oprească complet înainte de a așeza mașina.

Operația de rectificare și șlefuire

Fig.14

Țineți ÎNTOTDEAUNA mașina ferm cu o mână de mânerul posterior și cu cealaltă de mânerul lateral. Porniți mașina și apoi aplicați discul pe piesa de prelucrat.

În principiu, mențineți muchia discului la un unghi de circa 15 grade față de suprafața piesei de prelucrat.

Pe durata perioadei de rodare a unui disc nou, nu prelucrați cu polizorul în direcția B deoarece acesta va tăia în piesa de prelucrat. După ce muchia discului a fost rotunjită prin utilizare, se poate prelucra cu discul în ambele direcții A și B.

Operare cu peria oală de sârmă (Accesoriu opțional)

⚠ATENȚIE:

- Verificați operarea periei prin rotirea unei fără sarcină, asigurându-vă că nu se află nimeni în fața sau în linie cu peria.
- Nu utilizați o perie care este deteriorată, sau neechilibrată. Utilizarea unei perii deteriorate poate crește potențialul de accidentare prin contact cu sârmele periei deteriorate.

Fig.15

Deconectați unealta și amplasați-o în poziție inversă pentru a permite accesul ușor la arbore. Îndepărtați orice accesorii de pe arbore. Montați peria oală de sârmă pe arbore și strângeți cu cheia furnizată. La utilizarea periei, evitați aplicarea unei presiuni prea mari care ar putea duce la îndoirea firelor, ducând la defectare prematură.

Operare cu peria de disc din sârmă (Accesoriu opțional)

⚠ATENȚIE:

- Verificați operarea periei de disc din sârmă prin rotirea unei fără sarcină, asigurându-vă că nu se află nimeni în fața sau în linie cu peria de disc din sârmă.
- Nu utilizați o perie de disc din sârmă care este deteriorată, sau neechilibrată. Utilizarea unei perii de disc din sârmă deteriorate poate crește potențialul de accidentare prin contact cu sârmele deteriorate.
- Protejați-vă ÎNTOTDEAUNA față de periile de disc din sârmă, asigurându-vă că diametrul discului se încadrează în interiorul apărătoarei. Discul se poate sparge în timpul utilizării, iar apărătoarea ajută la reducerea riscului de vătămare.

Fig.16

Deconectați unealta și amplasați-o în poziție inversă pentru a permite accesul ușor la arbore. Îndepărtați orice accesorii de pe arbore. Înfășurați peria de disc din sârmă pe arbore și strângeți cu cheia furnizată.

La utilizarea periei de disc din sârmă, evitați aplicarea unei presiuni prea mari care ar putea duce la îndoirea firelor, ducând la defectare prematură.

Operarea cu disc de retezare abraziv/disc de diamant (accesoriu opțional)

⚠AVERTISMENT:

- Atunci când utilizați un disc abraziv pentru retezare / disc de diamant, asigurați-vă că utilizați doar apărătoarele pentru disc proiectate pentru a fi utilizate împreună cu discuri abrazive pentru retezare. (În țări europene, la utilizarea unui disc de diamant, poate fi utilizată o apărătoare obișnuită).
- NU utilizați niciodată discul pentru retezat la polizarea laterală.
- Nu „înțepeniți” discul și nici nu aplicați o presiune excesivă. Nu încercați să executați o adâncime utilizate spre înaintea pe suprafața piesei de prelucrat. Discul poate înțepeni, de poate deplasa în sus sau provoca recul, dacă scula electrică este repornită în piesa de prelucrat.
- În timpul operațiilor de retezare, nu schimbați niciodată unghiul discului. Aplicarea unei presiuni laterale asupra discului de retezare (ca la polizare) va cauza fisurarea și spargerea discului, producând rănirea personală gravă.
- Discul de diamant va fi operat perpendicular cu materialul de tăiat.

Montați flanșa interioară pe arbore. Instalați discul pe flanșa interioară și înșurubați contrapiulița pe arbore.

Fig.17

Pentru Australia și Noua Zeelandă

Montarea sau demontarea discului de retezare abraziv/disc de diamant (accesoriu opțional)

Fig.18

ÎNȚREȚINERE

⚠ATENȚIE:

- Asigurați-vă că ați oprit mașina și că ați debransat-o de la rețea înainte de a efectua operațiunile de verificare sau întreținere.
- Nu utilizați niciodată gazolină, benzină, diluant, alcool sau alte substanțe asemănătoare. În caz contrar, pot rezulta decolorări, deformări sau fisuri.

Fig.19

Mașina și fantele sale de ventilație trebuie păstrate curate. Curățați fantele de ventilație ale mașinii în mod regulat sau ori de câte ori devin îmbăcșite.

Înlocuirea periiilor de carbon**Fig.20**

Atunci când vârful izolator de rășină din interiorul periei de cărbune este expus și intră în contact cu comutatorul, acesta va opri automat motorul. În acest caz, trebuie să înlocuiți ambele perii de cărbune. Păstrați periiile de cărbune curate și libere pentru a aluneca în suporturi. Ambele perii de cărbune trebuie înlocuite concomitent. Folosiți numai perii de cărbune identice.

Fig.21

Folosiți o șurubelniță pentru a îndepărta capacul suportului periiilor de carbon. Scoateți periiile de carbon uzate și fixați capacul pentru periiile de carbon.

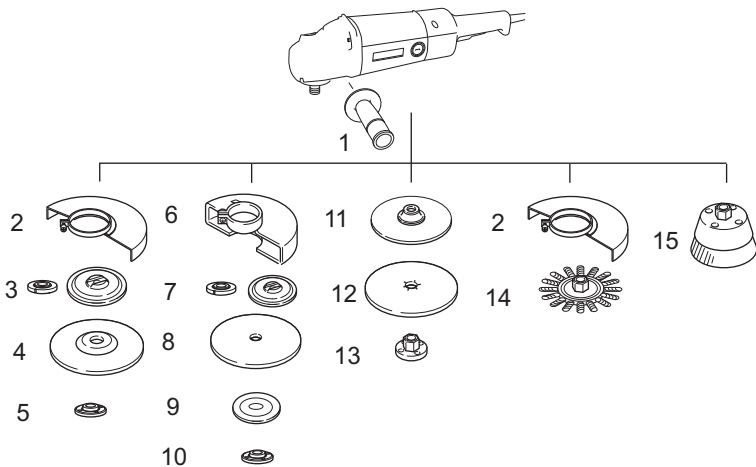
Pentru a menține siguranța și fiabilitatea mașinii, reparațiile și reglajele trebuie să fie efectuate numai la Centrele de service autorizat Makita, folosindu-se piese de schimb Makita.

ACCESORII OPȚIONALE

⚠ATENȚIE:

- Folosiți accesoriile sau piesele auxiliare recomandate pentru mașina dumneavoastră în acest manual. Utilizarea oricăror alte accesorii sau piese auxiliare poate cauza vătămări. Folosiți accesoriile pentru operațiunea pentru care au fost concepute.

Dacă aveți nevoie de asistență sau de mai multe detalii referitoare la aceste accesorii, adresați-vă centrului local de service Makita.



1	Mâner lateral
2	Apărătoare de disc pentru discul cu centru depresat / disc multiplu / Perie de disc din sârmă
3	Flanșă interioară / Supra flanșă / Flanșă interioară 102 (Doar Australia și Noua Zeelandă)
4	Disc abraziv cu centru depresat/disc multiplu
5	Contrapiuliță / Ezynut*1
6	Apărătoare pentru disc abraziv pentru retezat / Disc de diamant*2
7	Flanșă interioară / Supra flanșă / Flanșă interioară 78 (Doar Australia și Noua Zeelandă)
8	Disc abraziv pentru retezat / Disc de diamant
9	Flanșă exterioară 78 (Doar Australia și Noua Zeelandă)*3
10	Contrapiuliță / Ezynut*1
11	Taler de cauciuc
12	Disc abraziv
13	Contrapiuliță de presare
14	Perie de disc din sârmă
15	Perie oală de sârmă
—	Cheie pentru contrapiuliță
—	Capac accesoriu de protecție contra prafului

*1 Nu utilizați supraflanșa și Ezynut împreună.

*2 În țări europene, la utilizarea unui disc de diamant, poate fi utilizată o apărătoare obișnuită poate fi utilizată în locul apărătorii speciale acoperind ambele părți ale discului.

*3 Utilizați flanșa interioară 78 și flanșa exterioară 78 împreună. (Doar Australia și Noua Zeelandă)

011513

NOTĂ:

- Unele articole din listă pot fi incluse ca accesorii standard în ambalajul de scule. Acestea pot diferi în funcție de țară.

Опште објашњење

1-1. Блокада вретена	9-2. Полуга	17-3. Унутрашња прирубница
2-1. Кућиште мотора	10-1. Сигурносни навртањ	17-4. Штитник плоче за брусну плочу за одсецање/дијамантску плочу
2-2. Дугме за закључавање	10-2. Коленаста брусна плоча	18-1. Сигурносни навртањ
2-3. Ручка	10-3. Надприрубница	18-2. Спољна прирубница 78
3-1. Полуга за закључавање	10-4. Унутрашња прирубница	18-3. Брусна плоча за одсецање/дијамантска плоча
3-2. Окидни прекидач	11-1. Сигурносни навртањ	18-4. Унутрашња прирубница 78
4-1. Полуга за закључавање	11-2. Коленаста брусна плоча	18-5. Штитник плоче за брусну плочу за одсецање/дијамантску плочу
4-2. Окидни прекидач	11-3. Унутрашња прирубница	19-1. Издувни отвор
5-1. Индикаторска лампица	12-1. Кључ за сигурносни навртањ	19-2. Усисни отвор
7-1. Штитник плоче	12-2. Блокада вретена	20-1. Комутатор
7-2. Завртањ	13-1. Сигурносни навртањ	20-2. Савет за изолацију
7-3. Кућиште лежаја	13-2. Брусни диск	20-3. Карбонска четка
8-1. Штитник плоче	13-3. Гумени подметач	21-1. Поклопац држача четкице
8-2. Кућиште лежаја	15-1. Жичана четка у облику купе	21-2. Одвијач
8-3. Навртањ	16-1. Жичана кружна четка	
8-4. Полуга	17-1. Сигурносни навртањ	
9-1. Навртањ	17-2. Брусна плоча за одсецање/дијамантска плоча	

ТЕХНИЧКИ ПОДАЦИ

Модел	GA7020R	GA7030R	GA7040R	GA9020R	GA9030R	GA9040R
Пречник коленасте брусне плоче	180 мм			230 мм		
Макс. дебљина плоче	6,5 мм	6,5 мм	6,5 мм	6,5 мм	6,5 мм	6,5 мм
Навој вретена	M14					
Номинална брзина (n) / Брзина без оптерећења (n ₀)	8.500(мин ⁻¹)			6.600(мин ⁻¹)		
Укупна дужина	473 мм	503 мм		473 мм	503 мм	
Нето тежина	5,6 кг	6,3 кг	6,6 кг	5,8 кг	6,5 кг	6,9 кг
Заштитна класа	□/Л					

- На основу нашег непрестаног истраживања и развоја задржавамо право измена горе наведених података без претходне најаве.
- Технички подаци могу да се разликују у различитим земљама.
- Тежина према процедури ЕПТА 01/2003

ENE048-1

ENG900-1

Намена

Овај алат је намењен за брушење, полирање и резање метала и камена без употребе воде.

ENF002-2

Мрежно напајање

Алат сме да се прикључи само на монофазни извор мрежног напона који одговара подацима са натписне плочице. Алати су двоструко заштитно изоловани и зато могу да се прикључе и на мрежне утичнице без уземљења.

ENG905-1

Бука

Типичан ниво буке по оцени А одређен је према EN60745:

Ниво звучног притиска (L_{рА}): 90 dB (A)
 Ниво јачине звука (L_{wА}): 101 dB (A)
 Тolerанција (K): 3 dB (A)

Носите заштиту за слух

Вибрације

Укупна вредност вибрација (векторска сума у три правца) одређена је према EN60745:

Модел GA7020R

Режим рада: брушење површине
 Емисиона вредност вибрација (a_{h,AG}): 8,0 m/c²
 Тolerанција (K): 1,5 m/c²

Режим рада: шмирглање диском
 Емисиона вредност вибрација (a_{h,DS}): 3,0 m/c²
 Тolerанција (K): 1,5 m/c²

Модел GA7030R

Режим рада: брушење површине
 Емисиона вредност вибрација (a_{h,AG}): 6,5 m/c²
 Тolerанција (K): 1,5 m/c²

Режим рада: шмирглање диском
Емисиона вредност вибрација ($a_{h,DS}$): 3,5 м/с²
Толеранција (К): 1,5 м/с²

Модел GA7040R

Режим рада: брушење површине
Емисиона вредност вибрација ($a_{h,AG}$): 7,0 м/с²
Толеранција (К): 1,5 м/с²

Режим рада: шмирглање диском
Емисиона вредност вибрација ($a_{h,DS}$): 3,0 м/с²
Толеранција (К): 1,5 м/с²

Модел GA9020R, GA9040R

Режим рада: брушење површине
Емисиона вредност вибрација ($a_{h,AG}$): 6,0 м/с²
Толеранција (К): 1,5 м/с²

Режим рада: шмирглање диском
Емисиона вредност вибрација ($a_{h,DS}$): 2,5 м/с²
или мање
Толеранција (К): 1,5 м/с²

Модел GA9030R

Режим рада: брушење површине
Емисиона вредност вибрација ($a_{h,AG}$): 5,5 м/с²
Толеранција (К): 1,5 м/с²

Режим рада: шмирглање диском
Емисиона вредност вибрација ($a_{h,DS}$): 2,5 м/с²
или мање
Толеранција (К): 1,5 м/с²

ENG902-1

- Декларисана емисиона вредност вибрација је измерена према стандардизованом мерном поступку и може се користити за упоређивање алата.
- Декларисана емисиона вредност вибрација се такође може користити за прелиминарну процену изложености.
- Декларисана емисиона вредност вибрација важи за главне примене алата. Међутим, ако се алат користи за друге примене, емисиона вредност вибрација се може разликовати.

⚠ УПОЗОРЕЊЕ:

- Емисиона вредност вибрација током реалне примене електричног алата може се разликовати од декларисане емисионе вредности што зависи од начина на који се користи алат.
- Уверите се да сте идентификовали безбедносне мере за заштиту руковаоца које су засноване на процени изложености у реалним условима употребе (као и у свим деловима радног циклуса као што је време рада уређаја, али и време када је алат искључен и када ради у празном ходу).

Само за европске земље

ЕЗ Декларација о усклађености

Makita изјављује за следећу(е) машину(е):

Ознака машине:

Угаона бруслица

Број модела/ Тип: GA7020R, GA7030R, GA7040R, GA9020R, GA9030R, GA9040R

Усклађена са следећим европским смерницама:

2006/42/E3

Да је произведена у складу са следећим стандардом или стандардизованим документима:

EN60745

Техничка датотека у складу са 2006/42/E3 доступна је на:

Makita, Jan-Baptist Vinkstraat 2, 3070, Белгија

31.12.2013



000331

Yasushi Fukaya

Директор

Makita, Jan-Baptist Vinkstraat 2, 3070, Белгија

GEA010-1

Општа безбедносна упозорења за електричне алате

⚠ **УПОЗОРЕЊЕ** Прочитајте сва безбедносна упозорења и упутства. Непоштовање доле наведених упозорења и упутстава може изазвати електрични удар, пожар и/или озбиљну повреду.

Сачувајте сва упозорења и упутства за будуће потребе.

GEB033-7

БЕЗБЕДНОСНА УПОЗОРЕЊА ЗА БРУШЕЊЕ

Безбедносна упозорења која се односе на брушење, полирање, четкање жичаном четком или абразивно одсецање:

1. Овај електрични алат је предвиђен да функционише као алат за брушење, глачање, четкање и одсецање. Прочитајте сва безбедносна упозорења, упутства, илустрације и спецификације које су испоручене уз овај електрични алат. Непоштовање свих доле наведених безбедносних упутстава може изазвати електрични удар, пожар и/или озбиљну повреду.
2. Овај алат се не препоручује за обављање радова као што је полирање. Обављање радова за које електрични алат није намењен

- може изазвати опасности и телесне повреде.
3. **Не користите прибор који није специјалан пројектован и препоручен од стране произвођача алата.** Ако неки прибор може да се прикључи на ваш електрични алат, то не значи да осигурава безбедан рад.
 4. **Номинална брзина прибора мора да буде најмање једнака максималној брзини означеној на електричном алату.** Прибори који се крећу брже од њихове номиналне брзине могу да се поломе и разлете у комадићима.
 5. **Спољни пречник и дебљина прибора морају да одговарају номиналном капацитету вашег електричног алата.** Неправилно димензионисани прибори не могу се адекватно заштитити или контролисати.
 6. **Монтирање прибора са навојем мора да се поклапа са навојем вретена бруснице. За прибор монтиран помоћу прирубница, прикључни отвор додатног прибора мора да одговара пречнику површине прирубнице.** Додатни прибор који не одговара монтажном делу електричног алата биће избачени из равнотеже, јако ће вибрирати и могу да доведу до губитка контроле.
 7. **Не користите оштећени додатни прибор.** Пре сваке употребе преконтролишите додатни прибор, на пример, брусне плоче на листање и напрслине, подметаче на напрслине, хабање или претерано трошење, жичану четку на лабаве или напрсле чекиње. Ако електрични алат или прибор падну, проверите да ли су оштећени или инсталирајте неоштећени прибор. Пошто преконтролишете и инсталирате прибор, присутни посматрачи и ви сами треба да се склоните од равни ротирајућег прибора, а електрични алат прво пустите да ради са максималном брзином празног хода око један минут. Оштећени прибор би се обично поломио током овог времена тестирања.
 8. **Носите заштитну опрему. У зависности од примене, користите штитник за лице, заштитну маску или заштитне наочаре. Ако је потребно, носите маску за заштиту од прашине, штитнике за слух, рукавице и радну кецељу која може да заустави мале абразивне честице или делиће предмета обраде.** Заштита за очи мора да буде у стању да заустави летеће опилке који се стварају при разним операцијама. Маска за прашину или респиратор морају да буду у стању да филтрирају честице које се стварају док радите. Дуже излагање високом нивоу буке може довести до губитка слуха.
 9. **Удаљите посматраче на безбедну удаљеност од радног подручја. Свако ко улази у радно подручје мора да носи личну заштитну опрему.** Делићи предмета обраде или поломљеног прибора могу се одбацити и изазвати повреду и изван непосредног радног подручја.
 10. **Електрични алат држите искључиво за изоловане руковате када обављате радове при којима постоји могућност да резни прибор додирне скривене водове или пресеке сопствени кабл.** Резни прибор који додирне струјни кабл може да стави под напон изложене металне делове електричног алата и изложи руковаоца електричном удару.
 11. **Кабл поставите далеко од ротирајућег прибора.** Ако изгубите контролу, може доћи до пресецања или заплитања кабла, а ваша шака или рука може бити повучена на ротирајући прибор.
 12. **Никад не одлажите алат док се прибор потпуно не заустави.** Ротирајући прибор може да се укопа у површину и избаци електрични алат из ваше контроле.
 13. **Не укључујте електрични алат док га преносите са стране.** Случајан додир са ротирајућим прибором може да захвати вашу одећу и повуче прибор према вашем телу.
 14. **Редовно чистите вентилационе отворе електричног алата.** Мотор-вентилатор ће увлачити прашину у кућиште, а превелико нагомилана металне прашине може изазвати електричне опасности.
 15. **Не укључујте електрични алат близу запаљивих материјала.** Варнице би могле да упале такве материјале.
 16. **Немојте да користите прибор за који је потребна расхладна течност.** Употреба воде или других расхладних течности може довести до електричног удара.
- Повратни удар и повезана упозорења**
- Повратни удар представља изненадну реакцију која се јавља када се ротирајућа плоча, подметач, четка или други прибор укљеште или укопају. Укљештење или укопавање изазива брзо блокирање ротирајућег прибора који са своје стране доводи до принудног неконтролисаног кретања алата у смеру супротном од смера ротације прибора у тренутку укљештења. На пример, ако се брусна плоча укопа или укљешти у предмет обраде, ивица плоче која улази у такву укљештења може да зарони у површину материјала изазивајући извлачење или одскакање плоче. Плоча може да одскочи или ка руковаоцу или од њега, што зависи од смера кретања плоче у тренутку укљештења. Под таквим условима, може доћи до лома брусних плоча.
- Повратни удар је резултат неправилног коришћења алата и/или неправилних радних поступака или

услова и може се избегнути предузимањем одговарајућих мера опреза које су наведене у наставку.

а) **Чврсто држите алат, а тело и руку поставите тако да може издржати силе повратног удара. Увек користите помоћну дршку, ако постоји, ради максималне контроле над повратним ударом или реакције на обртни момент при покретању.** Руковалац може да контролише силе реакције на обртни момент или силе повратног удара ако предузме одговарајуће мере опреза.

б) **Никада не стављајте руку близу ротирајућег алата.** Прибор може да направи повратни удар преко ваше руке.

в) **Не заузимајте положај у подручју кретања електричног алата у случају повратног удара.** Повратни удар ће принудити алат да се креће у смеру који је супротан од смера кретања плоче у тренутку укљештења.

г) **Будите нарочито пажљиви када обрађујете углове, оштре ивице итд. Избегавајте одскакање и уковавање прибора.** Углови, оштре ивице или одскакање имају тенденцију уковавања ротирајућег прибора и могу да изазову губљење контроле или повратни удар.

д) **Немојте прикључивати тестере за резање дрвета или других материјала.** Такве тестере често стварају повратни удар и доводе до губитка контроле.

Безбедносна упозорења за операције брушења и абразивног одсецања:

а) **Користите само оне типове плоча који се препоручују за ваш електрични алат и специјалне штитнике за изабрану плочу.** Плоче за које електрични алат није дизајниран не могу се адекватно заштитити и нису безбедне.

б) **Брусна површина коленастих брусних плоча мора да буде монтирана испод равни ивице штитника.** Неисправно монтирана плоча која прелази преко равни ивице штитника не може да буде адекватно заштићена.

в) **Штитник мора да буде чврсто причвршћен на електрични алат и постављен тако да обезбеди максималну безбедност, што значи да ће сечиво бити минимално изложено на страни руковаоца.** Штитник помаже да се руковалац заштити од делића поломљене плоче, случајног додиривања плоче или варница што може упалити одећу.

г) **Плоче смеју да се користе само за препоручене примене. На пример: немојте брусити страницом брусне плоче за одсецање.** Брусне плоче за одсецање су намењене за периферијско брушење, а бочне

силе које делују на ове плоче могу да доведу до њиховог распадања.

д) **За изабрану плочу увек користите неоштећене прирубнице за плоче, одговарајуће величине и облика.** Правилно изабране прирубнице за плоче подржавају плочу и смањују могућност лома плоче. Прирубнице за плоче за одсецање могу се разликовати од прирубница за брусне плоче.

ђ) **Не користите истрошене плоче са већих електричних алата.** Плоча која је намењена за већи алат није подесна за веће брзине мањег алата и може се распрснути.

Додатна безбедносна упозорења за операције абразивног одсецања:

а) **Не „ометајте“ плочу за одсецање и не примењујте превелики притисак. Не покушавајте да направите превише дубоки рез.** Пренапрезање плоче повећава оптерећење и склоност ка увртању и блокирању плоче у резу и могућности повратног удара или ломљења плоче.

б) **Не заузимајте положај у линији са или иза ротирајуће плоче.** Када се у току рада плоча креће супротно од вашег тела, могући повратни удар може принудно усмерити ротирајућу плочу и електрични алат ка вама.

в) **Када се плоча блокира или ако се резање из неког разлога прекине, искључите алат и не померајте га док се плоча потпуно не заустави. Никада не покушавајте да уклоните плочу за одсецање из реза док се плоча врти, јер то може изазвати повратни удар.** Проверите и предузмите корективне мере да бисте елиминисали разлог блокирања плоче.

г) **Не започињите поново резање у предмету обраде. Пустите да плоча достигне пуну брзину и пажљиво поново уведите алат у рез.** Плоча може да се блокира, издиже или прави повратни удар у случају да дође до укључивања струје док се плоча налази у резу.

д) **Подуприте плоче или било који предимензионирани радни предмет да бисте опасност од укљештења и повратног удара svelи на минимум.** Велики предмети обраде имају тенденцију да се улежу под сопственом тежином. Средства за осигурање се морају поставити испод предмета обраде, у близини линије резања и у близини ивице предмета обраде, са обе стране плоче.

ђ) **Будите посебно пажљиви када сечете „цепове“ у постојећим зидовима или на другим непрегледним местима.** Плоча може исећи цевоводе за плин или воду, електричне каблове или предмете који могу изазвати повратни удар.

Безбедносна упозорења за операције полирања брусним папиром:

а) Не користите предимензионисани брусни папир. Придржавајте се препорука произвођача при избору брусног папира. Већи брусни папир који штрчи изван брусне плоче, представља опасност од цепања и може изазвати укопавање и кидање плоче или повратни удар.

Безбедносна упозорења за операције са жичаном четком:

а) Имајте на уму да чекиње четке отпадају и приликом нормалног четкања. Немојте да пренапрежете чекиње примењујући превелико оптерећење на четку. Жичане чекиње могу лако да продру у танку одећу и/или кожу.

б) Ако користите штитник који је препоручен за рад са жичаном четком, пазите да штитник не омета жичани диск или четку. Жичани диск или четка могу да повећају свој пречник због рада и центрифугалних сила.

Додатна безбедносна упозорења:

17. Као коленасте брусне плоче увек употребљавајте само плоче појачане стакленим влакнима.
18. НИКАД НЕ КОРИСТИТЕ камена тоцила за рад ове брусилице. Ова брусилица није пројектована за ову врсту плоча јер може доћи до тешких телесних повреда.
19. Немојте да оштећујете вретено, прирубницу (посебно монтажну површину) или навртње за причвршћивање. Оштећење тих делова може да проузрокује распадање брусне плоче.
20. Уверите се да брусна плоча није у додиру са предметом обраде пре него што укључите прекидач.
21. Пустите да алат ради извесно време пре него што га употребите на самом предмету обраде. Водите рачуна о вибрацијама или подрхтавању који су знак неправилне монтаже или неуравнотежене плоче.
22. За брушење употребљавајте прописану површину плоче.
23. Не остављајте алат да ради. Алат укључите само када га држите рукама.
24. Предмет обраде не додирујте одмах после завршеног брушења, јер може да буде врло врућ и можете да се опечете.
25. Водите рачуна о упутству произвођача у вези са правилном монтажом и употребом брусних плоча. Плочама рукујте опрезно и опрезно их складиштите.
26. За прилагођавање брусних плоча са већим отвором не употребљавајте посебне редукиционе спојнице или адаптере.

27. Употребљавајте само прирубнице које су специфициране за овај алат.
28. Код алата са навојним отвором плоче побрините се да дужина навоја на плочи одговара за прихватање дужине вретена.
29. Проверите да ли је предмет обраде правилно подупрт.
30. Водите рачуна о томе да се плоча окреће још извесно време после искључивања алата.
31. Ако је радно место веома вруће, влажно или пуно прашине која проводи електрицитет, прикључите апарат помоћу склопке за заштиту од кратког споја (30 mA) ради заштите руковаоца.
32. Алат не употребљавајте за обраду материјала који садрже азбест.
33. Када користите плоче за одсецање, увек радите са штитником за сакупљање прашине, што је предвиђено локалним прописима.
34. Резне плоче не смеју да буду изложене било каквом бочном притиску.

САЧУВАЈТЕ ОВО УПУТСТВО.

⚠УПОЗОРЕЊЕ:

НЕ дозволите да строга безбедносна правила која се односе на овај производ буду занемарена због чињенице да сте производ добро упознали и стекли рутину у руковању са њим. **НЕНАМЕНСКА УПОТРЕБА** или непоштовање правила безбедности наведених у овом упутству могу довести до озбиљних повреда.

ОПИС ФУНКЦИЈА АЛАТА

ПАЖЊА:

- Пре подешавања или провере функција алата увек проверите да ли је алат искључен и одвојен из електричне мреже.

Блокада вретена

ПАЖЊА:

- Немојте да активирате блокаду вретена када се осовина окреће. Може доћи до оштећења алата.

слика1

Притисните тастер за блокаду вретена да се осовина не би обртала када постављате или скидате додатну опрему.

Позиције монтирања рукохвата са прекидачем

(За моделе GA7030R, GA7040R, GA9030R и GA9040R)

слика2

Рукохват са прекидачем се може ротирати за 90° налево или надесно тако да одговара вашим потребама током рада. Прво, искључите алат. Притисните тастер за закључавање и ротирајте рукохват са прекидачем у потпуности налево или надесно. Рукохват са прекидачем се ће закључати у тој позицији.

ПАЖЊА:

- Увек проверите да ли је рукохват са прекидачем закључан у жељеној позицији пре употребе.

Функционисање прекидача

ПАЖЊА:

- Пре прикључивања алата на мрежу увек проверите да ли прекидач ради правилно и да ли се враћа у положај „OFF“ (искључивање) пошто га пустите.

слика3

За алат са прекидачем за блокирање

За покретање алата, једноставно повуците прекидач (у правцу Б). За заустављање алата пустите окидач. За непрестани рад, повуците прекидач (у правцу Б) и потом гурните ручицу за закључавање (у правцу А). Да бисте зауставили алат из закључаног положаја, у потпуности повуците прекидач (у правцу Б) и пустите га.

За алат са прекидачем за блокирање и ослобађање из блокираног положаја

слика4

Алат је опремљен ручицом за закључавање која спречава да нехотично повучете прекидач.

Да бисте укључили алат, притисните ручицу за закључавање (у правцу А) и повуците окидач (у правцу Б). За заустављање алата пустите прекидач. За непрестани рад, притисните ручицу за закључавање (у правцу А) и повуците окидач (у правцу Б) и потом повуците ручицу за закључавање (у правцу Ц).

Да бисте зауставили алат из закључаног положаја, у потпуности повуците прекидач (у правцу Б) и пустите га.

Индикаторска лампица

слика5

Индикаторска лампица светли зелено када је алат прикључен на напајање. Ако индикаторска лампица не светли, кабл за напајање или контролер су можда неисправни. Индикаторска лампица светли али алат не ради чак и када се укључи, угљене четкице су истрошене, или контролер, мотор или прекидач за УКЉУЧИВАЊЕ/ИСКЉУЧИВАЊЕ можда нису исправни.

Отпорно на случајно поновно покретање

Чак ни ручица за закључавање која држи прекидач притиснутим (позиција блокирања) не омогућава алату да се поново покрене чак и када се алат прикључи на напајање.

У том тренутку, индикаторска лампица ће треперити црвено и приказује да је уређај за прекид ненамерног поновног покретања активиран.

За отказивање прекида ненамерног поновног покретања, у потпуности повуците прекидач, и пустите га.

Функција лаганог старта

Ови модели крећу са радом лагано када се укључе. Ова функција лаганог старта обезбеђује несметани рад.

МОНТАЖА

ПАЖЊА:

- Пре извођења радова на алату увек проверите да ли је искључен и да ли је утикач извучен из утичнице.

Монтажа бочног рукохвата (дршке)

ПАЖЊА:

- Пре употребе се побрините да бочни рукохват буде правилно монтиран.

слика6

Бочни рукохват чврсто притегните на алат у положају приказаном на слици.

Постављање или скидање штитника плоче (коленасте брусне плоче, мулти-диска, обртне жичане четке / абразивне резне плоче, дијамантске плоче)

⚠УПОЗОРЕЊЕ:

- Када се користи коленаста брусна плоча / мулти-диск, еластична плоча или обртна жичана четка, штитник плоче треба причврстити на алат тако да затворена страна буде увек усмерена према руковаоцу алатом.
- Када се користи абразивна резна плоча / дијамантска плоча, обавезно користите искључиво специјални штитник плоче пројектован за коришћење са брусним плочама за одсецање. (У европским земљама се може користити обичан штитник за рад са дијамантском плочом.)

За алат са штитником плоче у виду зауставног завртња

слика7

Штитник плоче поставите тако да избочина на прстену штитника буде поравната са жлебом на кућишту лежаја. После тога окрените штитник под углом под којим ће штитити руковаоца у зависности од посла који обавља. Пазите да завртањ буде чврсто затегнут.

Да бисте скинули штитник плоче, примените обрнути редослед.

За алат са штитником плоче у виду полуге за стезање

слика8

слика9

Олабавите ручицу на штитнику плоче. Штитник плоче поставите тако да избочина на прстену штитника буде поравната са жлебом на кућишту лежаја. Потом ротирајте штитник плоче околу до позиције која је приказана на слици. Затегните ручицу да бисте причврстили штитник плоче. Ако је ручица превише затегнута или олабављена да би причврстила штитник плоче, олабавите или затегните навртањ да бисте подесили затегнутост прстена на штитнику.

Да бисте скинули штитник плоче, примените обрнути редослед.

Постављање или скидање коленасте брусне плоче/мулти-диска (додатни прибор)

⚠УПОЗОРЕЊЕ:

- Увек користите приложени штитник када се коленаста брусна плоча/мулти-диск налази на алату. Плоча се може сломити током употребе а штитник помаже тако што смањује шансе да дође до повреде.

слика10

Унутрашњу прирубницу поставите на осовину. Брусну плочу/диск навуците на унутрашњу прирубницу, после тога заврните сигурносни навртањ на осовину.

Супер прирубница

Модел са словом F су стандардно опремљени супер прирубницом. Само трећина напора је потребна за скидање сигурносног навртања, у поређењу са конвенционалним типом.

За Аустралију и Нови Зеланд

слика11

Унутрашњу прирубницу поставите на осовину. Брусну плочу/диск навуците на унутрашњу прирубницу, после тога заврните сигурносни навртањ на осовину тако да је његова избочина окренута надолу (према плочи).

слика12

Да бисте притегли сигурносни навртањ, притисните тастер за блокаду вретена тако да осовина не може да се обрће, а затим кључем чврсто притегните сигурносни навртањ у смеру казаљке на сату.

Да бисте скинули брусну плочу, примените обрнути редослед.

Постављање или скидање абразивног диска (опциони додатни прибор)

НАПОМЕНА:

- Употребљавајте само брусни прибор наведен у овом упутству. Морате га засебно купити.

слика13

Поставите гумено јастуче на осовину. Поставите диск на гумено јастуче и заврните сигурносни навртањ на осовину. Да бисте притегли сигурносни навртањ, притисните тастер за блокаду вретена тако да осовина не може да се обрће, а затим кључем чврсто притегните сигурносни навртањ у смеру казаљке на сату.

Да бисте скинули диск, примените обрнути редослед.

РАД

⚠УПОЗОРЕЊЕ:

- Током рада никада не употребљавајте силу. Сама тежина алата обезбеђује довољан притисак. У случају претераног притиска постоји опасност да се плоча распадне.
- Брусну плочу УВЕК замените ако се алат током брушења срушио.
- Брусна плоча НИКАДА не сме да удари о предмет обраде.
- Водите рачуна да брусна плоча не одскочи или да се не окрњи, нарочито приликом обраде углова, оштрих ивица итд. То би могло да изазове губитак контроле и повратни ударац.

- Алат НИКАДА не употребљавајте са листовима тестере за резање дрвета и другим листовима тестере. Ако се употребе на брусници, такви листови тестере изазивају честе повратне ударе и губитак контроле, што може да доведе до повреда.

⚠ ПАЖЊА:

- Никада немојте да укључујете алат када је у контакту са предметом обраде, јер може доћи до повреде руковаоца.
- Увек носите заштитне наочаре или штитник за лице током рада.
- По завршетку рада увек искључите алат и пре одлагања алата сачекајте да се брусна плоча потпуно заустави.

Брушење и полирање

слика14

Алат УВЕК држите чврсто једном руком за задњу дршку, а другом за бочну дршку. Укључите уређај и поставите брусну плочу или брусни диск на предмет обраде.

Ивицу брусне плоче или диска углавном треба држати под углом од око 15 степени у односу на површину предмета обраде.

Током уодавања нове плоче, брусницу не померајте у смеру Б јер ће у супротном плоча зарезати предмет обраде. Када се ивица плоче због употребе заокружи, плочу можете да употребљавате и у смеру А и у смеру Б.

Руковање лончастом жичаном четком (опциони додатни прибор)

⚠ ПАЖЊА:

- Проверите функционисање четке радом у празном ходу, и то само када сте сигурни да никог нема испред или у линији са четком.
- Не употребљавајте четку која је оштећена или неуравнотежена. Ако користите оштећену четку, повећаће се опасност од повреде изазване сломљеним жицама са четке.

слика15

Извучите утикач из утичнице и окрените алат наопако, тако да можете лако приступити осовини. Скините сав прибор са осовине. Монтирајте лончасту жичану четку на осовину и стегните је испорученим кључем. Приликом употребе четке, не вршите претерани притисак јер жице могу да се савију и прерано сломе.

Руковање обртном жичаном четком (опциони додатни прибор)

⚠ ПАЖЊА:

- Проверите функционисање обртне жичане четке радом у празном ходу, и то само када сте сигурни да никог нема испред или у линији са четком.

- Не употребљавајте обртну жичану четку која је оштећена или неуравнотежена. Ако користите оштећену обртну жичану четку, повећаће се опасност од повреде изазване сломљеним жицама са четке.
- УВЕК користите штитник с обртним жичаним четкама, водећи рачуна да пречник плоче одговара штитнику. Плоча се може сломити током употребе а штитник помаже тако што смањује шансе да дође до повреде.

слика16

Извучите утикач из утичнице и окрените алат наопако, тако да можете лако приступити осовини. Скините сав прибор са осовине. Ставите обртну жичану четку на осовину и стегните је кључем.

Приликом употребе обртне четке, не вршите претерани притисак јер жице могу да се савију и прерано сломе.

Рад са брусном плочом за одсецање / дијамантском плочом (опциони додатни прибор)

⚠ УПОЗОРЕЊЕ:

- Када се користи абразивна резна плоча / дијамантска плоча, обавезно користите искључиво специјални штитник плоче пројектован за коришћење са брусним плочама за одсецање. (У европским земљама се може користити обичан штитник за рад са дијамантском плочом.)
- НИКАДА не користите брусну плочу за одсецање за радове на бочном брушењу.
- Не „ометајте“ плочу и не примењујте превелики притисак. Не покушавајте да направите превише дубоки рез. Пренапрезање плоче повећава оптерећење и склоност ка увртању и блокирању плоче у резу и могућности повратног удара или ломљења плоче, па и прегревања мотора.
- Не започињите резање у предмету обраде. Пустите да плоча достигне пуну брзину и пажљиво уведите алат у рез померајући алат унапред преко површине предмета обраде. Плоча може да се блокира, издиже или прави повратни удар у случају да дође до укључивања струје док се плоча налази у предмету обраде.
- Никад не мењајте угао нагиба плоче током резања. Бочни притисак на брусну плочу за одсецање (као код брушења) довешће до прскања и ломљења плоче, што може проузроковати озбиљне повреде.
- Дијамантску плочу треба употребљавати под правим углом у односу на материјал који се сече.

Унутрашњу прирубницу поставите на осовину. Брусну плочу/диск навуците на унутрашњу прирубницу, после тога заврните сигурносно навртањ на осовину.

слика17

За Аустралију и Нови Зеланд

Постављање или скидање абразивне резне плоче / дијамантске плоче (опциони додатни прибор)

слика18

ОДРЖАВАЊЕ

ПАЖЊА:

- Пре него што почнете с прегледом или одржавањем алата, проверите да ли је алат искључен а утикач извучен из утичнице.
- Немојте да користите нафту, бензин, разређивач, алкохол и слично. Могу се појавити губитак боје, деформација или оштећење.

слика19

Алат и вентилационе отворе увек одржавајте чистим. Вентилационе отворе чистите редовно или када почну да се зачепљују.

Замена угљених четкица

слика20

Када смоласти изолациони врх унутар угљене четкице дође у додир с колектором, мотор ће се аутоматски зауставити. Када се то догоди, треба заменити обе угљене четкице. Одржавајте угљене четкице да би биле чисте и да би ушле у лежишта. Обе угљене четкице треба заменити у исто време. Употребљавајте само идентичне угљене четкице.

слика21

Помоћу одвијача одвртите и скините поклопце држача четкица. Извадите истрошене угљене четкице, убаците нове и затворите поклопце држача четкица.

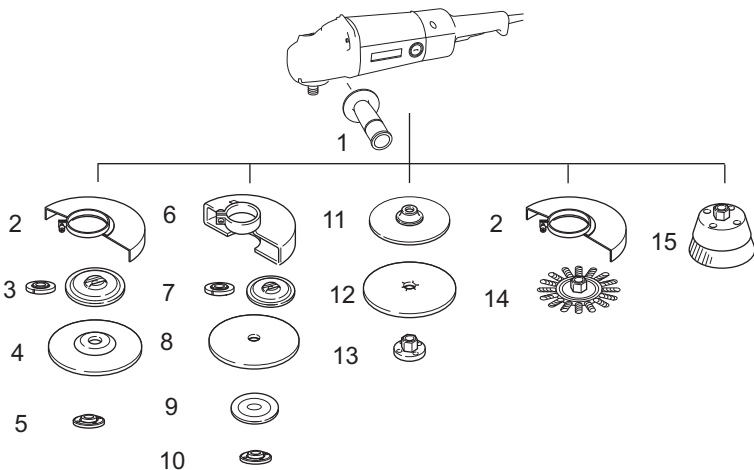
БЕЗБЕДАН и ПОУЗДАН рад алата гарантујемо само ако поправке, свако друго одржавање или подешавање, препустите овлашћеном сервису за алат Makita, уз употребу оригиналних резервних делова Makita.

ОПЦИОНИ ДОДАТНИ ПРИБОР

ПАЖЊА:

- Ова опрема и прибор намењени су за употребу са алатом Makita описаним у овом упутству за употребу. Употреба друге опреме и прибора може да доведе до повреда. Делове прибора или опрему користите само за предвиђену намену.

Да бисте сазнали детаље у вези са овим додатним прибором обратите се локалном сервисном центру Makita.



1	Бочни рукохват
2	Штитник плоче за коленасту брусну плочу / Вишеструки диск / Жичана кружна четка
3	Унутрашња прирубница / Надприрубница / Унутрашња прирубница 102 (само Аустралија и Нови Зеланд)
4	Коленаста брусна плоча/Мулти-диск
5	Навртањ за закључавање/ Ezynut*1
6	Штитник плоче за брусну плочу за одсецање/Дијамантску плочу*2
7	Унутрашња прирубница / Надприрубница / Унутрашња прирубница 78 (само Аустралија и Нови Зеланд)
8	Брусна плоча за одсецање/Дијамантска плоча
9	Спољна прирубница 78 (Само Аустралија и Нови Зеланд)*3
10	Навртањ за закључавање/ Ezynut*1
11	Гумени подметач
12	Брусни диск
13	Навртањ за закључавање шмиргле
14	Жичана кружна четка
15	Жичана четка у облику купе
—	Кључ за сигурносни навртањ
—	Додатак поклопца за прашину

*1 Немојте да користите надприрубницу и Ezynut заједно.

*2 У европским земљама, када се користи дијамантска плоча, обични штитник може да се користи уместо специјалног штитника покривајући обе стране плоче.

*3 Унутрашњу прирубницу 78 и спољну прирубницу 78 користите заједно. (Само Аустралија и Нови Зеланд)

011513

НАПОМЕНА:

- Поједине ставке на листи могу бити укључене у садржај паковања алата као стандардна опрема. Могу се разликовати од земље до земље.

РУССКИЙ ЯЗЫК (Исходная инструкция)

Объяснения общего плана

1-1. Замок вала	10-1. Стопорная гайка	17-4. Защитный кожух для абразивного отрезного круга/ алмазного круга
2-1. Корпус двигателя	10-2. Диск с вогнутым центром	
2-2. Кнопка блокировки	10-3. Быстрозажимной фланец	
2-3. Ручка	10-4. Внутренний фланец	18-1. Стопорная гайка
3-1. Рычаг блокировки	11-1. Стопорная гайка	18-2. Наружный фланец 78
3-2. Курковый выключатель	11-2. Диск с вогнутым центром	18-3. Абразивный отрезной круг/ алмазный круг
4-1. Рычаг блокировки	11-3. Внутренний фланец	18-4. Внутренний фланец 78
4-2. Курковый выключатель	12-1. Ключ стопорной гайки	18-5. Защитный кожух для абразивного отрезного круга/ алмазного круга
5-1. Индикаторная лампа	12-2. Замок вала	19-1. Вытяжное отверстие
7-1. Ограждение диска	13-1. Стопорная гайка	19-2. Впускное вентиляционное отверстие
7-2. Винт	13-2. Абразивный диск	20-1. Коммутатор
7-3. Узел подшипника	13-3. Резиновая подушка	20-2. Изоляционный наконечник
8-1. Ограждение диска	15-1. Крышка с проводом щетки	20-3. Угольная щетка
8-2. Узел подшипника	16-1. Дискосвая проволочная щетка	21-1. Колпачок держателя щетки
8-3. Гайка	17-1. Стопорная гайка	21-2. Отвертка
8-4. Рычаг	17-2. Абразивный отрезной круг/ алмазный круг	
9-1. Гайка	17-3. Внутренний фланец	
9-2. Рычаг		

ТЕХНИЧЕСКИЕ ХАРАКТЕРИСТИКИ

Модель	GA7020R	GA7030R	GA7040R	GA9020R	GA9030R	GA9040R
Диаметр диска с вогнутым центром	180 мм			230 мм		
Макс. толщина круга	6,5 мм	6,5 мм	6,5 мм	6,5 мм	6,5 мм	6,5 мм
Резьба шпинделя	M14					
Номинальное число оборотов (n) / Число оборотов без нагрузки (n ₀)	8 500(мин ⁻¹)			6 600(мин ⁻¹)		
Общая длина	473 мм	503 мм		473 мм	503 мм	
Вес нетто	5,6 кг	6,3 кг	6,6 кг	5,8 кг	6,5 кг	6,9 кг
Класс безопасности	□/Л					

- Благодаря нашей постоянно действующей программе исследований и разработок, указанные здесь технические характеристики могут быть изменены без предварительного уведомления.
- Технические характеристики могут различаться в зависимости от страны.
- Масса в соответствии с процедурой EPTA 01/2003

ENE048-1

Назначение

Инструмент предназначен для шлифовки, зачистки и резки материалов из металла и камня без использования воды.

ENF002-2

Питание

Подключайте данный инструмент только к тому источнику питания, напряжение которого соответствует напряжению, указанному на паспортной табличке. Инструмент предназначен для работы от источника однофазного переменного тока. Они имеют двойную изоляцию и поэтому может подключаться к розеткам без заземления.

ENG905-1

Шум

Типичный уровень взвешенного звукового давления (A), измеренный в соответствии с EN60745:

Уровень звукового давления (L_{PA}): 90 дБ (A)
Уровень звуковой мощности (L_{WA}): 101 дБ (A)
Погрешность (K): 3 дБ (A)

Используйте средства защиты слуха

ENG900-1

Вибрация

Суммарное значение вибрации (сумма векторов по трем осям) определяется по следующим параметрам EN60745:

Модель GA7020R

Рабочий режим: шлифовка поверхности
Распространение вибрации (a_{h,AG}): 8,0 м/с²
Погрешность (K): 1,5 м/с²

Режим работы: шлифовка диском
Распространение вибрации ($a_{h,DS}$): 3,0 м/с²
Погрешность (K): 1,5 м/с²

Модель GA7030R

Рабочий режим: шлифовка поверхности
Распространение вибрации ($a_{h,AG}$): 6,5 м/с²
Погрешность (K): 1,5 м/с²

Режим работы: шлифовка диском
Распространение вибрации ($a_{h,DS}$): 3,5 м/с²
Погрешность (K): 1,5 м/с²

Модель GA7040R

Рабочий режим: шлифовка поверхности
Распространение вибрации ($a_{h,AG}$): 7,0 м/с²
Погрешность (K): 1,5 м/с²

Режим работы: шлифовка диском
Распространение вибрации ($a_{h,DS}$): 3,0 м/с²
Погрешность (K): 1,5 м/с²

Модель GA9020R, GA9040R

Рабочий режим: шлифовка поверхности
Распространение вибрации ($a_{h,AG}$): 6,0 м/с²
Погрешность (K): 1,5 м/с²

Рабочий режим: шлифовка диском
Распространение вибрации ($a_{h,DS}$): 2,5 м/с² или менее
Погрешность (K): 1,5 м/с²

Модель GA9030R

Рабочий режим: шлифовка поверхности
Распространение вибрации ($a_{h,AG}$): 5,5 м/с²
Погрешность (K): 1,5 м/с²

Рабочий режим: шлифовка диском
Распространение вибрации ($a_{h,DS}$): 2,5 м/с² или менее
Погрешность (K): 1,5 м/с²

ENG902-1

- Заявленное значение распространения вибрации измерено в соответствии со стандартной методикой испытаний и может быть использовано для сравнения инструментов.
- Заявленное значение распространения вибрации можно также использовать для предварительных оценок воздействия.
- Заявленное значение распространения вибрации относится к основным операциям, выполняемым с помощью электроинструмента. Однако если электроинструмент используется для других целей, уровень вибрации может отличаться.

⚠ ПРЕДУПРЕЖДЕНИЕ:

- Распространение вибрации во время фактического использования электроинструмента может отличаться от заявленного значения в зависимости способа применения инструмента.
- Обязательно определите меры безопасности для защиты оператора, основанные на оценке воздействия в реальных условиях использования (с учетом всех этапов рабочего цикла, таких как выключение инструмента, работа без нагрузки и включение).

ENH101-17

Только для европейских стран

Декларация о соответствии ЕС

Makita заявляет, что следующее устройство (устройства):

Обозначение устройства:

Угловая шлифмашина

Модель / тип: GA7020R, GA7030R, GA7040R, GA9020R, GA9030R, GA9040R

Соответствует (-ют) следующим директивам ЕС:
2006/42/EC

Изготовлены в соответствии со следующим стандартом или нормативными документами:

EN60745

Технический файл в соответствии с документом 2006/42/EC доступен по адресу:

Makita, Jan-Baptist Vinkstraat 2, 3070, Belgium

31.12.2013



000331

Ясуси Фукайа (Yasushi Fukaya)

Директор

Makita, Jan-Baptist Vinkstraat 2, 3070, Belgium

GEA010-1

Общие рекомендации по технике безопасности для электроинструментов

⚠ **ПРЕДУПРЕЖДЕНИЕ** Ознакомьтесь со всеми инструкциями и рекомендациями по технике безопасности. Невыполнение инструкций и рекомендаций может привести к поражению электротоком, пожару и/или тяжелым травмам.

Сохраните брошюру с инструкциями и рекомендациями для дальнейшего использования.

ПРАВИЛА ТЕХНИКИ БЕЗОПАСНОСТИ ПРИ ЭКСПЛУАТАЦИИ УГЛОВОЙ ШЛИФМАШИНЫ

Общие предупреждения о безопасности для операций шлифования, зачистки проволочной щеткой и абразивной резки:

1. Данный электроинструмент предназначен для шлифования, зачистки проволочной щеткой и абразивной резки. Ознакомьтесь со всеми представленными инструкциями по технике безопасности, указаниями, иллюстрациями и техническими характеристиками, прилагаемыми к данному инструменту. Несоблюдение всех инструкций, указанных ниже, может привести к поражению электрическим током, пожару и/или серьезной травме.
2. Не рекомендуется пользоваться данным инструментом для выполнения таких операций, как полировка. Использование инструмента не по назначению может создать опасную ситуацию и стать причиной травмы.
3. Не используйте принадлежности других производителей, не рекомендованные производителем данного инструмента. Даже если принадлежность удастся закрепить на инструменте, это не обеспечит безопасность эксплуатации.
4. Номинальная скорость принадлежности должна быть как минимум равна максимальной скорости, обозначенной на инструменте. При превышении номинальной скорости принадлежности последняя может разломиться на части.
5. Внешний диаметр и толщина принадлежности должна соответствовать номинальной мощности инструмента. Принадлежности неправильного размера не обеспечивают безопасность работы.
6. Резьбовые отверстия дополнительных принадлежностей должны совпадать с резьбой шпинделя шлифовальной машины. Для принадлежностей, устанавливаемых с помощью фланцев, отверстие для шпинделя на принадлежности должно соответствовать диаметру фланца. Несоответствие посадочного размера принадлежности и монтажного узла электроинструмента может привести к нарушению балансировки, сильной вибрации и к потере контроля над инструментом.
7. Не используйте поврежденные принадлежности. Перед каждым использованием принадлежностей типа

абразивных кругов проверяйте их на наличие сколов и трещин, проверяйте опорные фланцы на наличие трещин, задиоров или чрезмерного износа, а проволочные щетки - на наличие выпавших или сломанных проволок. Если вы уронили инструмент или принадлежность, осмотрите их на предмет повреждений либо установите неповрежденную принадлежность. После осмотра и установки принадлежности удалите посторонних из рабочей зоны, встаньте в стороне от плоскости вращения принадлежности и включите инструмент на максимальную мощность без нагрузки, дайте ему поработать в течение одной минуты. Поврежденные принадлежности в течение этого времени обычно ломаются.

8. Надевайте средства индивидуальной защиты. В зависимости от выполняемой операции надевайте предохранительный щиток для лица, защитные очки или защитную маску. При необходимости используйте респиратор, средства защиты слуха, перчатки и передник, способный защитить от маленьких фрагментов абразива или заготовки. Средства защиты глаз должны быть способны остановить осколки, разлетающиеся при различных операциях. Противопылевая маска или респиратор должны задерживать частицы, образующиеся при работе. Продолжительное воздействие громкого шума может привести к потере слуха.
9. Посторонние должны находиться на безопасном расстоянии от рабочего места. Любой приближающийся к рабочему месту должен предварительно надеть индивидуальные средства защиты. Осколки заготовки или сломавшейся принадлежности могут разлететься и причинить травму даже на значительном удалении от рабочего места.
10. Если при выполнении работ существует риск контакта режущего инструмента со скрытой электропроводкой или собственным шнуром питания, держите электроинструмент только за специально предназначенные изолированные поверхности. Контакт с проводом под напряжением приведет к тому, что металлические детали инструмента также будут под напряжением, что приведет к поражению оператора электрическим током.
11. Располагайте шнур питания на удалении от вращающейся принадлежности. Если вы не удержите инструмент, возможно случайное разрезание или повреждение шнура, а также затягивание руки вращающейся

принадлежностью.

12. **Не кладите инструмент, пока принадлежность полностью не остановится.** Вращающаяся насадка может коснуться поверхности, и вы не удержите инструмент.
13. **Не включайте инструмент во время переноски.** Случайный контакт с вращающейся принадлежностью может привести к защемлению одежды и притягиванию принадлежности к телу.
14. **Регулярно прочищайте вентиляционные отверстия инструмента.** Вентилятор электродвигателя засасывает пыль внутрь корпуса, а значительные отложения металлической пыли могут привести к поражению электрическим током.
15. **Не используйте инструмент вблизи горючих материалов.** Эти материалы могут воспламениться от искр.
16. **Не используйте принадлежности, требующие жидкостного охлаждения.** Использование воды или других охлаждающих жидкостей может привести к поражению электротоком.

Отдача и соответствующие предупреждения

Отдача – это мгновенная реакция на неожиданное застопоривание вращающегося круга или другой принадлежности. Застревание или застопоривание вызывает резкую остановку вращающейся принадлежности, что, в свою очередь, приводит к неконтролируемому рывку инструмента в направлении, противоположном вращению принадлежности в момент застревания.

Например, если абразивный круг застопорится или застрянет в заготовке, край круга, входящий в точку заклинивания, может врезаться в поверхность материала, в результате чего круг поведет вверх или отбросит. Круг может совершить рывок в направлении оператора или обратно, в зависимости от направления перемещения круга в точке заклинивания. В такой ситуации абразивные круги могут даже сломаться.

Отдача – это результата неправильного использования инструмента и/или неправильных процедур или условий эксплуатации. Ее можно избежать, соблюдая предосторожности, указанные ниже.

- a) **Крепко держите инструмент и располагайте тело и руки таким образом, чтобы иметь возможность противостоять силе, возникающей при отдаче. Обязательно пользуйтесь вспомогательной ручкой (если имеется), чтобы обеспечить максимальный контроль над отдачей или крутящим моментом во время пуска.** Оператор способен справиться с крутящим моментом и силами отдачи при условии

соблюдения соответствующих мер безопасности.

b) **Не подносите руки к вращающейся принадлежности.** При отдаче можно повредить руки.

c) **Не становитесь на возможной траектории движения инструмента в случае отдачи.** При отдаче инструмент сместится в направлении, противоположном вращению диска в момент застревания.

d) **Соблюдайте особую осторожность при обработке углов, острых краев и т.п. Не допускайте рывков и блокировки принадлежности.** Углы, острые края или рывки могут привести к блокировке вращающейся принадлежности и стать причиной потери контроля или вызвать отдачу.

e) **Не устанавливайте на инструмент пильную цепь, принадлежность для резбы по дереву или дисковую пилу.** Такие насадки часто приводят к возникновению отдачи и потере контроля над инструментом.

Специальные предупреждения о безопасности для операций шлифования и абразивной резки:

a) **Используйте круги только рекомендованных типов и специальные защитные приспособления, разработанные для выбранного круга.** Круги, не предназначенные для данного инструмента, не обеспечивают достаточную степень защиты и небезопасны.

b) **Шлифовальная поверхность дисков с вогнутым центром должна быть установлена под плоской поверхностью кромки ограждения.** Для неправильно установленного диска, выступающего над плоской поверхностью кромки ограждения, надлежащая защита не гарантируется.

c) **Ограждение должно быть надежно закреплено на инструменте и установлено так, чтобы обеспечивать максимальную безопасность, чтобы как можно меньший сегмент круга выступал наружу.** Ограждение помогает обезопасить оператора от разлета осколков разрушившегося круга, случайного прикосновения к кругу и искр, которые могут воспламенить одежду.

d) **Диски должны использоваться только по рекомендованному назначению.** Например: не шлифуйте краем отрезного диска. Абразивные отрезные диски предназначены для периферийного шлифования, боковые усилия, приложенные к таким дискам, могут вызвать их разрушение.

e) **Обязательно используйте неповрежденные фланцы для дисков соответствующего размера и формы.** Подходящие фланцы поддерживают диск, снижая вероятность его разрушения. Фланцы

для отрезных дисков могут отличаться от фланцев для шлифовальных дисков.

f) **Не используйте изношенные диски от более крупных электроинструментов.** Диски, предназначенные для более мощного электроинструмента, не подходят для высокоскоростного электроинструмента меньшей мощности и могут разорваться.

Дополнительные специальные предупреждения о безопасности для операций абразивной резки:

a) **Не "заклинивайте" отрезной круг и не прикладывайте к нему чрезмерное давление. Не пытайтесь делать слишком глубокий разрез.** Перенапряжение круга увеличивает его нагрузку и восприимчивость к короблению или прихватуванию в прорези, а также возможность отдачи или поломки круга.

b) **Не становитесь на одной линии или позади вращающегося круга.** Если во время операции круг движется от вас, то при отдаче вращающийся круг и инструмент может отбросить прямо на вас.

c) **Если круг застрял или процесс резания прерывается по другой причине, выключите электроинструмент и держите его неподвижно до полной остановки круга.** Не пытайтесь извлечь отрезной круг из разреза до полной остановки круга, в противном случае может возникнуть отдача. Выясните и устраните причину застревания круга.

d) **Не перезапускайте отрезной круг, пока он находится в детали.** Дождитесь, пока круг разовьет максимальную скорость, и осторожно погрузите его в разрез. Круг может застрять, отбросить вверх или назад, если перезапустить электроинструмент непосредственно в детали.

e) **Устанавливайте опоры под панели или большие детали, чтобы уменьшить риск застревания круга и возникновения отдачи.** Большие детали имеют тенденцию к прогибу под собственным весом. При резании таких панелей необходимо поместить опоры под разрезаемую деталью рядом с линией разреза и рядом с краем детали с обеих сторон круга.

f) **Будьте особенно осторожны при выполнении "врезки" в существующих стенах или на других неизвестных участках.** Выступающий круг может натолкнуться на газовую или водопроводную трубу, электропроводку или предметы, которые могут привести к отдаче.

Специфические инструкции по технике безопасности, относящиеся к операциям шлифовки:

a) **Не пользуйтесь шлифовальным диском слишком большого размера.** При выборе наждачной бумаги следуйте рекомендациям

производителя. Большие размеры наждачной бумаги, выступающей за края подложки, могут привести к разрыву бумаги, застреванию, разрушению диска или отдаче.

Специфические инструкции по технике безопасности, относящиеся к операциям очистки проволочной щеткой:

a) **Берегитесь проволочек, которые разлетаются от щетки даже в нормальном режиме работы.** Не прикладывайте чрезмерное усилие на проволоку, слишком сильно нажимая на щетку. Проволока щетки может легко пробить одежду и/или кожу.

b) **Если для работы по очистке проволочными щётками рекомендуется использовать кожу, не допускайте контакта проволочного круга или щетки с кожухом.** Проволочный круг или щётка могут увеличиваться в диаметре под воздействием нагрузки и центробежных сил.

Дополнительные предупреждения по безопасности:

17. При использовании дисков с вогнутым центром используйте только диски армированные стекловолокном.
18. **ЗАПРЕЩАЕТСЯ ИСПОЛЬЗОВАТЬ** с этим инструментом шлифовальные чашки для камня. Данная шлифовальная машина не предназначена для принадлежностей такого типа, их использование может привести к тяжелой травме.
19. **Будьте осторожны во избежание повреждения шпинделя, фланца (особенно его установочной поверхности) или стопорной гайки.** Повреждения этих деталей могут привести к поломке круга.
20. **Перед включением выключателя убедитесь, что диск не касается детали.**
21. **Перед тем, как использовать инструмент для фактических работ, дайте ему немного поработать вхолостую.** Следите за вибрацией или биением, которые могут свидетельствовать о неправильной установке или плохой балансировке круга.
22. Для выполнения шлифовки пользуйтесь соответствующей поверхностью диска.
23. **Не оставляйте работающий инструмент без присмотра.** Включайте инструмент только тогда, когда он находится в руках.
24. **Сразу после окончания работ не прикасайтесь к обработанной детали.** Она может быть очень горячей, что приведет к ожогам кожи.
25. **Соблюдайте инструкции изготовителя по правильной установке и использованию дисков.** Бережно обращайтесь с дисками и аккуратно храните их.
26. **Не пользуйтесь отдельными переходными втулками или адаптерами для крепления**

- абразивных дисков с большими отверстиями.
27. Используйте только фланцы, указанные для данного инструмента.
 28. Для инструментов, предназначенных для использования дисков с резьбовым отверстием, убедитесь, что резьба диска достаточна, чтобы диск можно было полностью завернуть на шпиндель.
 29. Убедитесь, что обрабатываемая деталь имеет надлежащую опору.
 30. Обратите внимание на то, что диск будет некоторое время вращаться после выключения инструмента.
 31. Если в месте выполнения работ очень высокая температура и влажность или в ней содержится большое количество токопроводящей пыли, используйте прерыватель цепи (30 мА) для обеспечения безопасности работ.
 32. Не используйте инструмент на любых материалах, содержащих асбест.
 33. При использовании отрезного диска, всегда работайте с защитным кожухом диска для сбора пыли, установка которого необходима в соответствии с местными нормативными требованиями.
 34. Не подвергайте отрезные круги какому-либо боковому давлению.

СОХРАНИТЕ ДАННЫЕ ИНСТРУКЦИИ.

⚠ ПРЕДУПРЕЖДЕНИЕ:

НЕ ДОПУСКАЙТЕ, чтобы удобство или опыт эксплуатации данного устройства (полученный от многократного использования) доминировали над строгим соблюдением правил техники безопасности при обращении с этим устройством. НЕПРАВИЛЬНОЕ ИСПОЛЬЗОВАНИЕ инструмента или несоблюдение правил техники безопасности, указанных в данном руководстве, может привести к тяжелой травме.

ОПИСАНИЕ ФУНКЦИОНИРОВАНИЯ

⚠ ПРЕДУПРЕЖДЕНИЕ:

- Перед проведением регулировки или проверки работы инструмента всегда проверяйте, что инструмент выключен, а шнур питания вынут из розетки.

Замок вала

⚠ ПРЕДУПРЕЖДЕНИЕ:

- Никогда не задействуйте замок вала при вращающемся шпинделе. Это может привести к повреждению инструмента.

Рис.1

Нажмите на замок вала для предотвращения вращения шпинделя при установке или снятии дополнительных принадлежностей.

Положения установки рукоятки переключения

(Для моделей GA7030R, GA7040R, GA9030R и GA9040R)

Рис.2

Для удобства работы ручка с выключателем может вращаться влево или вправо на 90°. Сначала отключите инструмент от сети. Затем нажмите на кнопку фиксации и поверните ручку с выключателем влево или вправо до упора. Ручка с выключателем зафиксируется в этом положении.

⚠ ПРЕДУПРЕЖДЕНИЕ:

- Перед эксплуатацией всегда проверяйте, что ручка с выключателем зафиксирована в желаемом положении.

Действие переключения

⚠ ПРЕДУПРЕЖДЕНИЕ:

- Перед включением инструмента в розетку, всегда проверяйте, что триггерный переключатель работает надлежащим образом и возвращается в положение "ВЫКЛ", если его отпустить.

Рис.3

Для инструмента с блокирующим переключателем

Для включения инструмента достаточно просто нажать на курковый выключатель (в направлении В). Для выключения инструмента отпустите курковый выключатель. Для непрерывной работы инструмента нажмите на курковый выключатель (в направлении В) и затем нажмите на стопорный выключатель (в направлении А). Для отключения фиксированного положения выключателя до конца нажмите на курковый выключатель (в направлении В) и затем отпустите его.

Для инструмента с переключателем с блокировкой и без блокировки

Рис.4

Для предотвращения случайного нажатия куркового выключателя на инструменте установлен стопорный рычаг.

Для включения инструмента нажмите на стопорный рычаг (в направлении А) и затем нажмите на курковый выключатель (в направлении В). Для выключения инструмента отпустите курковый выключатель.

Для непрерывной работы инструмента нажмите на стопорный выключатель (в направлении А), нажмите на курковый выключатель (в направлении В), а затем нажмите на стопорный выключатель (в направлении С).

Для отключения фиксированного положения выключателя до конца нажмите на курковый выключатель (в направлении В) и затем отпустите его.

Индикатор

Рис.5

При подключении инструмента к сети питания загорается зеленый индикатор. Если индикатор не загорается, то неисправен либо сетевой шнур, либо контроллер. Если индикатор светится, а инструмент не включается даже при нажатом выключателе, это свидетельствует либо об износе щеток, либо о неисправности контроллера, электромотора или выключателя.

Защита от случайного включения

Инструмент не включится при подсоединении к сети электропитания, даже если стопорный рычаг удерживает курковый выключатель в нажатом положении (положение фиксации во включенном состоянии).

Индикатор начнет мигать красным цветом, что свидетельствует об активированной функции защиты от случайного включения.

Для отмены защиты от случайного включения нажмите на курковый выключатель до конца, чтобы освободить его.

Функция плавного запуска

При включении инструменты данной модели начинают работать медленно. Эта функция плавного запуска обеспечивает плавность работы.

МОНТАЖ

⚠ПРЕДУПРЕЖДЕНИЕ:

- Перед проведением каких-либо работ с инструментом всегда проверяйте, что инструмент выключен, а шнур питания вынут из розетки.

Установка боковой рукоятки (ручки)

⚠ПРЕДУПРЕЖДЕНИЕ:

- Перед работой всегда проверяйте надежность крепления боковой рукоятки.

Рис.6

Прочно закрепите боковую рукоятку на месте, как показано на рисунке.

Установка или снятие защитного кожуха (для диска с углубленным центром, многофункционального диска, дисковой проволочной щетки/абразивного отрезного диска, алмазного диска)

⚠ПРЕДУПРЕЖДЕНИЕ:

- При использовании шлифовального диска с углубленным центром/многофункционального диска, гибкого диска или дисковой проволочной щетки установите защитный кожух так, чтобы закрытая сторона кожуха была направлена к оператору.
- При использовании абразивного отрезного круга/алмазного круга может применяться только специальный защитный кожух, предназначенный для отрезных кругов. (В Европе при использовании алмазного круга можно использовать обычное ограждение.)

Для инструмента с ограждением диска со стопорным болтом

Рис.7

Установите кожух диска, чтобы выступ на его хомуте совместился с пазом на коробке подшипника. Затем установите кожух под таким углом, чтобы во время работы он защищал оператора. Надежно затяните винты.

Для снятия кожуха диска выполните процедуру установки в обратном порядке.

Для инструмента с ограждением диска с зажимным рычагом

Рис.8

Рис.9

Ослабьте рычаг на ограждении диска. Установите ограждение диска так, чтобы паз на хомуте фиксации ограждения совпал с выступом на узле подшипника. Затем поверните ограждение диска по кругу и установите его в положение, показанное на рисунке. Затяните рычаг для фиксации ограждения

диска. Если рычаг слишком тугой или слишком слабый для затягивания ограждения диска, ослабьте или затяните гайку для регулировки затяжки хомута ограждения диска.

Для снятия кожуха диска выполните процедуру установки в обратном порядке.

Установка или снятие шлифовального диска с вогнутым центром/Мультидиска (дополнительная принадлежность)

⚠️ ПРЕДУПРЕЖДЕНИЕ:

- При эксплуатации инструмента с диском с углубленным центром/многофункциональным диском всегда используйте поставляемое с инструментом ограждение. Во время работы диск может разрушиться, и ограждение помогает снизить риск получения травмы.

Рис.10

Установите внутренний фланец на шпindel. Наденьте диск/круг на внутренний фланец и вкрутите стопорную гайку на шпindel.

Суперфланец

Модели с буквой F стандартно комплектуются быстрозажимным фланцем. По сравнению с обычным типом для откручивания гайки требуется только 1/3 обычного усилия.

Для Австралии и Новой Зеландии

Рис.11

Установите внутренний фланец на шпindel. Установите диск/круг на внутренний фланец и закрутите стопорную гайку выступом вниз (по направлению к диску).

Рис.12

Для затяжки стопорной гайки, сильно надавите на замок вала, чтобы шпindel не проворачивался, затем воспользуйтесь ключом стопорной гайки и крепко затяните ее по часовой стрелке.

Для снятия диска выполните процедуру установки в обратном порядке.

Установка или снятие абразивного диска (дополнительная принадлежность)

Примечание:

- Используйте принадлежности для шлифования, указанные в данном руководстве. Их следует приобрести отдельно.

Рис.13

Установите на шпindel резиновую площадку. Установите диск на резиновую площадку и закрутите стопорную гайку на шпинделе. Для затяжки стопорной гайки, сильно надавите на замок вала, чтобы шпindel не проворачивался, затем воспользуйтесь ключом стопорной гайки и крепко затяните ее по часовой стрелке.

Для снятия диска выполните процедуру установки в обратном порядке.

ЭКСПЛУАТАЦИЯ

⚠️ ПРЕДУПРЕЖДЕНИЕ:

- Никогда не прилагайте к инструменту усилий. Вес инструмента создает адекватное давление. Чрезмерное усилие и давление могут привести к опасному разрушению диска.
- ВСЕГДА меняйте диск, если при шлифовании инструмент упал.
- НИКОГДА не ударяйте и не бейте шлифовальный диск или круг об обрабатываемую деталь.
- Избегайте подпрыгивания и зацепления диска, особенно при обработке углов, острых краев и т.д. Это может привести к потере управления и отдаче.
- НИКОГДА не используйте инструмент с полотнами для резки по дереву и другими пыльными дисками. При использовании с шлифовальным инструментом такие полотна часто отсакаивают и приводят к потере управления, результатом чего могут быть травмы.

⚠️ ПРЕДУПРЕЖДЕНИЕ:

- Никогда не включайте инструмент, если он касается обрабатываемого изделия. Это может стать причиной травмы оператора.
- Во время выполнения операции всегда надевайте защитные очки или защитную маску.
- После работы всегда отключайте инструмент и дождитесь полной остановки диска перед тем, как положить инструмент.

Шлифовка и зачистка

Рис.14

ВСЕГДА крепко держите инструмент одной рукой за заднюю рукоятку, а другой за боковую рукоятку. Включите инструмент и поднесите круг или диск к обрабатываемой детали.

В общем плане, держите край круга или диска под углом примерно в 15 градусов к поверхности обрабатываемой детали.

В период проникновения с использованием нового диска, не работайте с инструментом в направлении В, иначе он врежется в обрабатываемую деталь. После того, как край диска закрутился по причине использования, диск можно использовать и в направлении А, и в направлении В.

Выполнение работ с чашечной проволочной щеткой (дополнительная принадлежность)

⚠️ ПРЕДУПРЕЖДЕНИЕ:

- Проверьте работу щетки, запустив инструмент на холостом ходу, предварительно убедившись, что никто не находится перед ним или на одной линии со щеткой.

- Не используйте поврежденную или разбалансированную щетку. Использование поврежденной щетки может увеличить опасность получения травм от контакта с проволокой.

Рис.15

Отключите инструмент от питания и расположите его дисковой частью вверх, что позволит легко получить доступ к шпинделю. Снимите со шпинделя все дополнительные принадлежности. Установите чашечную проволочную щетку на шпиндель и затяните ее с помощью поставляемого с инструментом ключа. При использовании щетки старайтесь не прикладывать к ней чрезмерное давление, поскольку в таком случае проволока может погнуться, что преждевременно приведет щетку в негодность.

Выполнение работ с дисковой проволочной щеткой (дополнительная принадлежность)

⚠ ПРЕДУПРЕЖДЕНИЕ:

- Проверьте работу дисковой проволочной щетки, запустив инструмент на холостом ходу, предварительно убедившись, что никто не находится перед ним или на одной линии с дисковой проволочной щеткой.
- Не используйте поврежденную или разбалансированную дисковую проволочную щетку. Использование поврежденной дисковой проволочной щетки может увеличить опасность получения травм от контакта с проволокой.
- При работе с дисковой проволочной щеткой ВСЕГДА используйте защитный кожух, убедившись, что диаметр диска соответствует внутреннему диаметру кожуха. Во время работы диск может разрушиться, защитный кожух в таком случае снизит риск получения травм.

Рис.16

Отключите инструмент от питания и расположите его дисковой частью вверх, что позволит легко получить доступ к шпинделю. Снимите со шпинделя все дополнительные принадлежности. Установите дисковую проволочную щетку на шпиндель и затяните ее с помощью ключей.

При использовании дисковой проволочной щетки старайтесь не прикладывать к ней чрезмерное давление, поскольку в таком случае проволока может погнуться, что преждевременно приведет щетку в негодность.

Выполнение работ с абразивным отрезным диском/алмазным диском (дополнительная принадлежность)

⚠ ПРЕДУПРЕЖДЕНИЕ:

- При использовании абразивного отрезного круга/алмазного круга может применяться только специальный защитный кожух, предназначенный для отрезных кругов. (В Европе при использовании алмазного круга можно использовать обычное ограждение.)
- НЕЛЬЗЯ использовать отрезной круг для шлифовки боковой поверхности.
- Не "заклинивайте" круг и не прикладывайте к нему чрезмерное давление. Не пытайтесь чрезмерно увеличить глубину резания. Перенапряжение круга увеличивает его нагрузку и восприимчивость к прихватуванию в прорези, а также возможность отдачи, поломки круга и перегрева электродвигателя.
- Не запускайте отрезной круг, пока он находится в детали. Дайте кругу раскрутиться до максимальной скорости, а затем осторожно введите в разрез, перемещая инструмент вперед по поверхности обрабатываемой детали. При перезапуске электроинструмента, углубившегося в деталь, возможно прихватувание круга, его выскакивание или отдача.
- Во время операций резания нельзя менять угол наклона круга. Боковое давление на отрезной круг (как при шлифовке) приводит к растрескиванию и разрушению круга, в результате чего возможны серьезные травмы.
- Работы с алмазным диском необходимо выполнять, удерживая его перпендикулярно к рабочей поверхности.

Установите внутренний фланец на шпиндель. Наденьте диск/круг на внутренний фланец и вкрутите стопорную гайку на шпиндель.

Рис.17

Для Австралии и Новой Зеландии

Порядок установки или снятия абразивного отрезного диска/алмазного диска (дополнительная принадлежность)

Рис.18

ТЕХОБСЛУЖИВАНИЕ

⚠ ПРЕДУПРЕЖДЕНИЕ:

- Перед проверкой или проведением техобслуживания всегда проверяйте, что инструмент выключен, а штекер отсоединен от розетки.

- Запрещается использовать бензин, лигроин, растворитель, спирт и т.п. Это может привести к изменению цвета, деформации и появлению трещин.

Рис.19

Инструмент и его вентиляционные отверстия должны содержаться в чистоте. Производите регулярную очистку вентиляционных отверстий инструмента, или очищайте их в том случае, если отверстия станут засоряться.

Замена угольных щеток

Рис.20

Когда полимерный изоляционный наконечник внутри угольной щетки оголится и соприкоснется с коммутатором, он автоматически отключит двигатель. Когда это произойдет, необходимо заменить обе угольные щетки. Содержите угольные щетки в чистоте и в свободном для скольжения в держателях положении. При замене необходимо менять обе угольные щетки одновременно. Используйте только одинаковые угольные щетки.

Рис.21

Используйте отвертку для снятия крышек щеткодержателей. Извлеките изношенные угольные щетки, вставьте новые и закрутите крышки щеткодержателей.

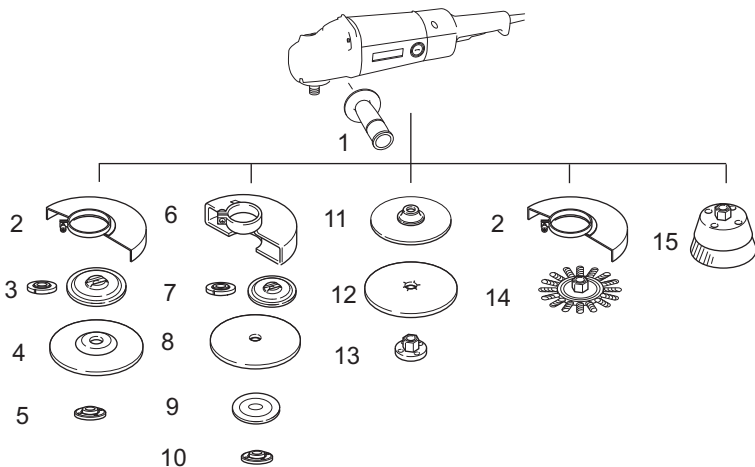
Для обеспечения БЕЗОПАСНОСТИ и НАДЕЖНОСТИ оборудования, ремонт, любое другое техобслуживание или регулировку необходимо производить в уполномоченных сервис-центрах Makita, с использованием только сменных частей производства Makita.

ДОПОЛНИТЕЛЬНЫЕ АКСЕССУАРЫ

⚠️ ПРЕДУПРЕЖДЕНИЕ:

- Эти принадлежности или насадки рекомендуется использовать вместе с вашим инструментом Makita, описанным в данном руководстве. Использование каких-либо других принадлежностей или насадок может представлять опасность получения травм. Используйте принадлежность или насадку только по указанному назначению.

Если вам необходимо содействие в получении дополнительной информации по этим принадлежностям, свяжитесь со своим местным сервис-центром Makita.



1	Боковая ручка
2	Защитный кожух для шлифовального диска с углубленным центром / многофункционального диска / дисковой проволочной щетки
3	Внутренний фланец/Суперфланец/Внутренний фланец 102 (только для Австралии и Новой Зеландии)
4	Шлифовальный диск с вогнутым центром/Мультидиск
5	Стопорная гайка/Гайка Ezynut*1
6	Защитный кожух для абразивного отрезного диска / алмазного диска*2
7	Внутренний фланец/Суперфланец/Внутренний фланец 78 (только для Австралии и Новой Зеландии)
8	Абразивный отрезной диск/Алмазный диск
9	Внешний фланец 78 (только для Австралии и Новой Зеландии)*3
10	Стопорная гайка/Гайка Ezynut*1
11	Резиновая подушка
12	Абразивный диск
13	Шлифовальная стопорная гайка
14	Дисковая проволочная щетка
15	Крышка с проводом щетки
—	Ключ стопорной гайки
—	Пылезащитная крышка

*1 Не используйте суперфланец с гайкой Ezynut.

*2 В Европе при использовании алмазного круга можно использовать обычное ограждение вместо специального, закрывающего обе стороны круга.

*3 Используйте внутренний фланец 78 с внешним фланцем 78. (Только для Австралии и Новой Зеландии)

011513

Примечание:

- Некоторые элементы списка могут водить в комплект инструмента в качестве стандартных

приспособлений. Они могут отличаться в зависимости от страны.

УКРАЇНСЬКА (Оригінальні інструкції)

Пояснення до загального виду

1-1. Фіксатор	10-1. Контргайка	17-4. Кожух диска для абразивного відрізного диска/алмазного диска
2-1. Корпус двигуна	10-2. Диск з увігнутим центром	
2-2. Фіксатор	10-3. Супер фланець	
2-3. Ручка	10-4. Внутрішній фланець	18-1. Контргайка
3-1. Стопорний важіль	11-1. Контргайка	18-2. Зовнішній фланець 78
3-2. Кнопка вимикача	11-2. Диск з увігнутим центром	18-3. Абразивний відрізняючий диск/ алмазний диск
4-1. Стопорний важіль	11-3. Внутрішній фланець	18-4. Внутрішній фланець 78
4-2. Кнопка вимикача	12-1. Ключ для контргайки	18-5. Кожух диска для абразивного відрізного диска/алмазного диска
5-1. Лампочка індикатора	12-2. Фіксатор	
7-1. Кожух диска	13-1. Контргайка	19-1. Повітровідвід
7-2. Гвинт	13-2. Абразивний диск	19-2. Вдихальний клапан
7-3. Коробка підшипника	13-3. Гумова підкладка	20-1. Комутатор
8-1. Кожух диска	15-1. Чашоподібна дротяна щітка	20-2. Ізолюючий наконечник
8-2. Коробка підшипника	16-1. Дискава дротяна щітка	20-3. Графітова щітка
8-3. Гайка	17-1. Контргайка	21-1. Ковпачок щіткотримача
8-4. Важіль	17-2. Абразивний відрізняючий диск/ алмазний диск	21-2. Викрутка
9-1. Гайка	17-3. Внутрішній фланець	
9-2. Важіль		

ТЕХНІЧНІ ХАРАКТЕРИСТИКИ

Модель	GA7020R	GA7030R	GA7040R	GA9020R	GA9030R	GA9040R
Діаметр диска з увігнутим центром	180 мм			230 мм		
Макс. товщина диска	6,5 мм	6,5 мм	6,5 мм	6,5 мм	6,5 мм	6,5 мм
Різьба шпинделя	M14					
Номінальна швидкість (n) / швидкість без навантаження (n ₀)	8500(xв ⁻¹)			6600(xв ⁻¹)		
Загальна довжина	473 мм	503 мм		473 мм	503 мм	
Чиста вага	5,6 кг	6,3 кг	6,6 кг	5,8 кг	6,5 кг	6,9 кг
Клас безпеки	□/II					

- Через те, що ми не припиняємо програми досліджень і розвитку, наведені тут технічні характеристики можуть бути змінені без попередження.
- У різних країнах технічні характеристики можуть бути різними.
- Вага відповідно до EPTA-Procedure 01/2003

ENE048-1

Призначення

Інструмент призначений для шліфування, обробки піском та різання металу та каміння без використання води.

ENF002-2

Джерело живлення

Інструмент можна підключати лише до джерела живлення, що має напругу, зазначену в таблиці із заводськими характеристиками, і він може працювати лише від однофазного джерела змінного струму. Він має подвійну ізоляцію, а отже може також підключатися до розеток без дроту заземлення.

ENG905-1

Шум

Рівень шуму за шкалою А у типовому виконанні, визначений відповідно до EN60745:

Рівень звукового тиску (L_{РА}): 90 дБ (А)
Рівень акустичної потужності (L_{WA}): 101 дБ (А)
Похибка (K): 3 дБ (А)

Користуйтеся засобами захисту слуху

ENG900-1

Вібрація

Загальна величина вібрації (сума трьох векторів) визначена згідно з EN60745:

Модель GA7020R

Режим роботи: полірування поверхні
Вібрація (a_{h,AG}): 8,0 м/с²
Похибка (K): 1,5 м/с²

Режим роботи: шліфування за допомогою диску
Вібрація (a_{h,DS}): 3,0 м/с²
Похибка (K): 1,5 м/с²

інструмент вимкнено та коли він починає працювати на холостому ході під час запуску).

ENH101-17

Модель GA7030R

Режим роботи: полірування поверхні
Вібрація ($a_{h,AG}$): $6,5 \text{ м/с}^2$
Похибка (K): $1,5 \text{ м/с}^2$

Режим роботи: шліфування за допомогою диску
Вібрація ($a_{h,DS}$): $3,5 \text{ м/с}^2$
Похибка (K): $1,5 \text{ м/с}^2$

Модель GA7040R

Режим роботи: полірування поверхні
Вібрація ($a_{h,AG}$): $7,0 \text{ м/с}^2$
Похибка (K): $1,5 \text{ м/с}^2$

Режим роботи: шліфування за допомогою диску
Вібрація ($a_{h,DS}$): $3,0 \text{ м/с}^2$
Похибка (K): $1,5 \text{ м/с}^2$

Модель GA9020R, GA9040R

Режим роботи: полірування поверхні
Вібрація ($a_{h,AG}$): $6,0 \text{ м/с}^2$
Похибка (K): $1,5 \text{ м/с}^2$

Режим роботи: шліфування за допомогою диску
Вібрація ($a_{h,DS}$): $2,5 \text{ м/с}^2$ або менше
Похибка (K): $1,5 \text{ м/с}^2$

Модель GA9030R

Режим роботи: полірування поверхні
Вібрація ($a_{h,AG}$): $5,5 \text{ м/с}^2$
Похибка (K): $1,5 \text{ м/с}^2$

Режим роботи: шліфування за допомогою диску
Вібрація ($a_{h,DS}$): $2,5 \text{ м/с}^2$ або менше
Похибка (K): $1,5 \text{ м/с}^2$

ENG902-1

- Заявлене значення вібрації було виміряно у відповідності до стандартних методів тестування та може використовуватися для порівняння одного інструмента з іншим.
- Заявлене значення вібрації може також використовуватися для попередньої оцінки впливу.
- Заявлене значення вібрації відноситься до основних операцій, що виконуються за допомогою електроінструмента. Однак у разі використання інструмента з іншою метою значення вібрації може відрізнитися.

УВАГА:

- Залежно від умов використання вібрація під час фактичної роботи інструмента може відрізнитися від заявленого значення вібрації.
- Забезпечте належні запобіжні заходи для захисту оператора, що відповідатимуть умовам використання інструмента (слід брати до уваги всі складові робочого циклу, такі як час, коли

Тільки для країн Європи

Декларація про відповідність стандартам ЄС

Компанія Makita наголошує на тому, що обладнання:

Позначення обладнання:

Кутова шліфувальна машина

№ моделі/тип: GA7020R, GA7030R, GA7040R, GA9020R, GA9030R, GA9040R

Відповідає таким Європейським Директивам:
2006/42/EC

Обладнання виготовлене відповідно до таких стандартів або стандартизованих документів:

EN60745

Технічну інформацію відповідно до 2006/42/EC можна отримати:

Makita, Jan-Baptist Vinkstraat 2, 3070, Бельгія

31.12.2013



000331


Ясуші Фукайя

Директор

Makita, Jan-Baptist Vinkstraat 2, 3070, Бельгія

GEA010-1

Застереження стосовно техніки безпеки при роботі з електроприладами

 **УВАГА!** Прочитайте усі застереження стосовно техніки безпеки та всі інструкції. Недотримання даних застережень та інструкцій може призвести до ураження струмом та виникнення пожежі та/або серйозних травм.

Збережіть усі інструкції з техніки безпеки та експлуатації на майбутнє.

ПОПЕРЕДЖЕННЯ ПРО НЕОБХІДНУ ОБЕРЕЖНІСТЬ ПІД ЧАС РОБОТИ З КУТОВОЮ ШЛІФУВАЛЬНОЮ МАШИНОЮ

Попередження про безпеку загальні для операцій полірування, шліфування, зачищення металевою щіткою або абразивного різання:

1. Цей інструмент призначений для використання у якості машини для шліфування, полірування, зачищення металевою щіткою або відрізання. Уважно ознайомся з усіма попередженнями про безпеку, інструкціями, ілюстраціями та технічними характеристиками цього електроінструменту. Невиконання цих інструкцій може призвести до ураження електричним струмом, пожежі та/або серйозного поранення.
2. За допомогою цього інструменту не рекомендовано виконувати полірування. Використання інструменту не за призначенням може утворити небезпечно становище та призвести до поранення.
3. Не слід використовувати допоміжні приналежності, які спеціально не призначені та не рекомендовані для цього інструменту виробником. Навіть якщо вони добре приєднуються до інструменту, це не гарантує безпечної експлуатації.
4. Номінальна швидкість допоміжних пристроїв повинна щонайменш дорівнюватися максимальній швидкості, що вказана на електроінструменті. Допоміжні пристрої, що обертається швидше своєї номінальної швидкості може зламатися та відскочити.
5. Зовнішній діаметр та товщина вашого допоміжного приладу повинні бути у межах паспортної потужності вашого електроінструменту. Приладдя неналежних розмірів не можна захистити або контролювати належним чином.
6. Різьба на кріпленні приладдя повинна відповідати різьбі на шпindelі шліфувальної машини. Центровий отвір приладдя, що встановлюється на фланець, повинен відповідати установочному діаметру фланця. Якщо приладдя не підходить до кріпильних засобів електроінструмента, це може призвести до надмірної вібрації та втрати контролю над інструментом внаслідок розбалансування приладдя.
7. Не слід користуватися пошкодженим приладдям. Перед кожним використанням слід перевірити приладдя, таку як абразивні диски, на наявність сколів або тріщин, зносу, а металеві щітки - на наявність послабленого або тріснутого дроту. У разі падіння інструменту або приладдя, слід оглянути їх на наявність пошкоджень або встановити неушкоджене приладдя. Після огляду та встановлення приладдя, слід зайняти таке положення, коли ви та ваші сусіди знаходяться на відстані від площини приладу, що обертається, запустіть інструмент та дайте йому попрацювати на максимальній швидкості без навантаження протягом однієї хвилини. Під час цього пробного прогону прилади, як правило, руйнується.
8. Слід надягати засоби індивідуального захисту. Відповідно до області застосування необхідно користуватися захисним щитком або захисними окулярами. Це означає, що слід надягати пилозахисну маску, засоби захисту органів слуху, рукавиці та фартух, які здатні затримувати дрібні часточки деталі або наждаку. Засоби захисту органів зору повинні бути здатними затримувати сміття, що утворюється під час виконання різних операцій. Пилозахисна маска або респіратор мають фільтрувати часточки, що утворюються під час роботи. Тривалий вплив сильного шуму може призвести до втрати слуху.
9. Сторонні особи повинні знаходитися на безпечному відстані від місця роботи. Кожний, хто приходить в робочу зону повинен одягати засоби індивідуального захисту. Частки деталі або уламки приладдя може відлетіти за межі безпосередньої зони роботи та поранити.
10. Тримайте електроприлад за ізольовані поверхні ручки під час виконання дії, при якій ріжучий прилад може зачепити сховану електропроводку або власний шнур. Торкання ріжучим приладом струмоведучої проводки може призвести до передачі напруги до оголених металевих частин інструмента та до ураження оператора електричним струмом.
11. Шнур слід розміщувати без змуючого пристрою. Якщо ви втратите контроль, шнур може бути перерізаним або пошкодженим а ваша рука може потрапити до змуючого пристрою.
12. Не слід класти інструмент доки прилад повністю не зупиниться. Змуючий пристрій може захопити шнур та виврати його з-під контролю.
13. Не слід запускати інструмент, коли ви його тримаєте збоку себе. Випадкове стикання зі працюючим пристроєм може захопити ваш одяг, що в свою чергу може призвести до руху приладу до вас.

14. **Слід регулярно чистити вентиляційні отвори інструменту.** Вентилятор двигуна втягує пил усередину кожуха, а надмірне скупчення металевого порошку створює ризик ураження електричним струмом.
15. **Не слід працювати біля легкозаймистих матеріалів.** Вони можуть спалахнути від іскри.
16. **Не слід застосовувати допоміжне приладдя, що потребує рідких охолоджувачів.** Використання води, або рідких охолоджувачів може призвести по ураження електричним струмом або смерті.

Віддача та відповідні попереджувальні заходи

Віддача це несподівана реакція на защемлення, чіплення диска, щітки, що обертається або якогось іншої приналежності. Защемлення або чіплення призводять до швидкої зупинки поворотної приналежності, що в свою чергу спричиняє до неконтрольованого відскоку інструменту у протилежному напрямку від обертання приналежності у місці заїдання.

Наприклад, якщо абразивний диск защемлене або зачеплене деталлю, край диска, що входить до місця защемлення може зануритися в поверхню матеріалу, що призведе до відскоку диска та віддачі. Диск може відскочити до або від оператора, це залежить від напрямку руху диска в місці защемлення. За таких умов абразивні диски можуть поламатися.

Причинами віддачі є неправильне користування інструментом та/або неправильний порядок експлуатації або умови експлуатації, та їх можна уникнути дотримуючись запобіжних заходів, що наведені нижче:

- a) **Міцно тримай ручку інструменту та займи таке положення, при якому зможеш протистояти силі віддачі. Завжди користайся допоміжною ручкою, якщо є, щоб збільшити до максимуму контроль над віддачею або реакцією крутного моменту під час пуску.** Якщо дотримуватись усіх запобіжних заходів, оператор зможе контролювати крутний момент або силу віддачі.
- b) **Ніколи не слід розміщувати руку біля приналежності, що обертається.** Воно може відскочити на руку.
- c) **Не слід стояти в зоні, куди відкине інструмент під час віддачі.** Через віддачу інструмент відскочить у протилежному напрямку до напрямку руху диска в місці защемлення.
- d) **Слід бути особливо пильним під час обробки кутів, гострих країв і т.д. Уникайте коливання та чіплення приналежності.** Кути, гої краї або коливання мають тенденцію до чіплення приладдя, що обертається, що в свою чергу призводить до втрати контролю та віддачі.
- e) **Заборонено встановлювати пильний ланцюг, полотно для різби по дереву або**

полотно зубчастої пили. Такі полотна створюють часту віддачу та призводять до втрати контролю.

Попередження про небезпеку загальні для операцій полірування та абразивного різання:

- a) **Використовуйте тільки типи дисків, які рекомендовані для вашого інструмента, а також спеціальний кожух під обраний диск.** Диски, на які інструмент не розрахований, не можуть бути надійно закріплені та є небезпечними.
- b) **Шліфувальна поверхня дисків із поглибленим центром повинна бути розташована під поверхню кромки кожуха.** Якщо диск буде установлений невірно та виступатиме за поверхню кромки кожуха, відповідний захист не може бути гарантований.
- c) **Кожух повинен бути надійно закріплений на електроприладі та розташований максимально безпечно, щоб для оператора диск був відкритим якомога менше.** Кожух допомагає захистити оператора від уламків зламаного диска, від випадкового контакту з диском та від іскор, через які може зайнятися одяг.
- d) **Диски слід використовувати тільки за їхнім рекомендованим призначенням.** Наприклад: не слід шліфувати бічною стороною відрізного диска. Абразивні відрізані диски призначені для шліфування периферією диска; у разі докладання бічних зусиль до цих дисків, вони можуть розколотися.
- e) **Слід завжди використовувати неущкожені фланці диска, розмір та форма яких відповідають обраному диску.** Належні фланці добре утримують диск і зменшують ймовірність поломки диска. Фланці для відрізних дисків можуть відрізнятись від фланців шліфувальних дисків.
- f) **Не слід використовувати зношені диски від більших інструментів.** Диск, що призначений для більшого інструмента, не підходить до вищої швидкості меншого інструмента та може розірватися.

Додаткові попередження про небезпеку загальні для операцій полірування та абразивного різання:

- a) **Не можна «заклинювати» відрізняй диск або прикладати надмірний тиск. Не слід намагатись зробити проріз надмірної глибини.** Перенапруга диска збільшує навантаження та схильність до перекошування або застрягання диска в прорізі, а також створює можливість віддачі або поломки диска.
- b) **Неможна розташовуватись на одній лінії та позаду диска, що обертається.** Коли під час роботи диск рухається від вас, то можлива віддача може відкинути диск, що обертається, та інструмент прямо у вас.

с) Коли диск застряє або коли різання з будь-яких причин переривається, слід вимкнути інструмент та тримати його на одному місці, доки диск повністю не зупиниться. Неможна намагатись вийняти відрізний диск з прорізу, коли він рухається, тому що це може призвести до віддачі. Слід перевірити та вжити належних заходів, щоб усунути причину застрявання диска.

д) Заборонено заново починати різання, коли диск знаходиться в деталі. Спочатку диск повинен набрати повної швидкості, лише потім його можна обережно піднести до робочої деталі та продовжити різання. Якщо інструмент перезапустити, коли диск знаходиться в деталі, диск може застрягти, сіпнутися або спричинити віддачу.

е) Закріпіть великі панелі або деталі великого розміру для того, щоб мінімізувати ризик заземлення полотна або віддачі. Великі деталі прогинаються під своєю вагою. Опори слід встановити під деталь біля лінії різання та біля краю деталі панелі з обох сторін диска.

ф) З особливою обережністю слід виконувати "врізання" в існуючі стіни або інші невидимі зони. Виступаючий диск може зіткнутися з предметами, що спричинять віддачу.

Спеціальні Запобіжні засоби під час шліфування:

а) Заборонено використовувати папір для шліфувального диска занадто великого розміру. Вибираючи наждачний папір слід виконувати рекомендації виробника. Наждачний папір, що виступає за межі шліфувальної підкладки, створює небезпеку завдання рваної рани та може призвести до провисання, розриву диска або до віддачі.

Спеціальні застереження для операцій зачищення металевою щіткою:

а) Слід бути обережним, оскільки від щітки відлітають осколки дроту, навіть під час звичайної роботи. Заборонено перенапружувати дріт, прикладаючи завелике навантаження на щітку. Уламки дроту пробивають легку одягу та/або шкіру.

б) Якщо для роботи із металевою щіткою рекомендовано використовувати кожух, слід запобігти контактowi між щіткою та кожухом. Металевий диск або щітка можуть розширитись в діаметрі від робочого навантаження та відцентрових сил.

Додаткові попередження про безпеку:

17. У разі використання шліфувальних дисків із увігнутим центом слід завжди використовувати диски, армовані скловолокном.

18. **НИКОЛИ НЕ ВИКОРИСТОВУЙТЕ** з цією шліфувальною машиною чашоподібні шліфувальні диски по каменю. Ця шліфувальна машина не призначена для використання дисків такого типу, і їх використання може призвести до серйозних травм.
19. Не пошкоджуйте шпindelю, фланець (особливо поверхню встановлення) або контргайку. Пошкодження цих частин може призвести до поломки диска.
20. Перевірте, щоб диск не торкався деталі перед увімкненням.
21. Перед початком різання деталі, запустіть інструмент та дайте попрацювати йому деякий час. Перевірте чи є биття або коливання, це може вказувати на неправильне встановлення або балансування диска.
22. Слід застосовувати зазначену поверхню диска для шліфування.
23. Не залишайте інструмент працюючим. Працюйте з інструментом тільки тоді, коли тримаєте його в руках.
24. Не торкайтесь деталі одразу після різання, вона може бути дуже гарячою та призвести до опіку шкіри.
25. Для того, щоб правильно встановити та використовувати диск, слід дотримуватись інструкцій виробника. Слід дбайливо поводитися та зберігати диск.
26. Не слід використовувати окремі перехідні втулки або адаптери для пристосування шліфувальних дисків великого діаметру.
27. Слід застосовувати тільки фланці зазначені для цього інструменту.
28. При використанні інструментів призначених для дисків з різьбовим отвором, обов'язково перевірте, щоб довжина різьби диска відповідала довжині шпindelю.
29. Перевірте надійність опори деталі.
30. Слід звернути увагу, що диск продовжує обертатися після вимкнення інструменту.
31. Для забезпечення безпеки оператора слід застосовувати автоматичний вимикач (30mA), якщо робоче місце надмірно гаряче та вологе, або дуже забруднюється пилом.
32. Не слід застосовувати інструмент для роботи з матеріалом, що містить азбест.
33. Якщо ви використовуєте відрізний шліфувальний диск, завжди слід працювати з пилозахисним кожухом диска, необхідним за місцевими нормами.
34. Не слід надавати бокового тиску на ріжучі диски.

ЗБЕРІГАЙТЕ ЦІ ВКАЗІВКИ.

⚠УВАГА:

НИКОЛИ НЕ СЛІД втрачати пильності та розслаблюватися під час користування виробом (що трапляється при частому використанні); слід завжди строго дотримуватися правил безпеки під час використання цього пристрою. **НЕНАЛЕЖНЕ ВИКОРИСТАННЯ** або недотримання правил безпеки, викладених в цьому документі, може призвести до серйозних травм.

ІНСТРУКЦІЯ З ВИКОРИСТАННЯ

⚠ОБЕРЕЖНО:

- Перед регулюванням та перевіркою справності інструменту, переконайтеся в тому, що він вимкнений та відключений від мережі.

Фіксатор

⚠ОБЕРЕЖНО:

- Заборонено використовувати блокування вала, коли шпindel обертається. Інструмент може пошкодитись.

мал.1

Натисніть на блокування вала для того, щоб заблокувати обертання шпінделя під час встановлення або зняття приналежностей.

Положення встановлення ручки

перемикача

(Для моделей GA7030R, GA7040R, GA9030R та GA9040R)

мал.2

Ручку перемикача можна обертати на 90° вліво або вправо для зручності під час роботи. Спочатку вимкніть інструмент з сіті. Натисніть на кнопку блокування та поверніть ручку перемикача вліво або вправо. Ручка перемикача буде заблокована в такому положенні.

⚠ОБЕРЕЖНО:

- Перед початком роботи слід завжди перевіряти, щоб ручка перемикача була заблокована в необхідному положенні.

Дія вимикача

⚠ОБЕРЕЖНО:

- Перед вмиканням інструменту у мережу обов'язково перевірте, чи кнопка вимикача нормально спрацьовує і після відпускання повертається в положення "вимкнено".

мал.3

Для інструмента із перемикачем блокування увімкненого положення

Для того, щоб запустити інструмент, слід просто натиснути на курок вмикача (напрямок "В"). Для зупинення роботи курок слід відпустити. Для безперервної роботи слід натиснути на курок вмикача (в напрямку "В"), а потім - на важіль блокування (в напрямку "А"). Для того, щоб зупинити інструмент із заблокованого положення, слід повністю натиснути на курок вмикача (в напрямку "В"), а потім відпустити його.

Для інструмента із перемикачем блокування увімкненого та вимкненого положення

мал.4

Для запобігання раптовому натисканню курка вмикача передбачено важіль блокування.

Щоб запустити інструмент спочатку слід пересунути важіль блокування (у напрямку А), а потім натиснути на курок вмикача (у напрямку В). Для зупинення роботи курок слід відпустити.

Для безперервної роботи слід пересунути важіль блокування (у напрямку А), натиснути на курок вмикача (у напрямку В), а потім пересунути важіль блокування (у напрямку С).

Для того щоб зупинити інструмент із зафіксованого положення, слід повністю натиснути на курок вмикача (у напрямку В), а потім відпустити його.

Лампочка індикатора

мал.5

Коли інструмент вмикають до сіті, загоряється зелена індикаторна лампочка. Якщо лампочка індикатора не загоряється, то шнур живлення або контролер можуть бути дефектними. Якщо індикаторна лампа горить, але інструмент не запускається, навіть якщо він увімкнений, то це може означати, що зношені графітові щітки або є дефект в контролері, моторі або вмикачеві.

Захист від випадкового запуску

Навіть якщо важіль блокування утримує курок в натиснутому положенні (заблоковане увімкнене положення), інструмент не буде запускатись, коли його увімкнуть до мережі.

В цей момент почне мигати індикаторна лампочка, що вказуватиме, що спрацював пристрій захисту від випадкового запуску.

Для відключення захисту від випадкового запуску слід повністю натиснути на курок, а потім відпустити його.

Функція плавного запуску

Ці моделі запускаються повільно при увімкненні. Такий повільний пуск забезпечує більш плавну роботу.

КОМПЛЕКТУВАННЯ

⚠ОБЕРЕЖНО:

- Перед тим, як зайнятися комплектуванням інструменту, переконайтеся в тому, що він вимкнений та відключений від мережі.

Установка бокової рукоятки

⚠ОБЕРЕЖНО:

- Перед початком роботи необхідно перевірити надійність кріплення бокової рукоятки.

мал.6

Надійно пригвинтіть ручку к інструменту, як показано на малюнку.

Встановлення або зняття захисного кожуха (для диска з поглибленим центром, універсального диска, дискової дротяної щітки / абразивного відрізного диска, алмазного диска)

⚠УВАГА:

- При використанні шліфувального диска з поглибленим центром / універсального диска, гнучкого диска або дискової дротяної щітки встановіть захисний кожух таким чином, щоб закрита сторона кожуха була спрямована до оператора.
- Під час застосування абразивного відрізного диска/алмазного диска обов'язково використовуйте тільки спеціальні захисні кожухи диска, розроблені для використання з відрізними дисками (у країнах Європи під час застосування алмазного диска можна використовувати звичайний захисний кожух).

Для інструмента із захисним кожухом диска із стопорним гвинтом

мал.7

Встановіть кожух диска, сумістивши виступ на ободі кожуха із прорізом на корпусі підшипника. Потім поверніть кожух диска на такий кут, щоб він захищав оператора згідно робіт, що він виконує. Перевірте, щоб гвинт був надійно затягнутий.

Для того, щоб зняти кожух диска, виконайте процедуру його встановлення у зворотному порядку.

Для інструмента з кожухом диска із затисним важелем

мал.8

мал.9

Послабте важіль на кожусі диска. Встановіть кожух диска, сумістивши виступ на ободі кожуха із прорізом на корпусі підшипника. Потім поверніть кожух диска в положення, як показано на малюнку. Затягніть важіль для закріплення кожуха диска. Якщо важіль фіксації кожуха затягнутий занадто сильно або слабо, слід послабити або затягнути гайку, щоб відрегулювати затягування ободу кожуха диска.

Для того, щоб зняти кожух диска, виконайте процедуру його встановлення у зворотному порядку.

Встановлення або зняття абразивного диска з увігнутим центром / багатоцільового диска (приладдя)

⚠УВАГА:

- Слід завжди користуватися кожухом, що поставляється в комплекті, коли використовується абразивний диск з увігнутим центром / багатоцільовий диск. Під час використання диск може розколотись, а кожух зменшує ризик поранення.

мал.10

Встановіть внутрішній фланець на шпindelь. Встановіть диск на внутрішній фланець та наверхній контргайку на шпindelь.

Супер фланець

Моделі з літерою F стандартно обладнані суперфланцем. У порівнянні зі стандартним типом тільки 1/3 від зусиль необхідно, щоб відпустити контргайку.

Для Австралії та Нової Зеландії

мал.11

Встановіть внутрішній фланець на шпindelь. Встановіть диск на внутрішній фланець та закрутіть контргайку виступом униз (у напрямку диска).

мал.12

Для того, щоб затягнути контргайку, слід міцно натиснути на блокування вала, щоб шпindelь не міг обертатись, а потім скористатись ключем для контргайки та надійно її затягнути по годинниковій стрілці.

Для того, щоб зняти диск, виконайте процедуру його встановлення у зворотному порядку.

Встановлення або зняття абразивного диска (додаткове приладдя)

ПРИМІТКА:

- Використовуйте приналежності для шліфувальної машини, які описані в цій інструкції. Їх треба купувати окремо.

мал.13

Встановіть гумову підкладку на шпindelь. Встановіть диск на гумову підкладку та наверхній контргайку на шпindelь. Для того, щоб затягнути контргайку, слід міцно натиснути на блокування вала, щоб шпindelь не міг обертатись, а потім скористатись ключем для контргайки та надійно її затягнути по годинниковій стрілці.

Для того, щоб зняти диск, виконайте процедуру встановлення у зворотному порядку.

ЗАСТОСУВАННЯ

⚠УВАГА:

- До інструмента ніколи не треба прикладати силу. Маса інструмента забезпечує достатній тиск. Прикладання сили та надмірний тиск можуть призвести до небезпечної поломки диска.
- ЗАВЖДИ замінійте диск, якщо інструмент був упущений під час роботи.
- НІКОЛИ не стукайте та не бийте диском по деталі, що оброблюється.
- Уникайте биття та чіпання диска, особливо під час обробки кутів, гострих країв та ін. Це може призвести до втрати контролю та віддачі.

- НІКОЛИ не використовуйте інструмент із відрізним диском для деревини та іншими полотнами для пил. У разі використання на шліфувальних машинах такі полотна часто дають віддачу та призводять до втрати контролю та пораненням.

⚠ОБЕРЕЖНО:

- Заборононо вмикати інструмент, коли він торкається деталі, оскільки це може призвести до поранення оператора.
- Для роботи слід завжди вдягати захисні окуляри або захисний щиток для обличчя.
- Після закінчення роботи слід завжди вимикати інструмент та зачекати, доки диск не зупиниться повністю, перед тим, як його класти.

Операції з шліфування та зачищення

мал.14

ЗАВЖДИ міцно тримайте інструмент однією рукою за задню ручку, а другою - за бокову. Увімкніть інструмент та притуліть диск до деталі.

Взагалі край диска слід тримати під кутом біля 15 градусів до поверхні деталі.

Під час притирання нового диска, не треба пересувати шліфувальну машину у напрямку В, оскільки він уріжеється в деталь. Як тільки край диска був закруглений протягом використання, диск можна пересувати як в напрямку "А", так і в напрямку "В".

Виконання робіт із чашоподібною дротяною щіткою (додаткове приладдя)

⚠ОБЕРЕЖНО:

- Перевірте роботу щітки шляхом запуску інструмента на холостому ході, попередньо переконавшись, що нікого немає перед щіткою або поряд з нею.
- Не використовуйте пошкоджену або розбалансовану щітку. Використання пошкодженої щітки може збільшити ризик отримання травм через контакт з дротами пошкодженої щітки.

мал.15

Вимкніть інструмент та розташуйте його шпindelем догори, щоб забезпечити доступ до шпindelя. Зніміть будь-яке приладдя зі шпindelя. Встановіть чашоподібну дротяну щітку на шпindelь та затягніть за допомогою гайкового ключа, що входить до комплекту постачання. Під час використання щітки не натискайте на неї занадто сильно, тому що це може призвести до згинання дротів і, як наслідок, до передчасного пошкодження.

Виконання робіт із дисковою дротяною щіткою (додаткове приладдя)

⚠ОБЕРЕЖНО:

- Переверте роботу дискової дротяної щітки шляхом запуску інструмента на холостому ході, попередньо переконавшись, що нікого немає перед дисковою дротяною щіткою або поряд з нею.
- Не використовуйте пошкоджену або розбалансовану дискову дротяну щітку. Використання пошкодженої дискової дротяної щітки може збільшити ризик отримання травм через контакт з пошкодженими дротами.
- Із дисковою дротяною щіткою ЗАВЖДИ використовуйте захисний кожух, діаметр якого дозволяє вставити щітку. Під час використання щітка може зламатися, захисний кожух в цьому випадку зменшує ризик поранення.

мал.16

Вимкніть інструмент та розташуйте його шпинделем дгори, щоб забезпечити доступ до шпинделя. Зніміть будь-яке приладдя зі шпинделя. Накрутіть дискову дротяну щітку на шпиндель та затягніть за допомогою ключа.

Під час використання дискової дротяної щітки не натискайте на неї занадто сильно, тому що це може призвести до згинання дротів і, як наслідок, до передчасного пошкодження.

Виконання робіт із абразивним відрізним диском / алмазним диском (додаткове приладдя)

⚠УВАГА:

- Під час застосування абразивного відрізного диска/алмазного диска обов'язково використовуйте тільки спеціальні захисні кожухи диска, розроблені для використання з відрізними дисками (у країнах Європи під час застосування алмазного диска можна використовувати звичайний захисний кожух).
- ЗАБОРОНЕНО використовувати відрізнiй диск для бокового шліфування.
- Не можна «заклинювати» диск або прикладати до нього надмірний тиск. Не слід намагатись зробити проріз глибини. Перенапруга диска збільшує навантаження та схильність до перекошування або застрявання диска в прорізі, а також створює можливість віддачі або поломки диска, при цьому може перегрітись мотор.
- Заборонено заново запускати операцію різання, коли диск знаходиться в деталі. Спочатку диск повинен набрати повної швидкості, а потім його слід обережно повернути в проріз, пересуваючи інструмент по поверхні деталі. Якщо інструмент перезапустити, коли диск знаходиться в деталі,

диск може застрягти, підскочити або спричинити віддачу.

- Під час різання заборонено міняти кут диска. Прикладання бокового тиску до відрізного диска (як під час шліфування) призведе до розтріскування та поломки диска та серйозних поранень.
- Алмазний диск під час роботи потрібно перпендикулярно прикладати до робочої поверхні.

Встановіть внутрішній фланець на шпиндель. Встановіть диск на внутрішній фланець та наверніть контргайку на шпиндель.

мал.17

Для Австралії та Нової Зеландії

Встановлення або зняття абразивного відрізного диска / алмазного диска (додаткове приладдя)

мал.18

ТЕХНІЧНЕ ОБСЛУГОВУВАННЯ

⚠ОБЕРЕЖНО:

- Перед тим, як оглянути інструмент, або виконати ремонт, переконайтеся, що він вимкнений та відключений від мережі.
- Ніколи не використовуйте газолін, бензин, розріджувач, спирт та подібні речовини. Їх використання може призвести до зміни кольору, деформації та появи тріщин.

мал.19

Інструмент та його вентиляційні отвори слід тримати в чистоті. Треба регулярно чистити вентиляційні отвори інструмента, або коли вони забиваються.

Заміна вугільних щіток

мал.20

Коли ізолюючий смольний наконечник всередині графітової щітки контактує з комутатором, він автоматично зупиняє мотор. Якщо таке трапилось, слід замінити обидві графітові щітки. Графітові щітки слід тримати чистими та незаблокованими, щоб вони могли заходити в держак. Обидві графітові щітки слід замінити разом. Можна використовувати тільки такі ж щітки.

мал.21

Для видалення ковпачків щіткотримачів користуйтеся викруткою. Видаліть зношені вугільні щітки, вставте нові та закріпіть ковпачки щіткотримачів.

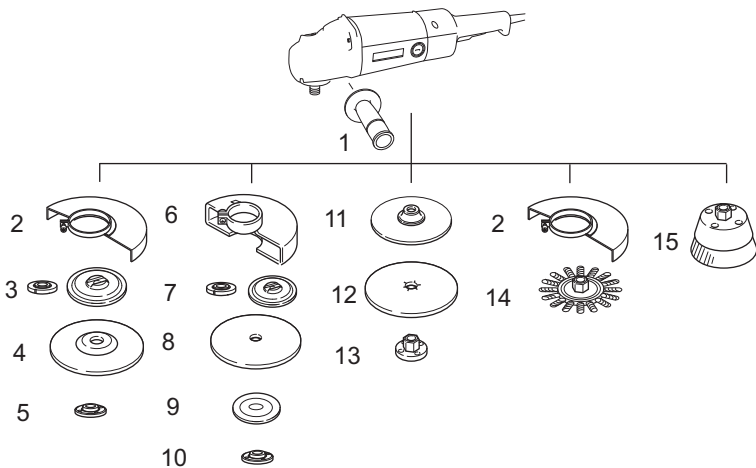
Для того, щоб підтримувати БЕЗПЕКУ та НАДІЙНІСТЬ, ремонт, технічне обслуговування або регулювання мають виконувати уповноважені центри обслуговування "Макіта", де використовуються лише стандартні запчастини "Макіта".

ДОДАТКОВЕ ПРИЛАДДЯ

ОБЕРЕЖНО:

- Це оснащення або приладдя рекомендовано для використання з інструментами "Макіта", що описані в інструкції з експлуатації. Використання якогось іншого оснащення або приладдя може спричинити травмування. Оснащення або приладдя слід використовувати лише за призначенням.

У разі необхідності, отримати допомогу в більш детальному ознайомленні з оснащенням звертайтеся до місцевого Сервісного центру "Макіта".



1	Бокова рукоятка
2	Захисний кожух для шліфувального диска з поглибленим центром / універсального диска / дискової дротяної щітки
3	Внутрішній фланець / Суперфланець / Внутрішній фланець 102 (тільки для Австралії та Нової Зеландії)
4	Абразивний диск з увігнутим центром / Багатоцільовий диск
5	Стопорна гайка / Ezynut*1
6	Захисний кожух для абразивного відрізного диска / алмазного диска*2
7	Внутрішній фланець / Суперфланець / Внутрішній фланець 78 (тільки для Австралії та Нової Зеландії)
8	Абразивний відрізнаючий диск / Алмазний диск
9	Внутрішній фланець 78 (тільки для Австралії та Нової Зеландії)*3
10	Стопорна гайка / Ezynut*1
11	Гумова підкладка
12	Абразивний диск
13	Шліфувальна стопорна гайка
14	Дискова дротяна щітка
15	Чашоподібна дротяна щітка
—	Ключ для контргайки
—	Пилозахисна кришка

*1 Не використовуйте суперфланець із гайкою Ezynut.

*2 У країнах Європи під час використання алмазного диска замість спеціального захисного кожуха, що закриває диск з двох боків, можна використовувати звичайний захисний кожух.

*3 Використовуйте внутрішній фланець 78 із зовнішнім фланцем 78 (тільки для Австралії та Нової Зеландії).

011513

ПРИМІТКА:

- Деякі елементи списку можуть входити до комплекту інструмента як стандартне приладдя.

Вони можуть відрізнятися залежно від країни.

Makita Jan-Baptist Vinkstraat 2, 3070, Belgium
Makita Corporation Anjo, Aichi, Japan